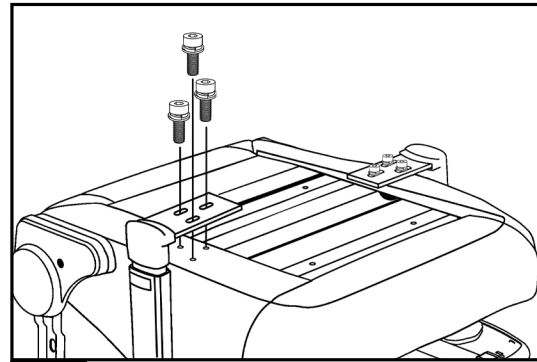
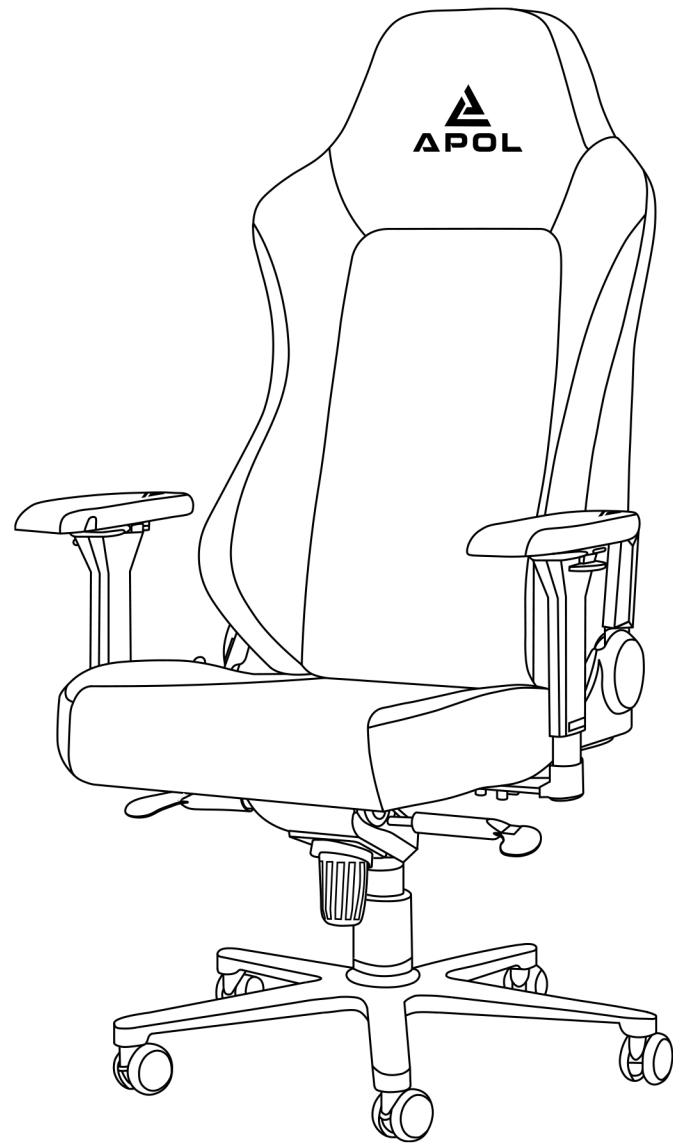
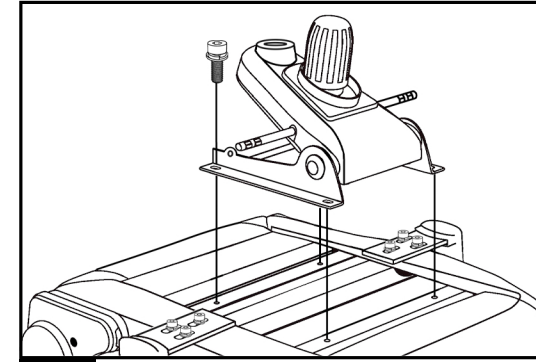


MANUAL GUIDE

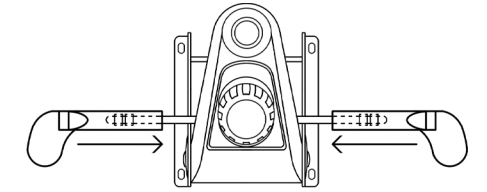


1 Line up the armrests with the holes and use the allen key to screw the M8 screws into the seat base.



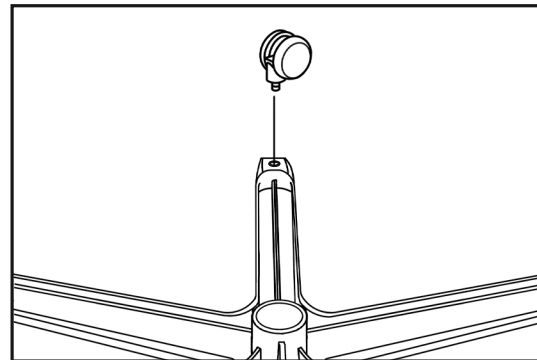
2 Align the tilting mechanism with the holes in the seat base in correspondence with the reference image. Proceed to screw in the M8 screws with the allen key.

RECLINER SIDE

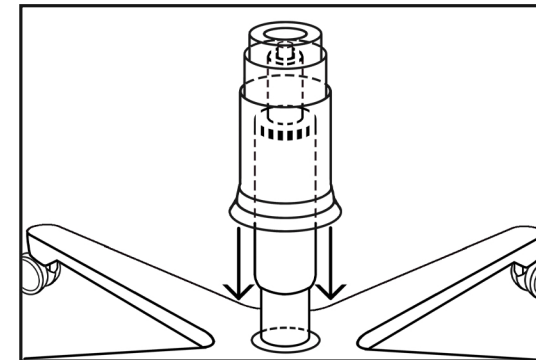


FRONT SIDE

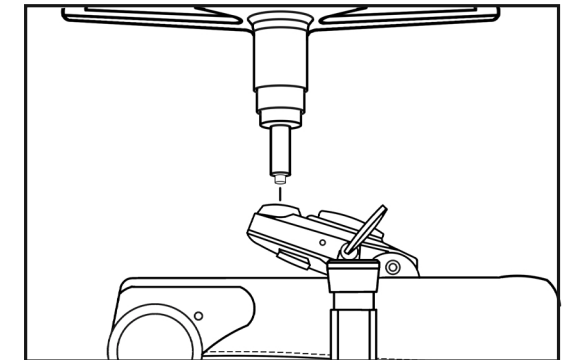
3 Insert both levers into the tilting mechanism as shown. Please ensure that the levers are facing the right direction as shown.



4 Turn the wheel base over. Insert and push the wheels into the base.

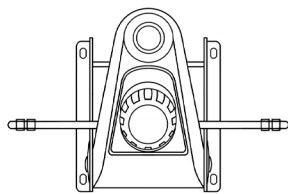


5 With the tip of the gas lift facing upwards, insert the gas lift into the hole of the wheelbase. Slide the sleeve over the gas lift.

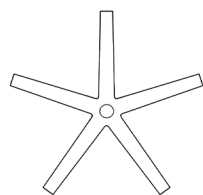


6 Line up the gas lift with the hole at the bottom of the tilting mechanism and then insert it.

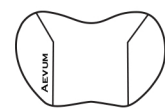
CONTENTS



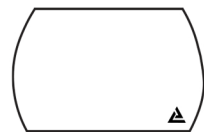
1 x Tilting Mechanism



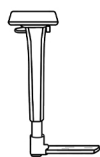
1 x Aluminium Wheelbase



1 x Headrest



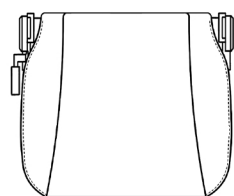
1 x Lumbar



2 x Armrests (Pre-installed)



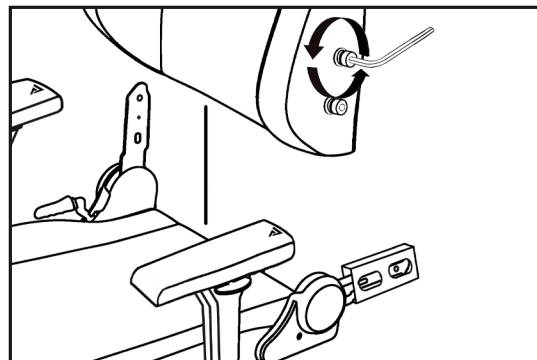
1 x Backrest



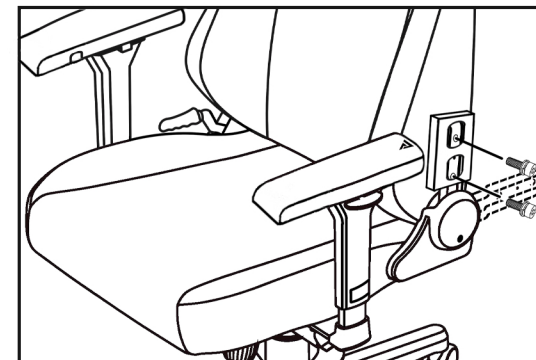
1 x Seatbase



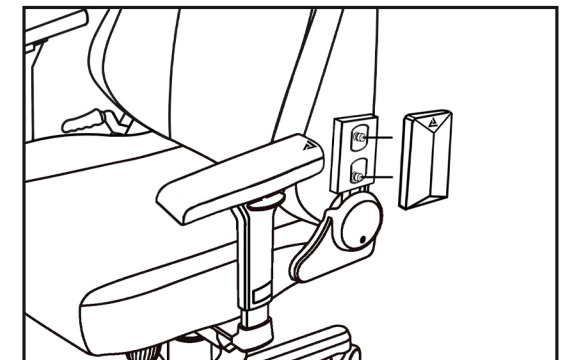
1 x Accessories Kit



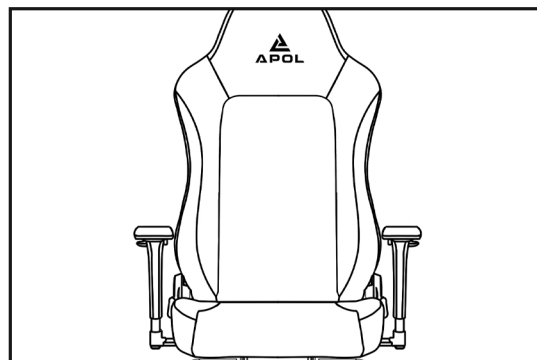
7 Ensure that the seatbase is firmly attached to the gas lift, then lift the seatbase over and remove the screws in the backrest using the allen key.



8 Shift the recliner in an upward position, while ensuring that its holes line up with the screw holes of the backrest. Use the allen key to screw back the previously removed screws.



9 Install and secure the side covers by pressing the side covers into the metal recliner until you hear a click sound.



10 Congratulations! The setup of your premium APOL chair is finally complete, enabling you to work and play for longer periods of time.



ADVISORY

Please read the advisory on the packaging before assembling your chair.

Please ensure that you have the contents stated on the right as they are necessary for the completion of the chair.



ASSEMBLY VIDEO

Scan this QR code for full assembly guide video.

Please contact support@apol.sg if you are experiencing issues or require any assistance.