



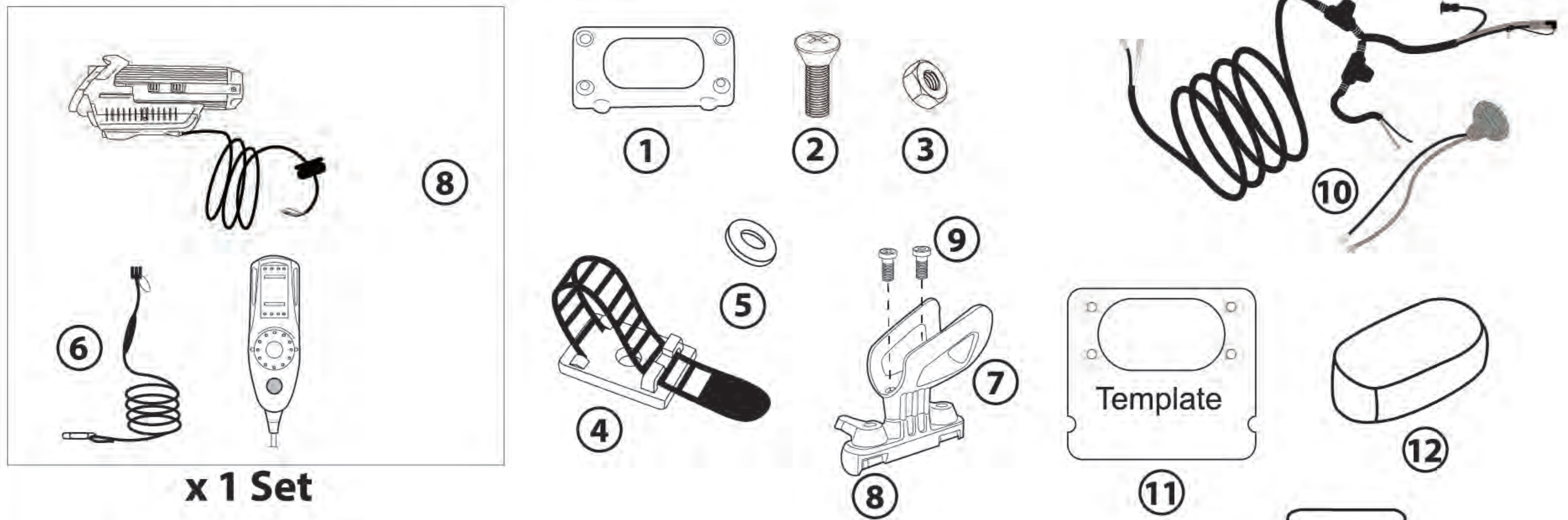
MOTORDRIVE 48V

Installation

**Instructions for Lure 11.5,
Lure 13.5 and Lure Tandem
With Overdrive Pedal System**

feelfree[®]
KAYAKS

Motordrive Included Accessories



PART LISTS

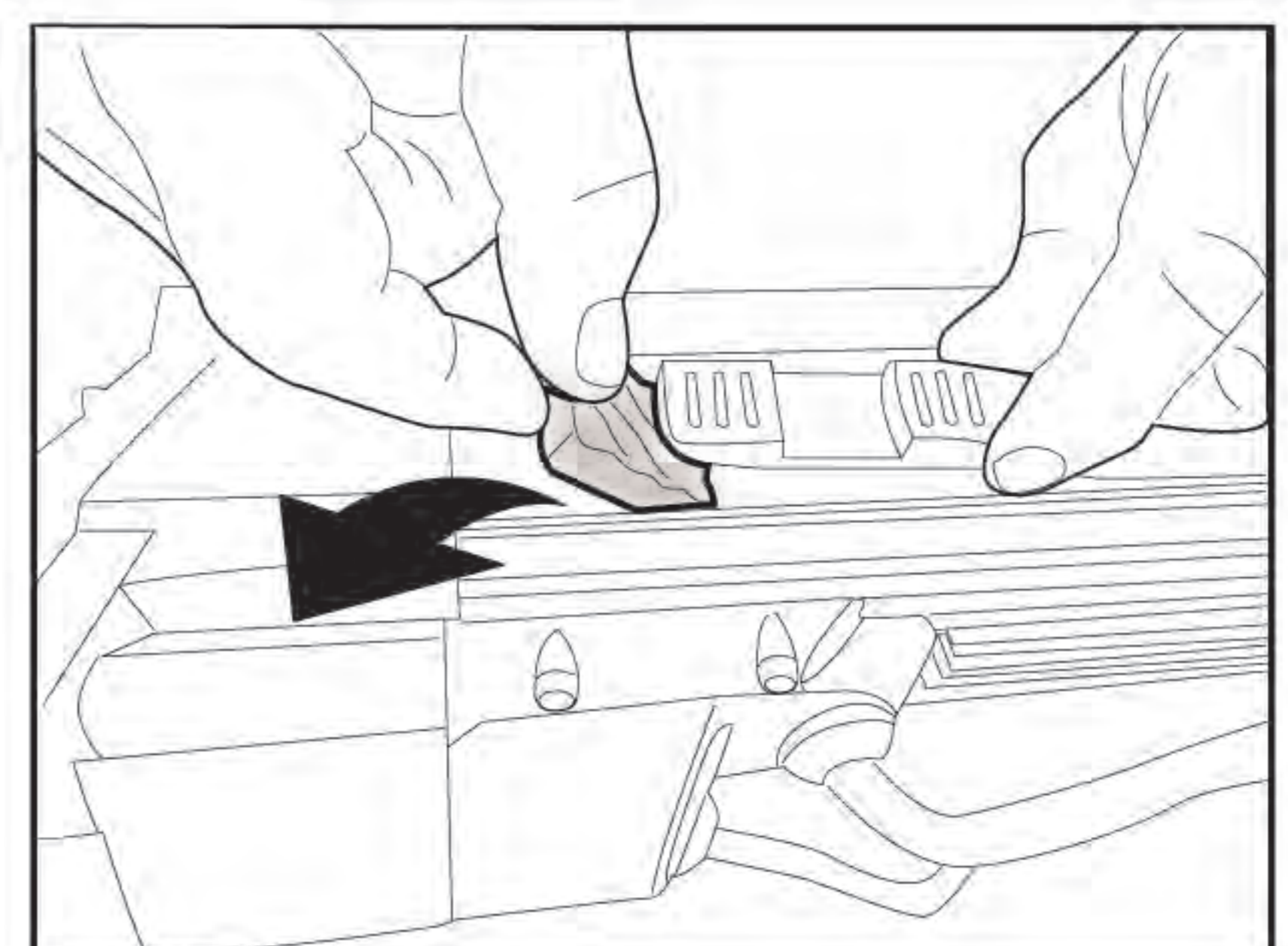
No.	Part number	Description	Qty.
1	47183	Kayak overdrive lock	1
2	50023	Screw JF-STL M5 x 25 mm	4
3	52007	Nylock STL M5 x 0.8	6
4	310106443000	Cable holder	2
5	52003	STL washer M5	4
6	47114	Kill switch	1
7	47223	Hand controller stand	1
8	86055	Overdrive fast track set	1
9	50067	Socket cap screw M6x30mm.	2
10	NA	Battery cable	1
11	NA	Template	1
12	23050	Kayak overdrive lock foam gromet	1
13	47021	Track eye	1
14	50002	Screw FH M4 x 15mm.	4
15	50022	Screw JF M5 x 20mm.	2



Before installing the motor drive, remove the pedal drive from the boat.



Remove packing support foam from behind the lock levers on each side of the motor.

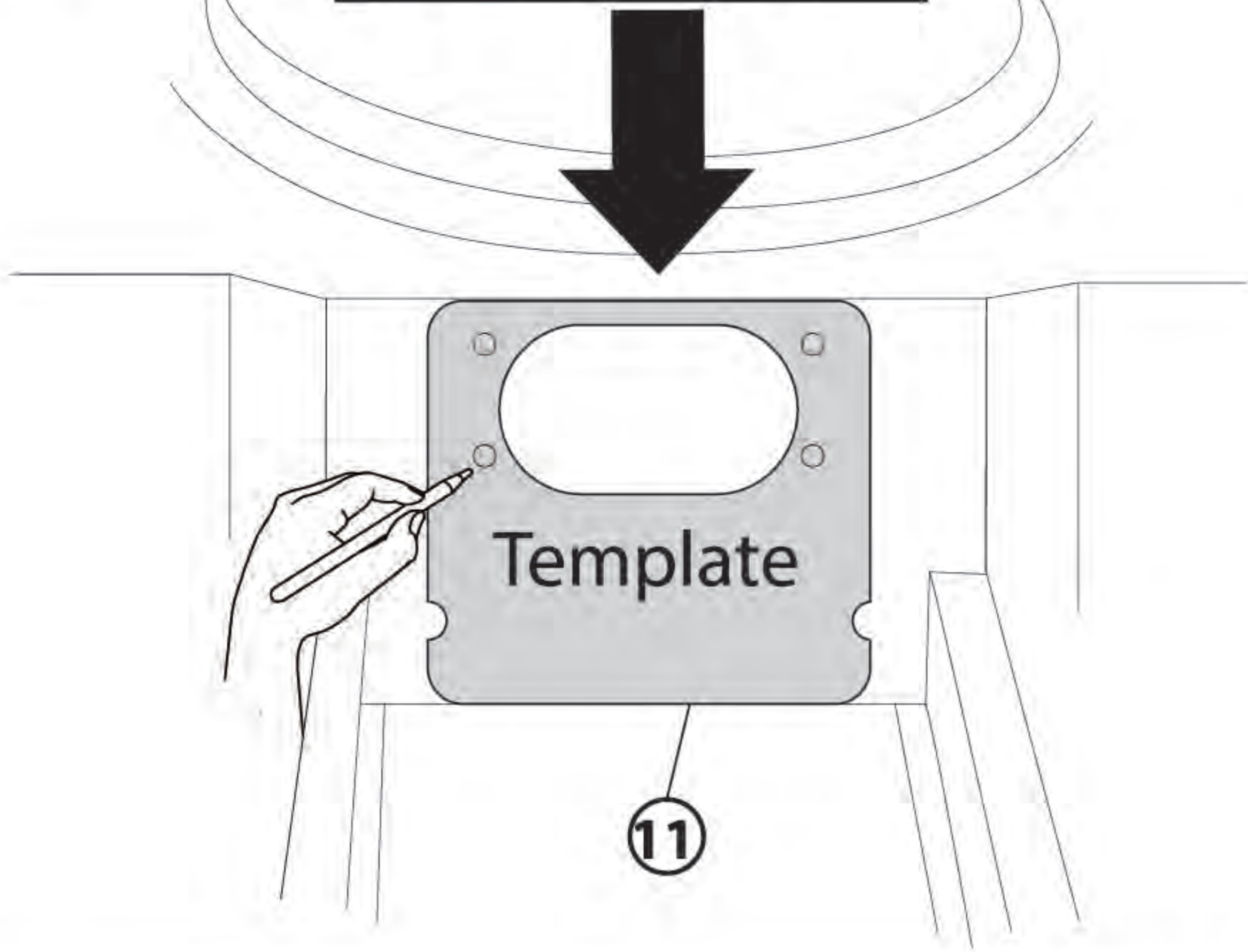


1

Motordrive install for Lure 11.5

1.1

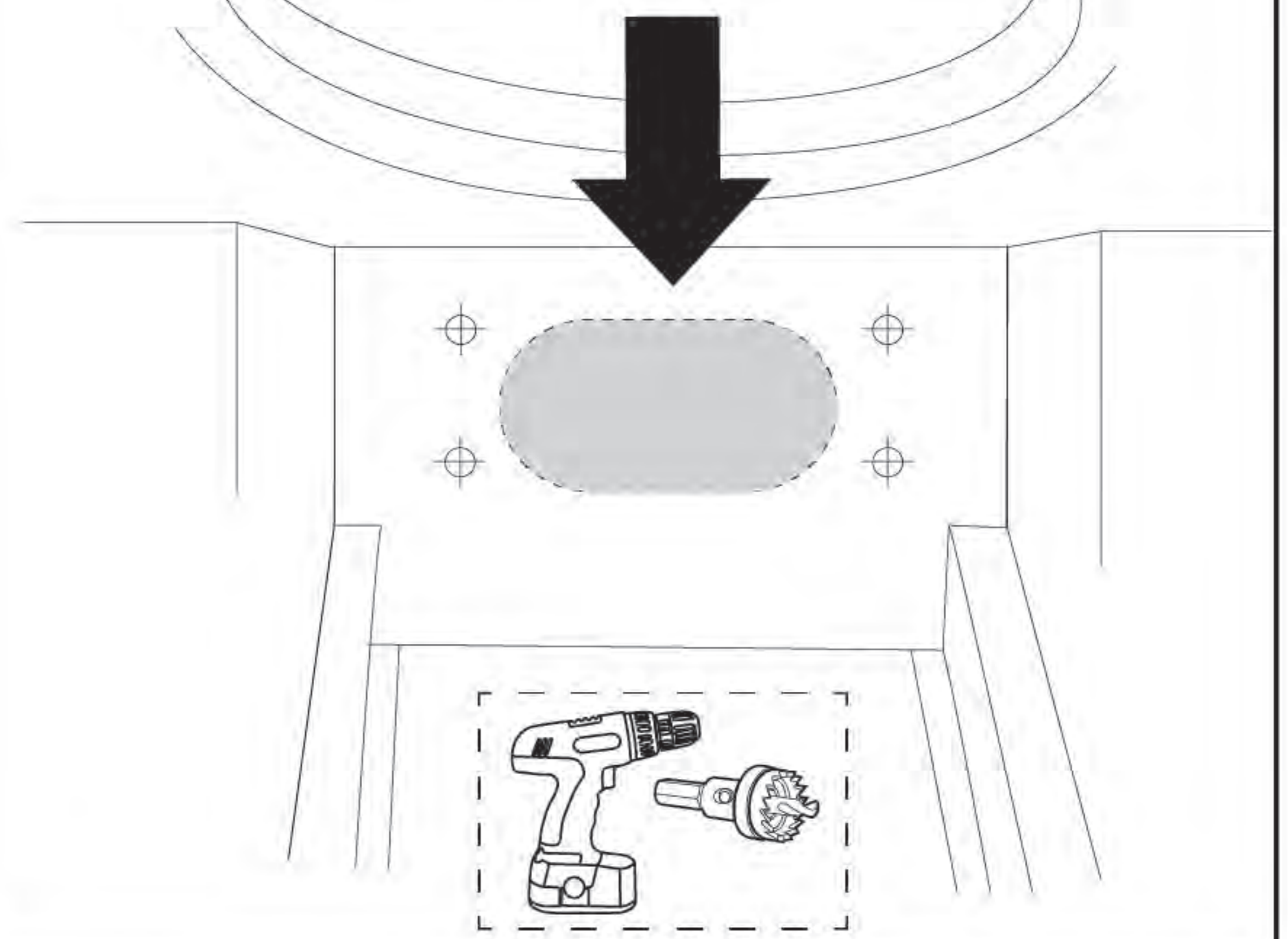
! Critical Fit



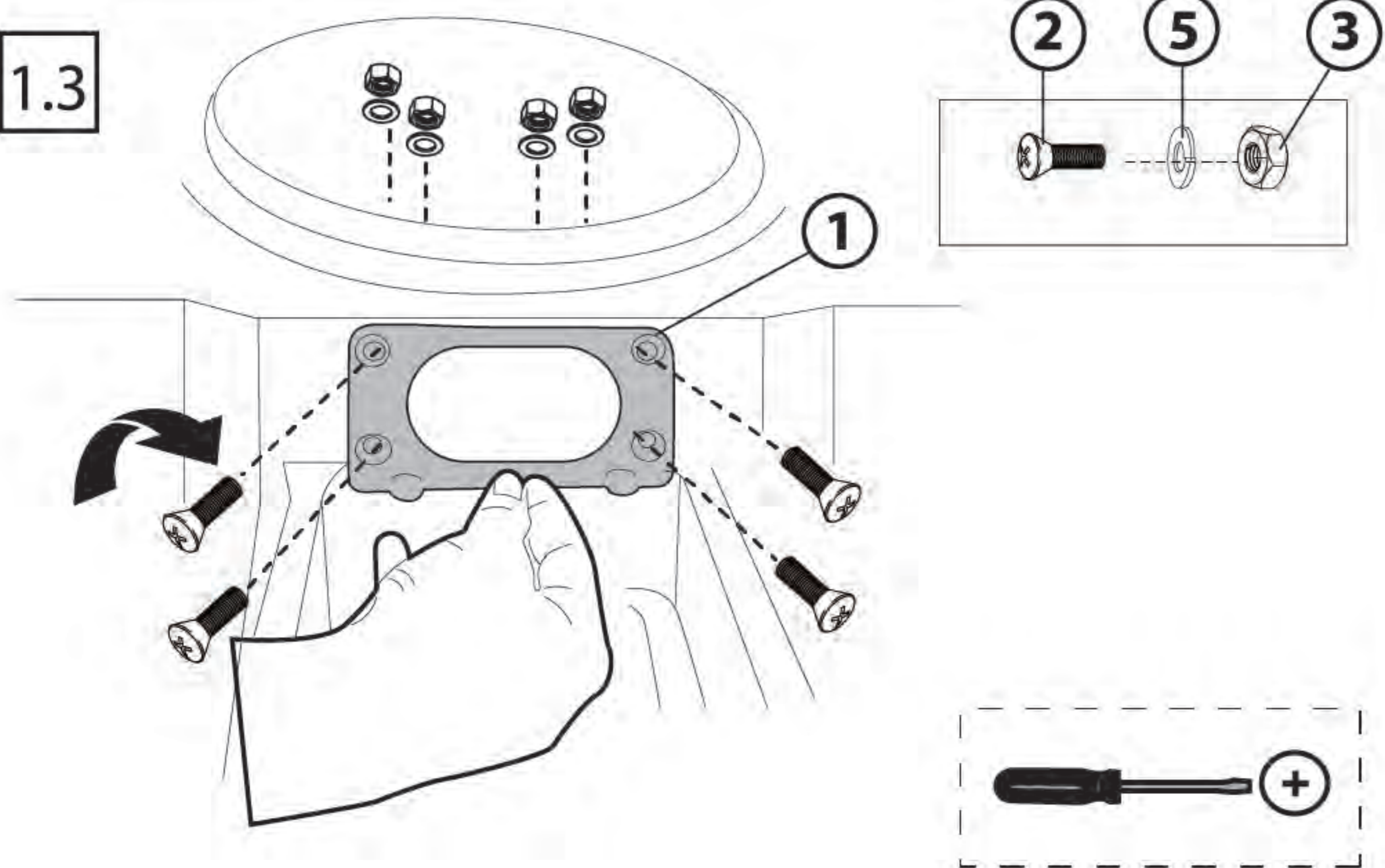
1.2

TIP

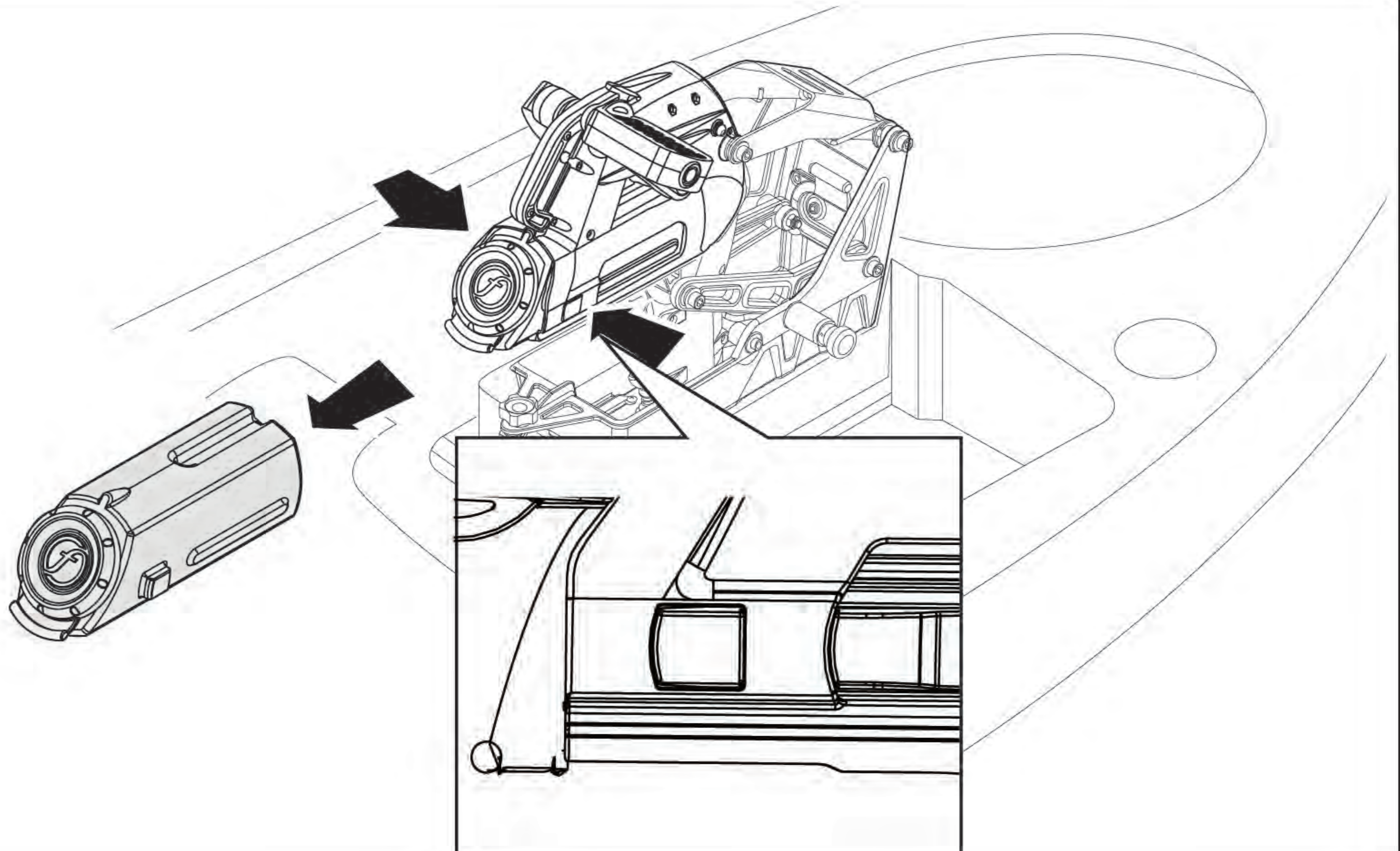
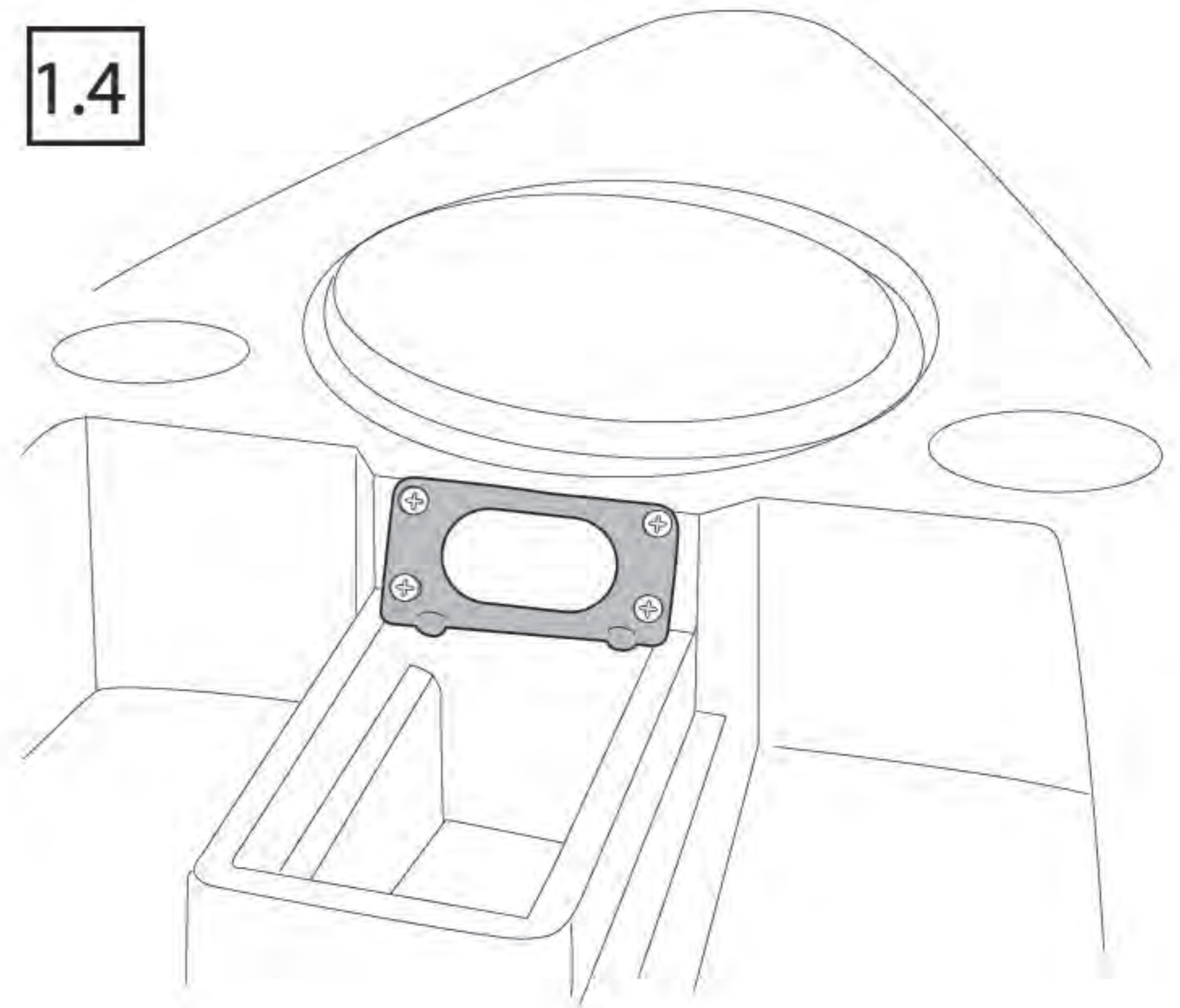
Drill corners first then cut outline



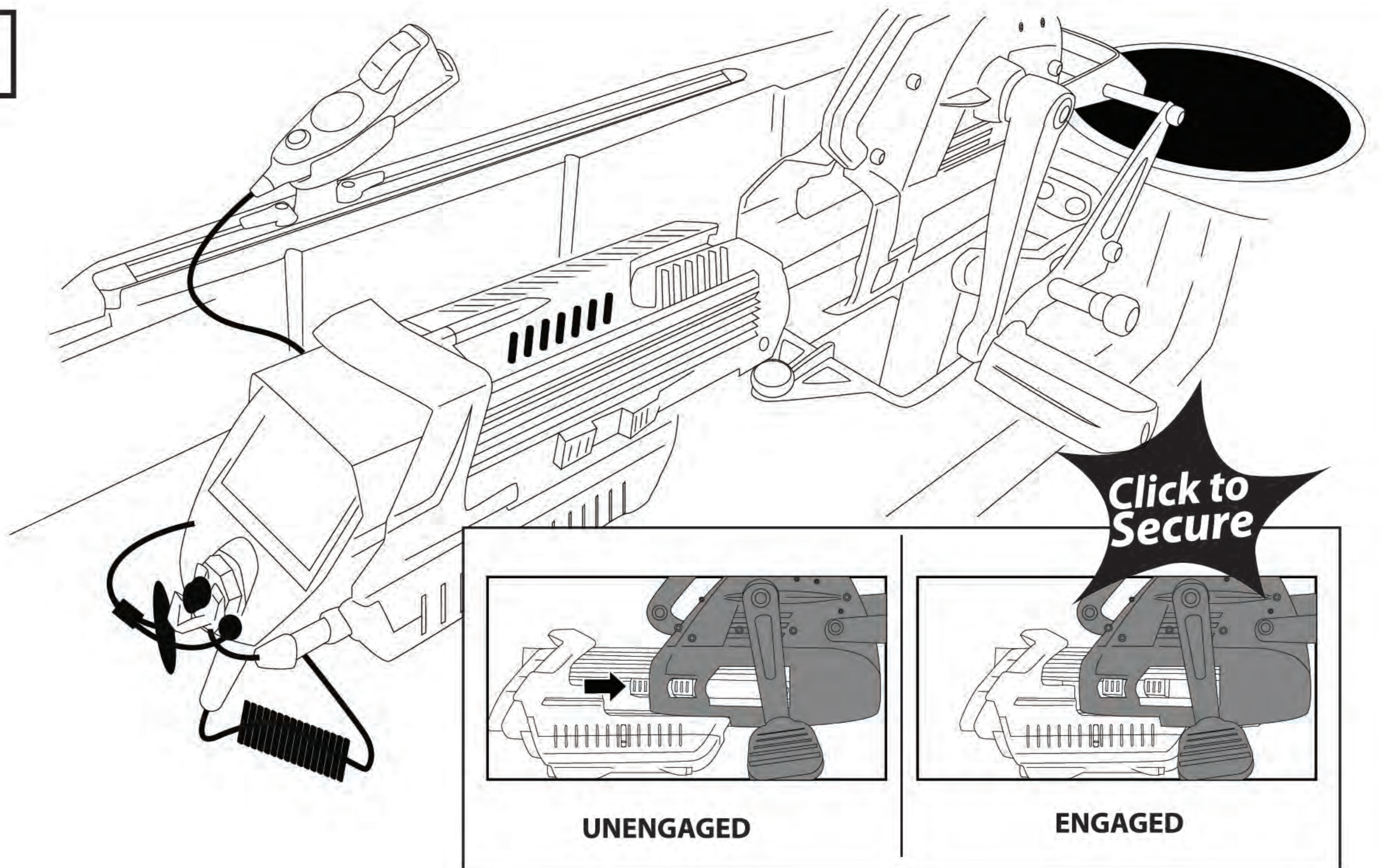
1.3



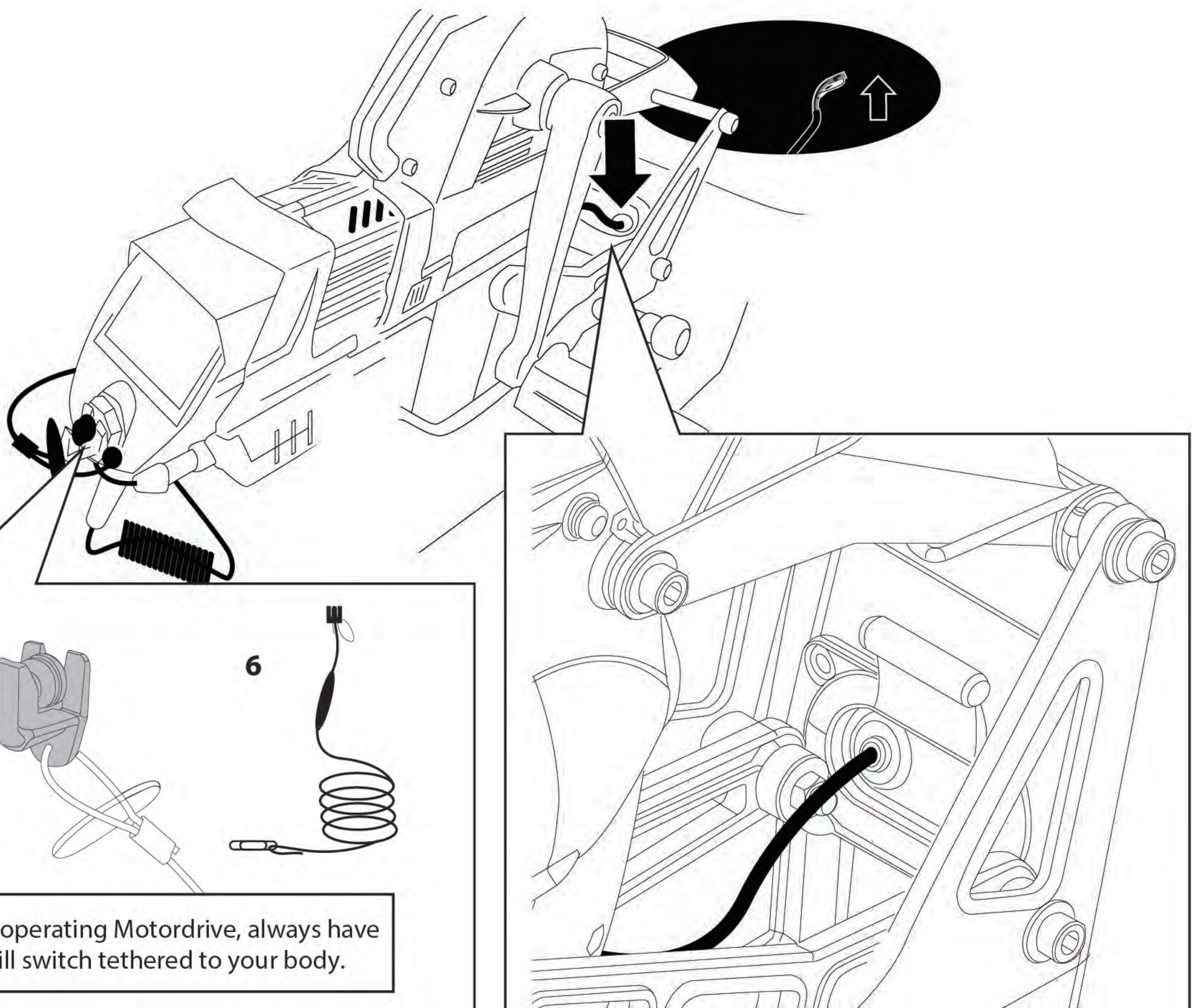
1.4



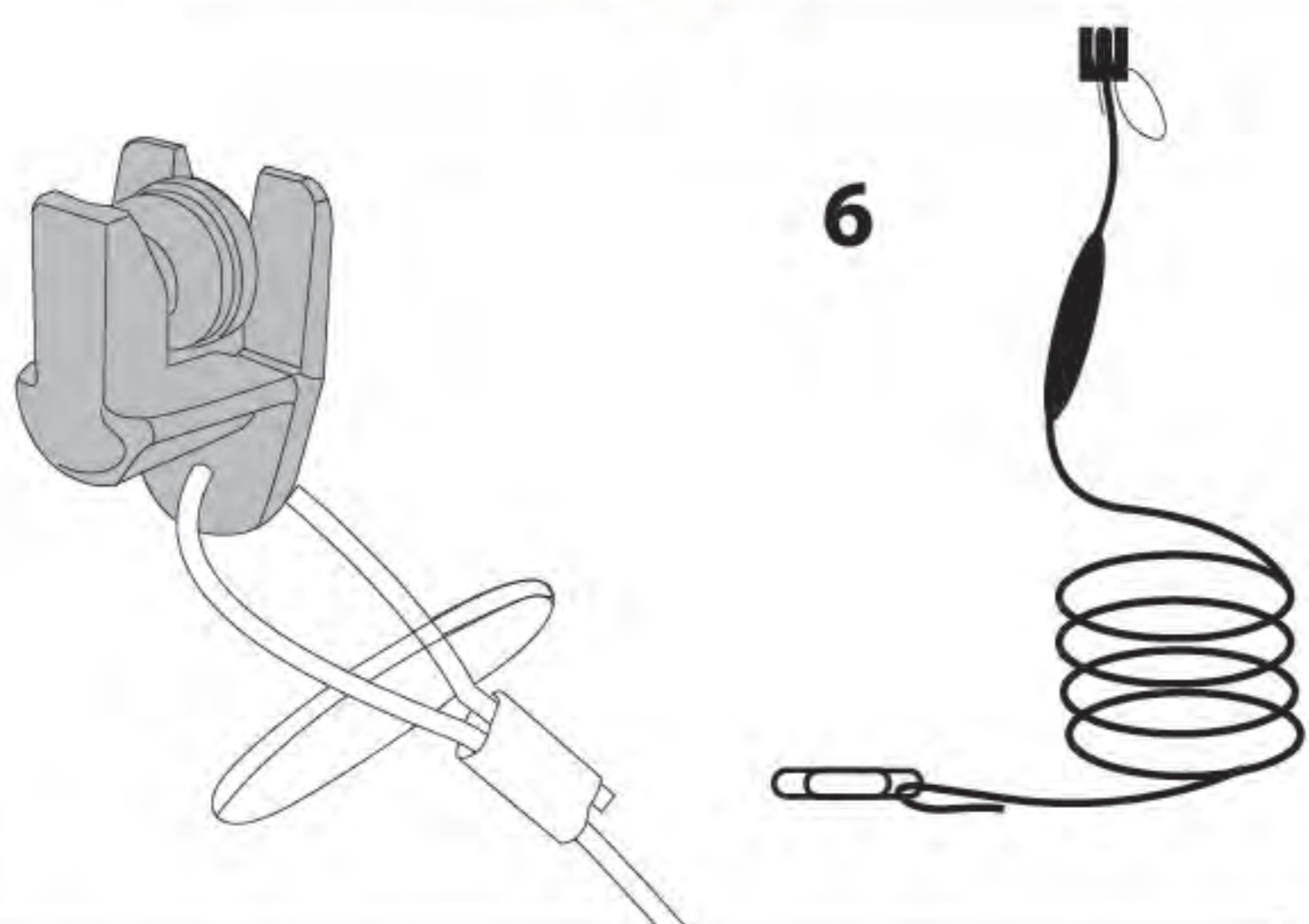
2



2.1

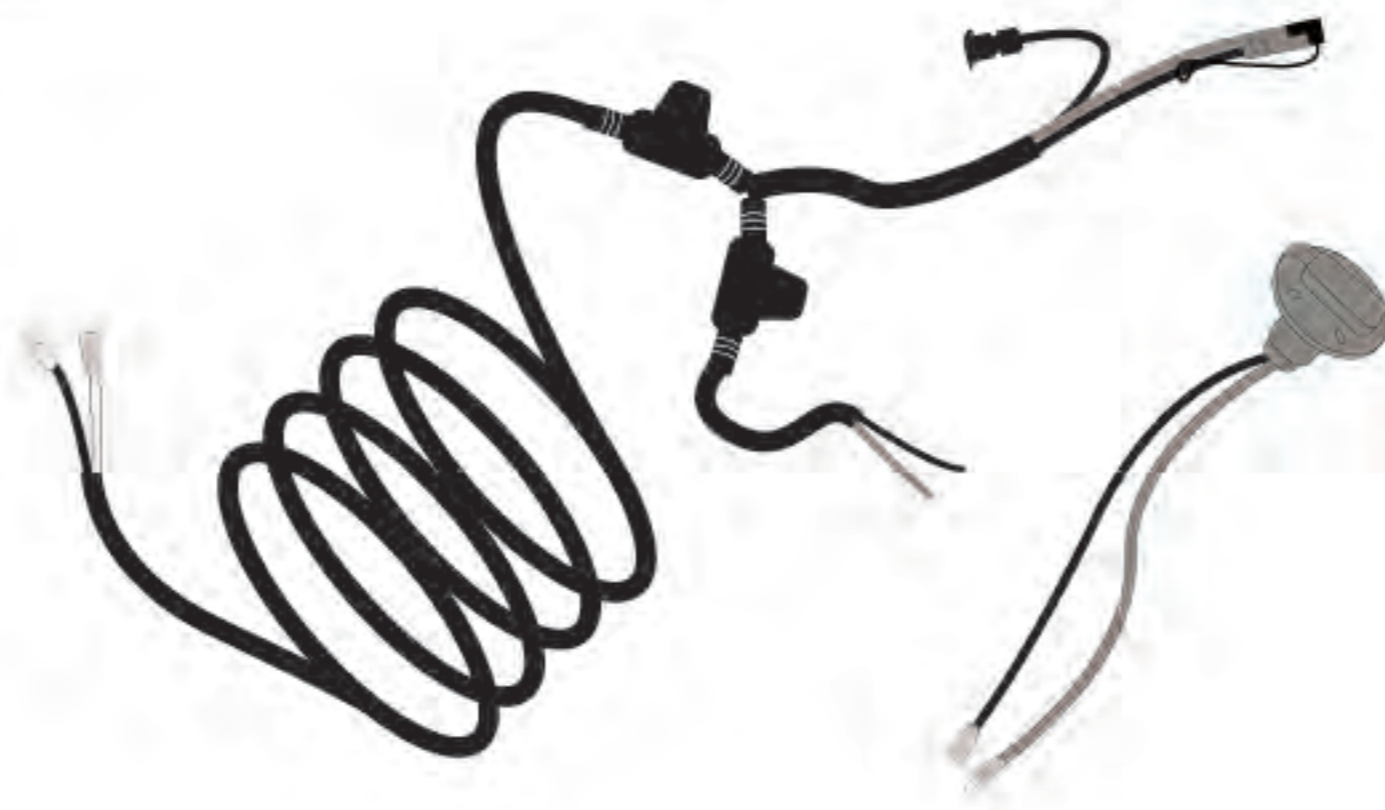


2.2



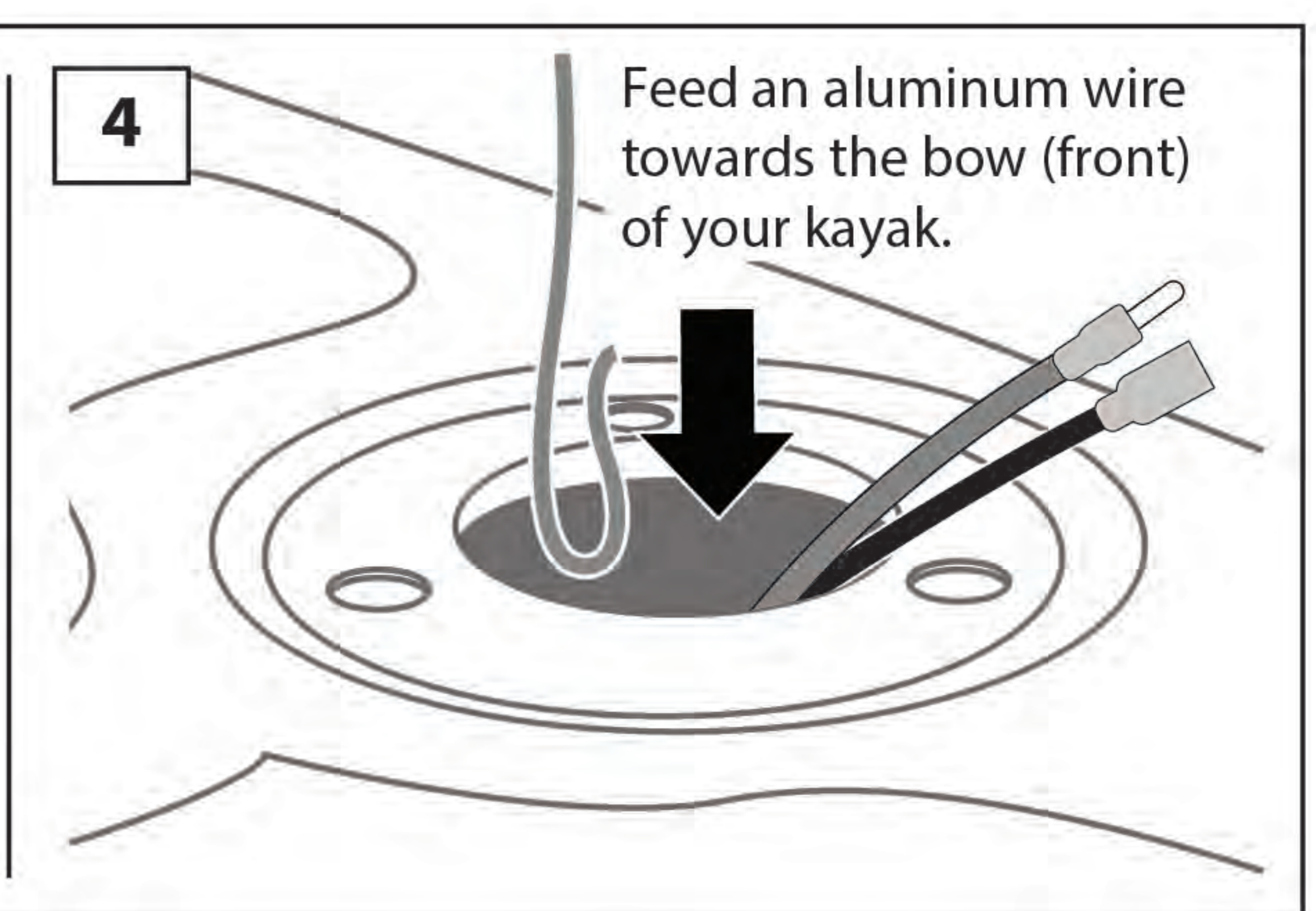
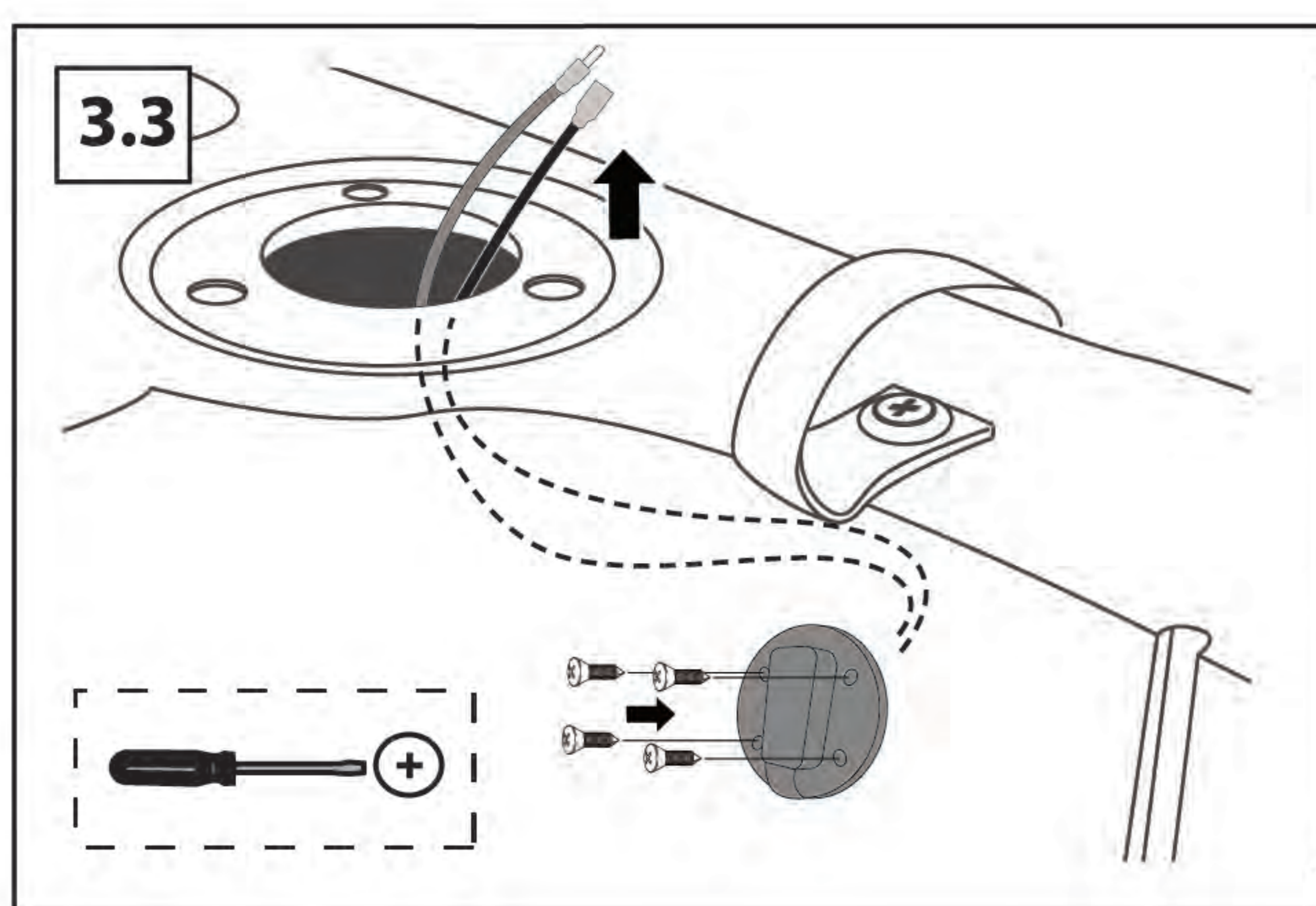
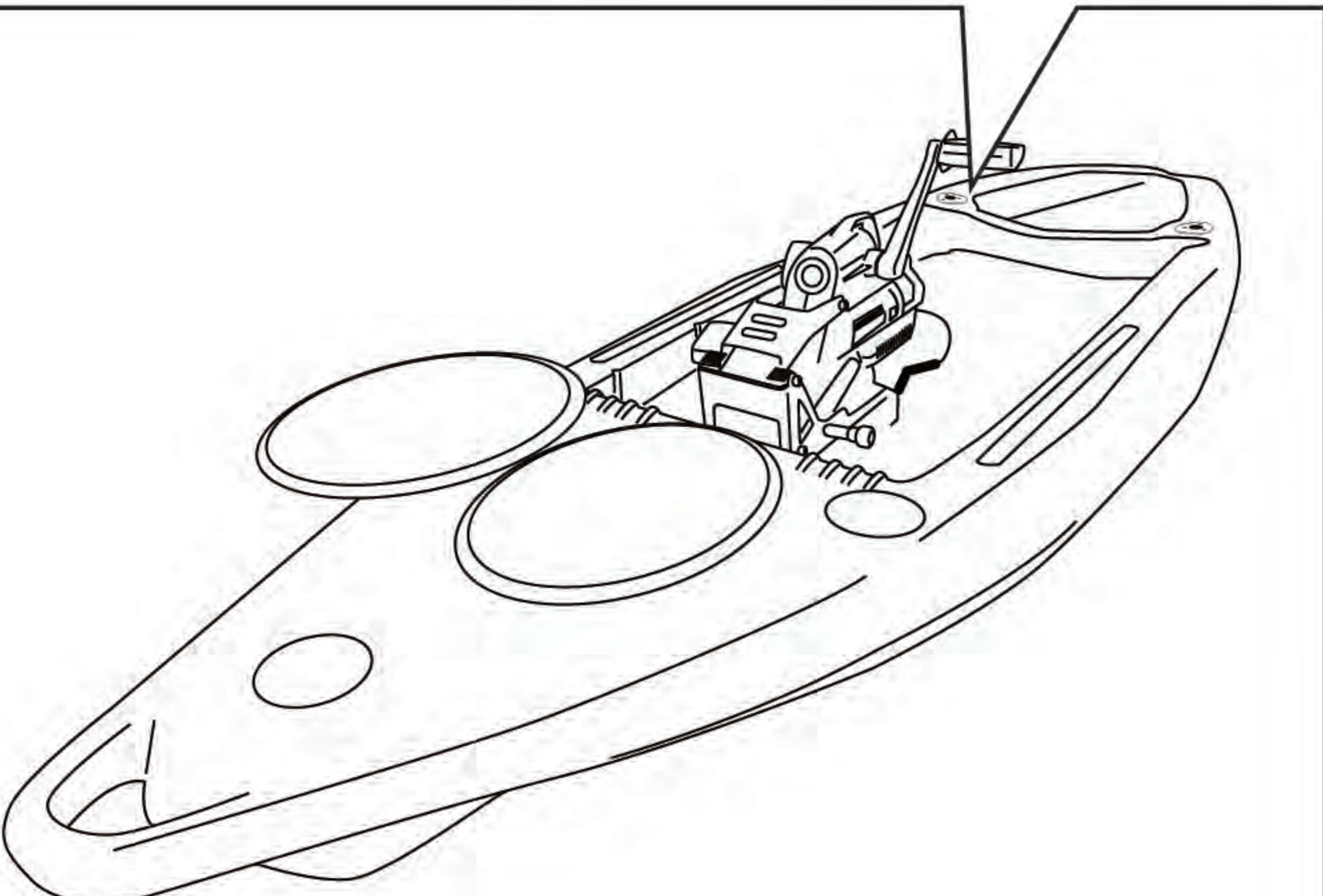
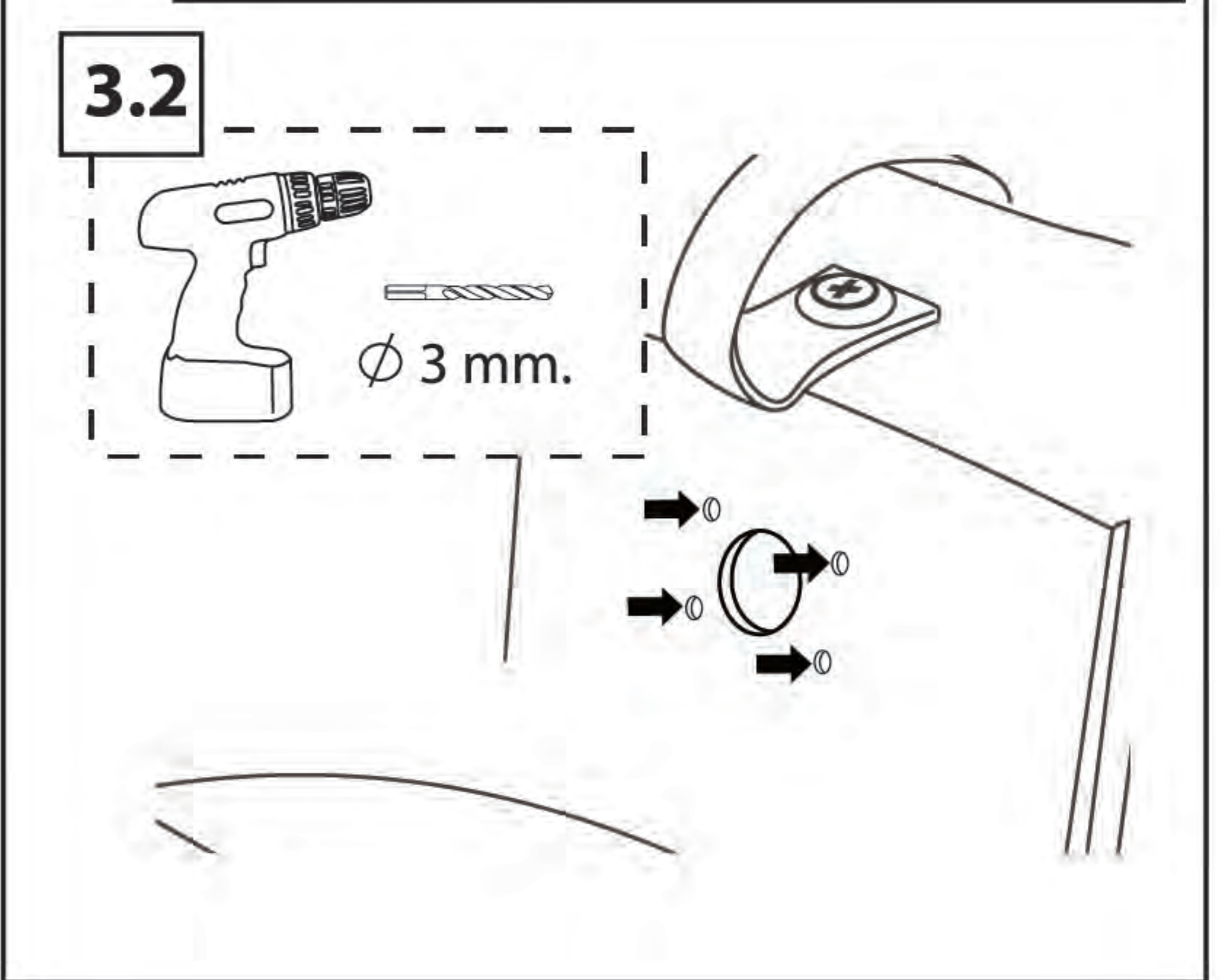
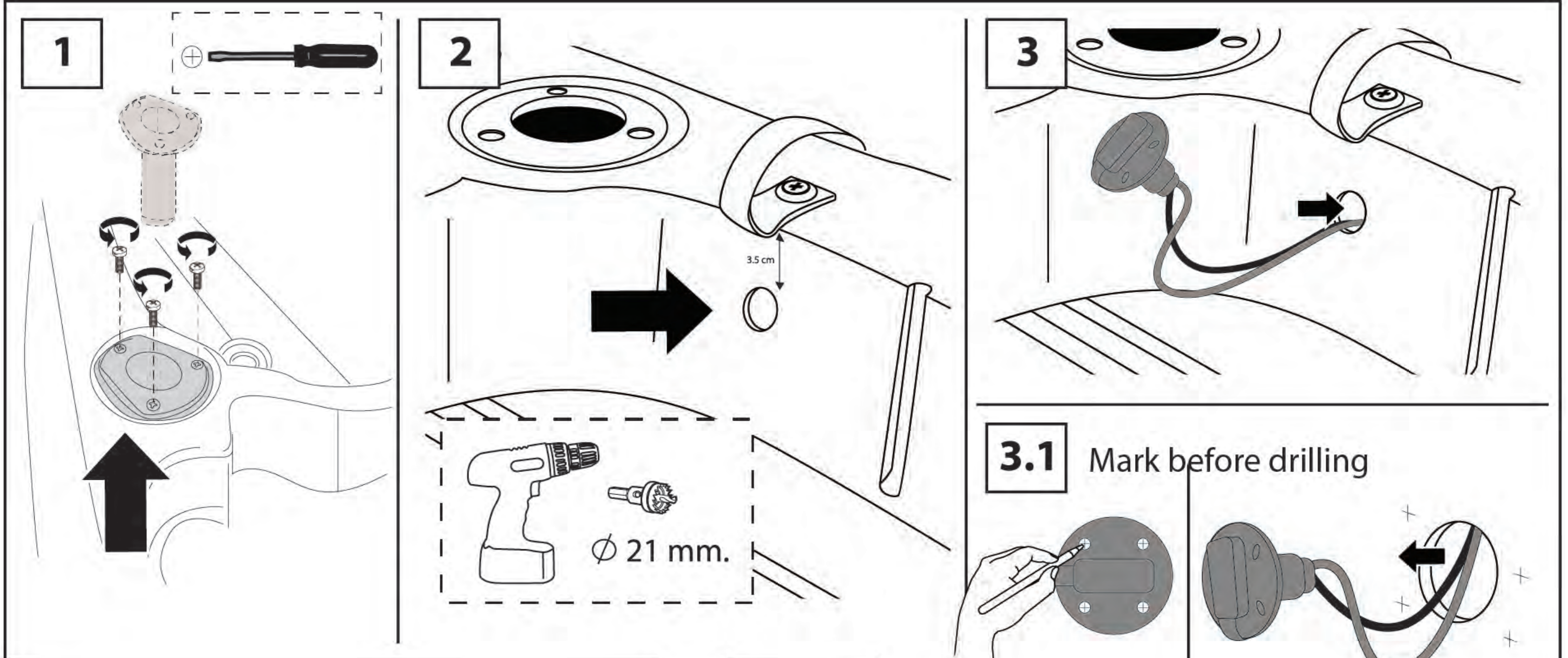
When operating Motordrive, always have your kill switch tethered to your body.

Battery Cable Installation
for Lure 11.5



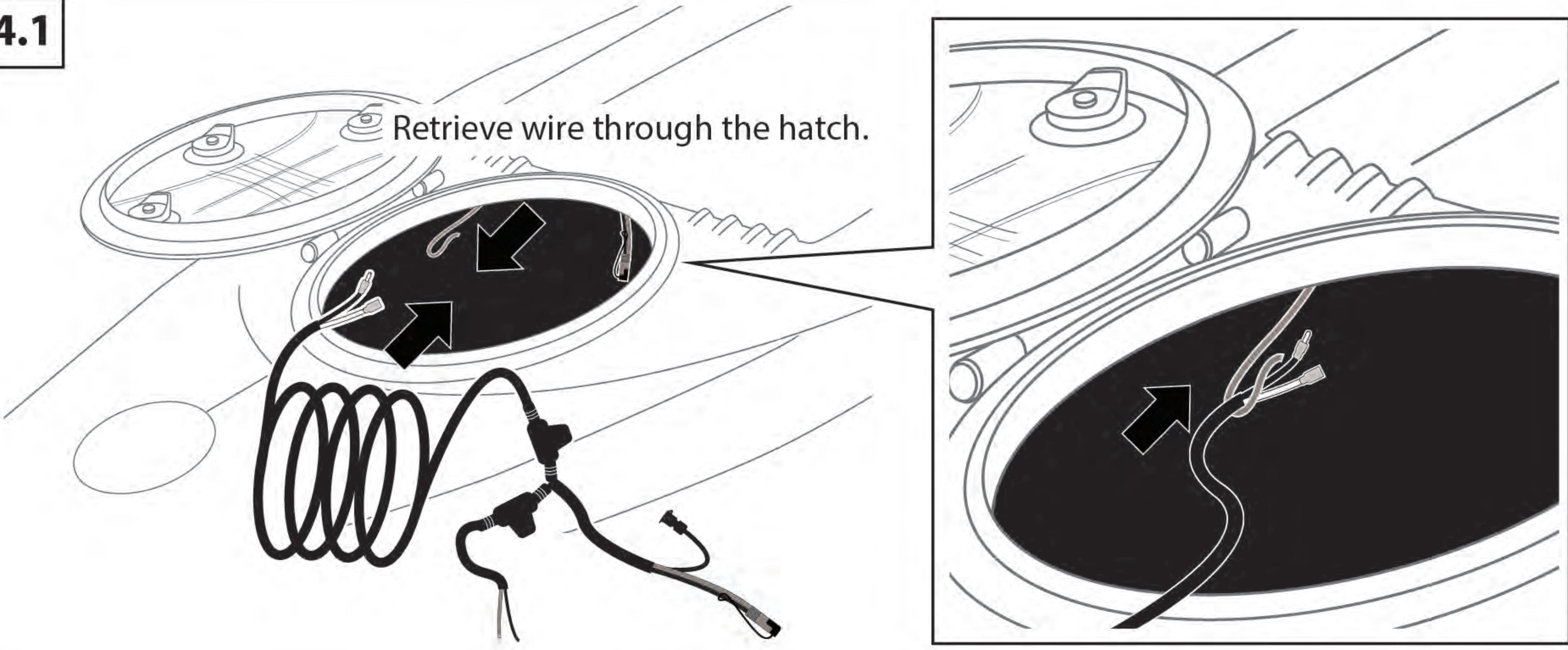
TIP.

When installing battery cable, lean your kayak on its right side

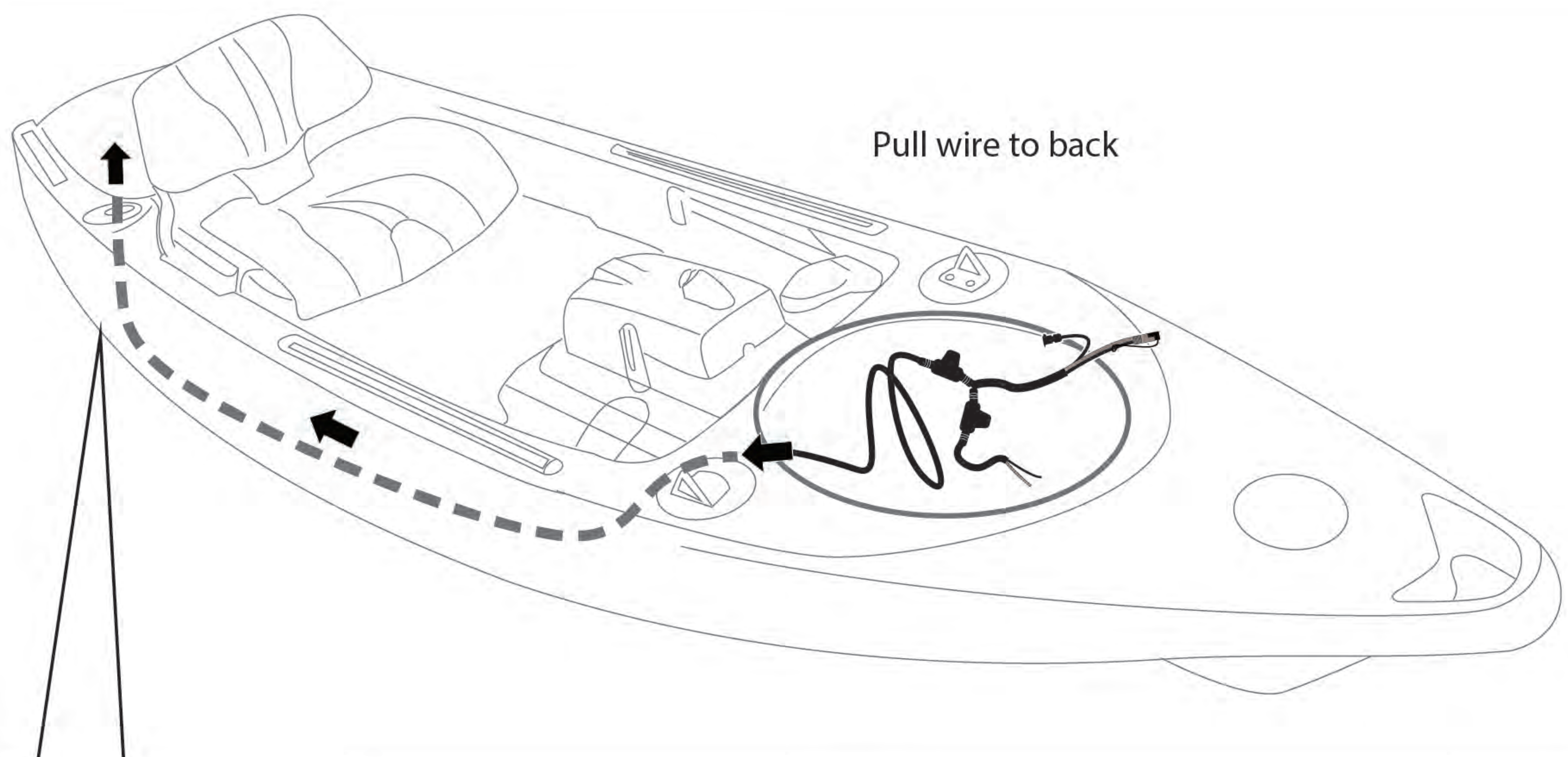


4.1

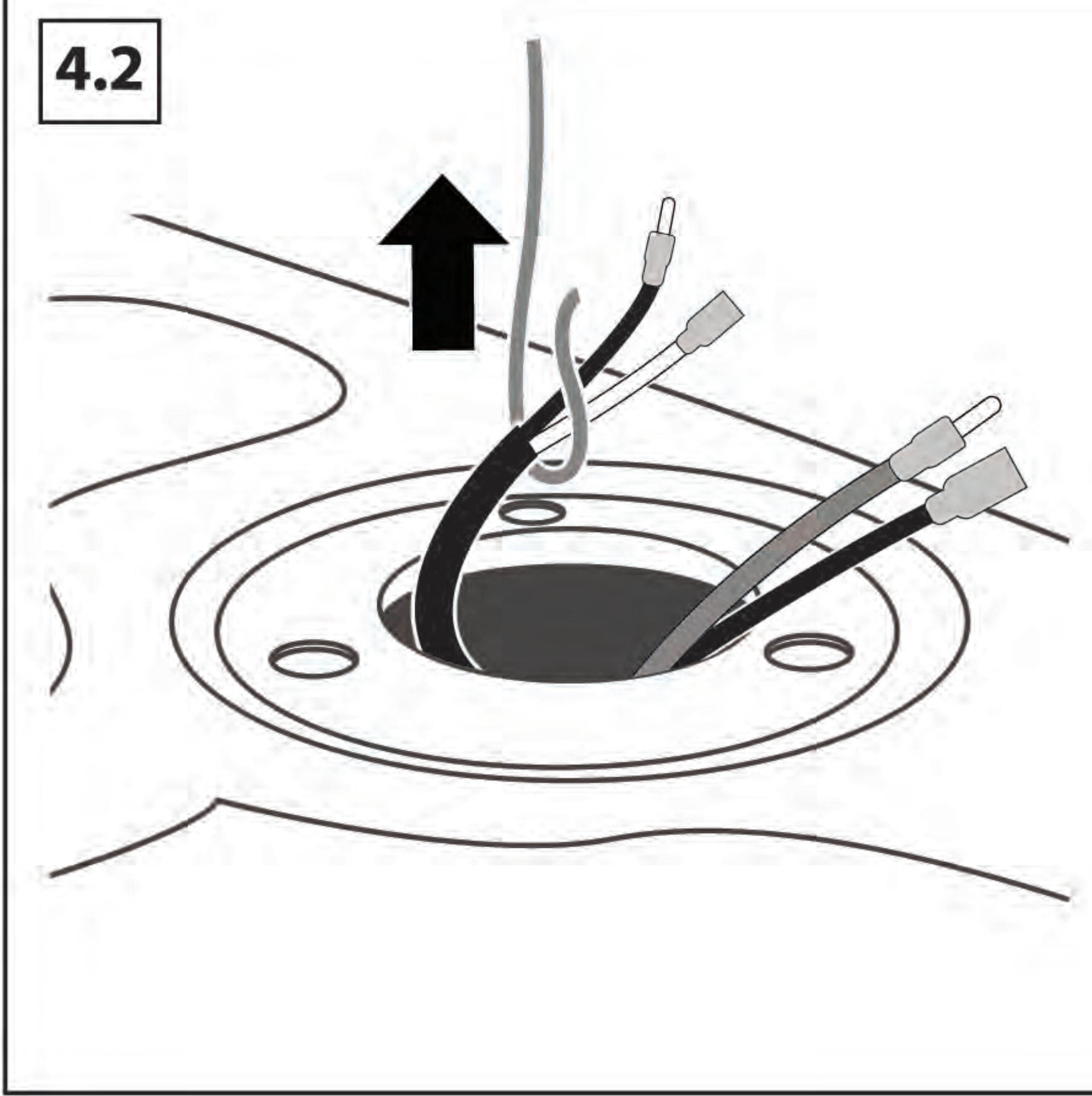
Retrieve wire through the hatch.



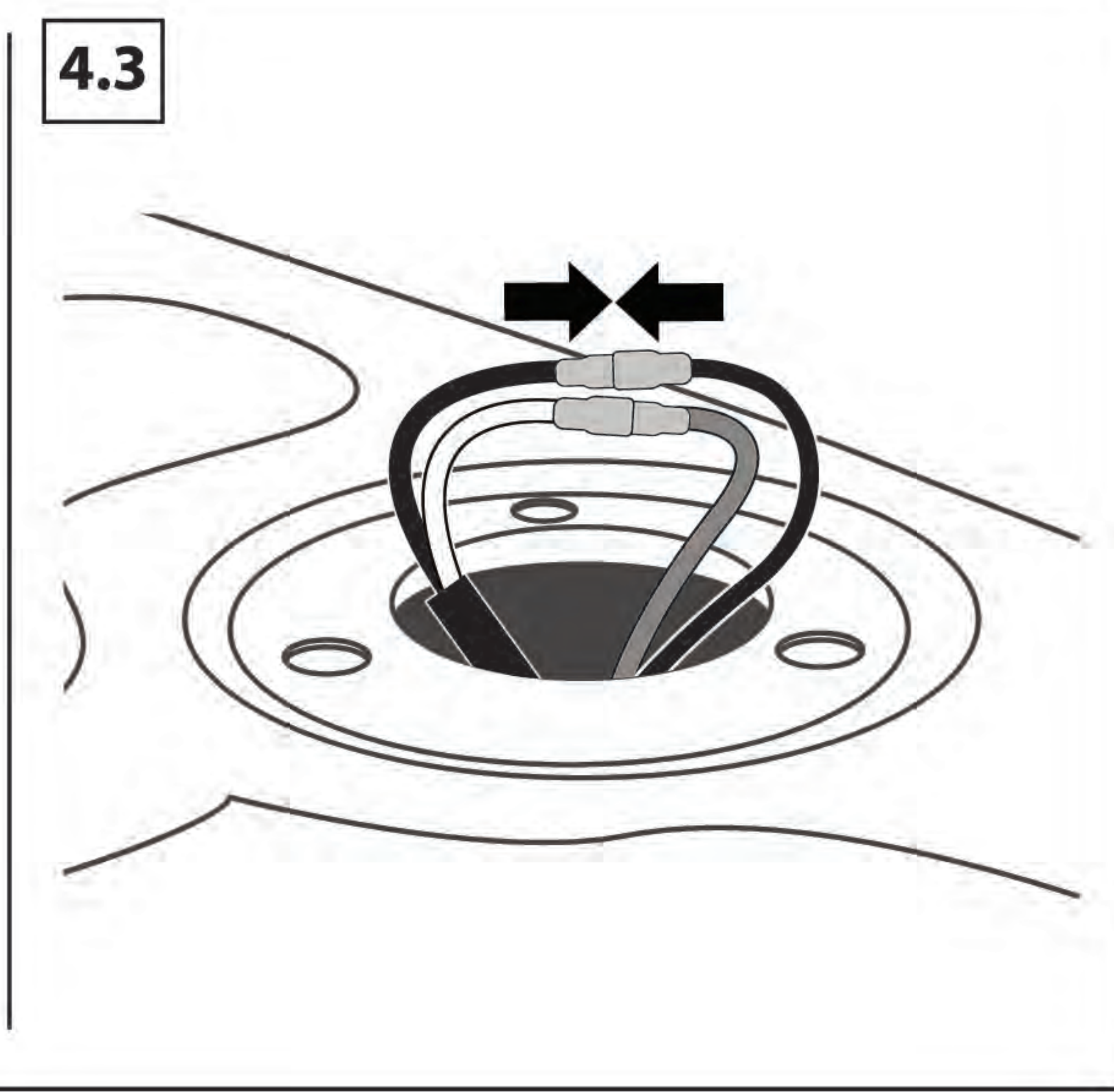
Pull wire to back



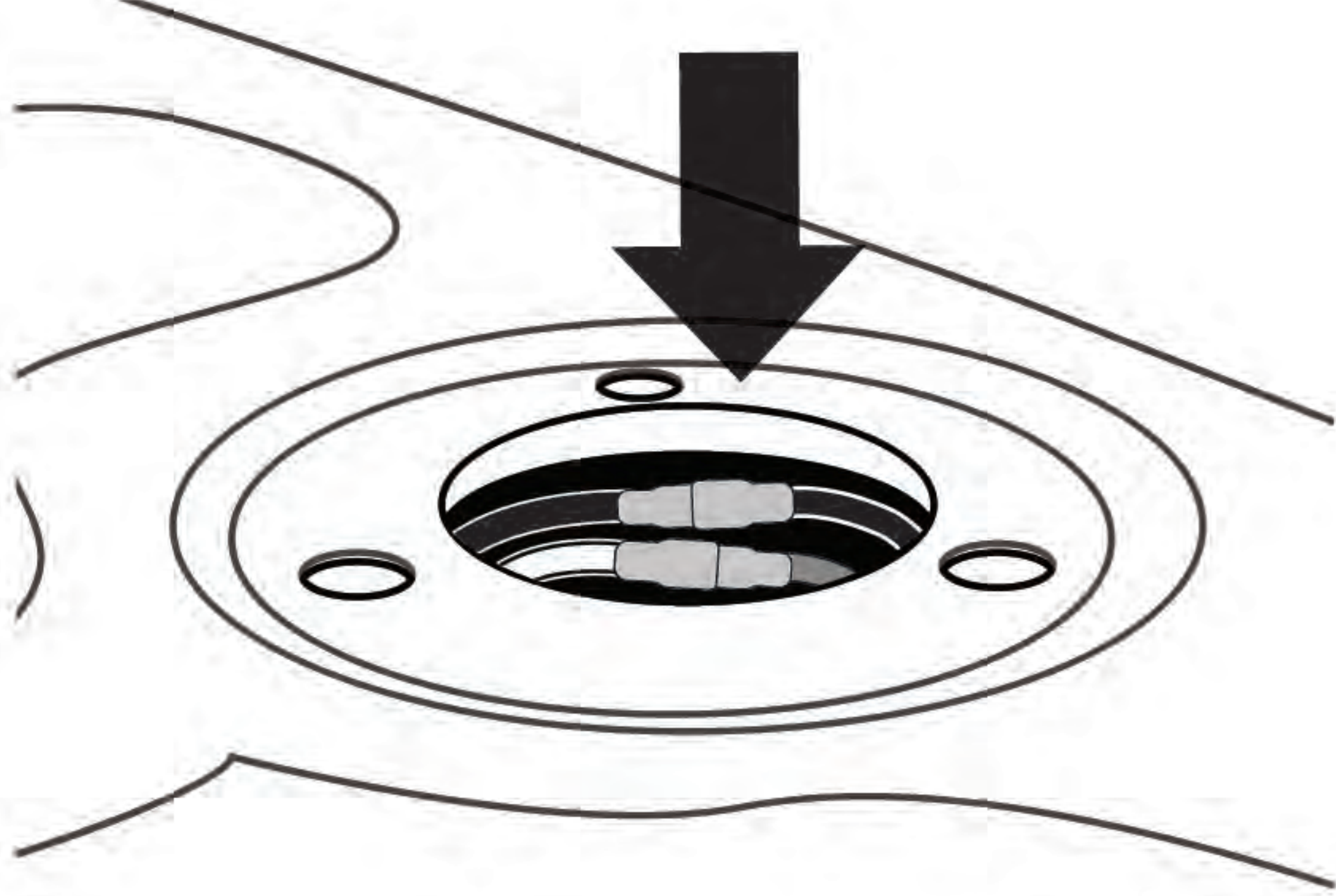
4.2



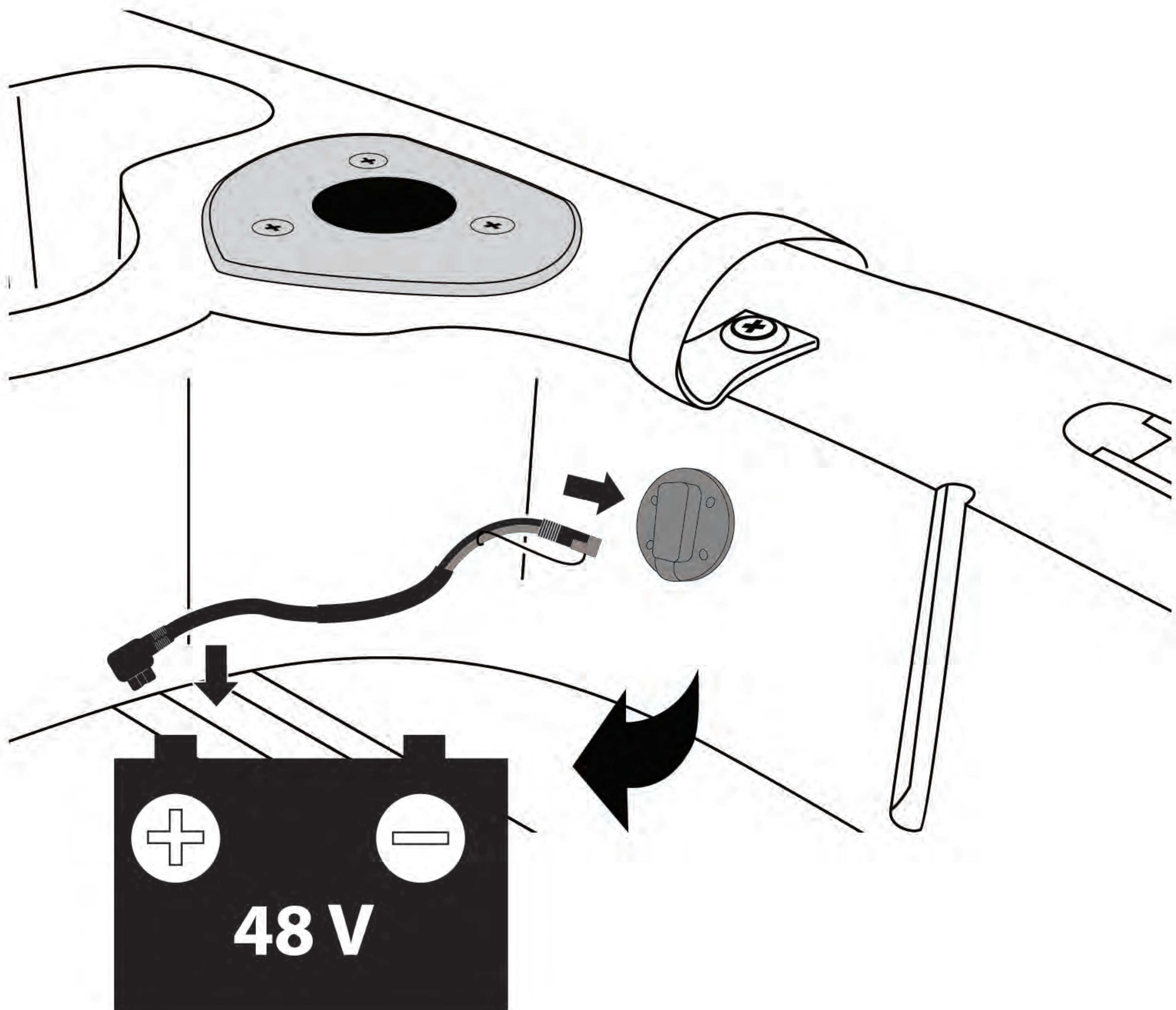
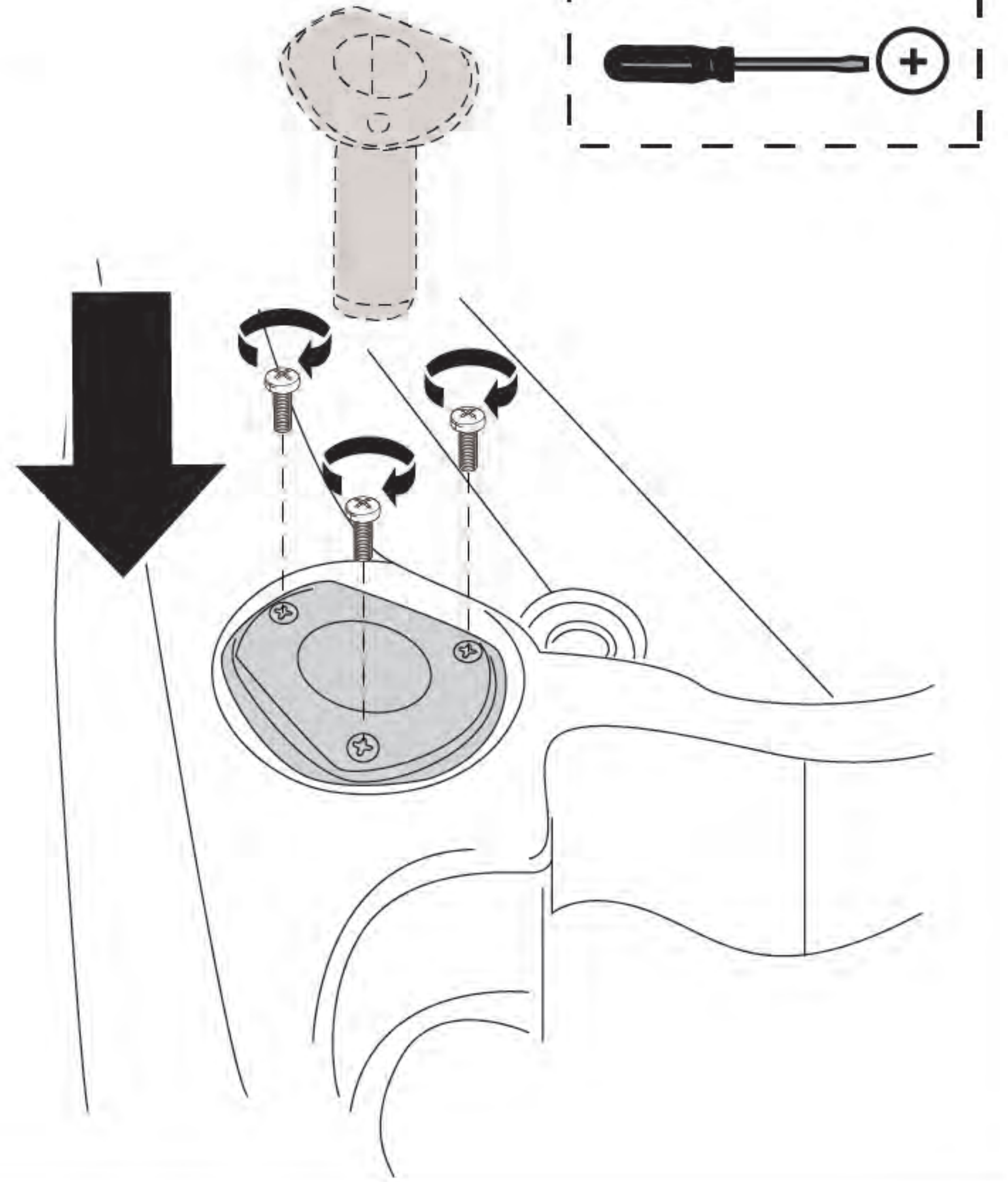
4.3



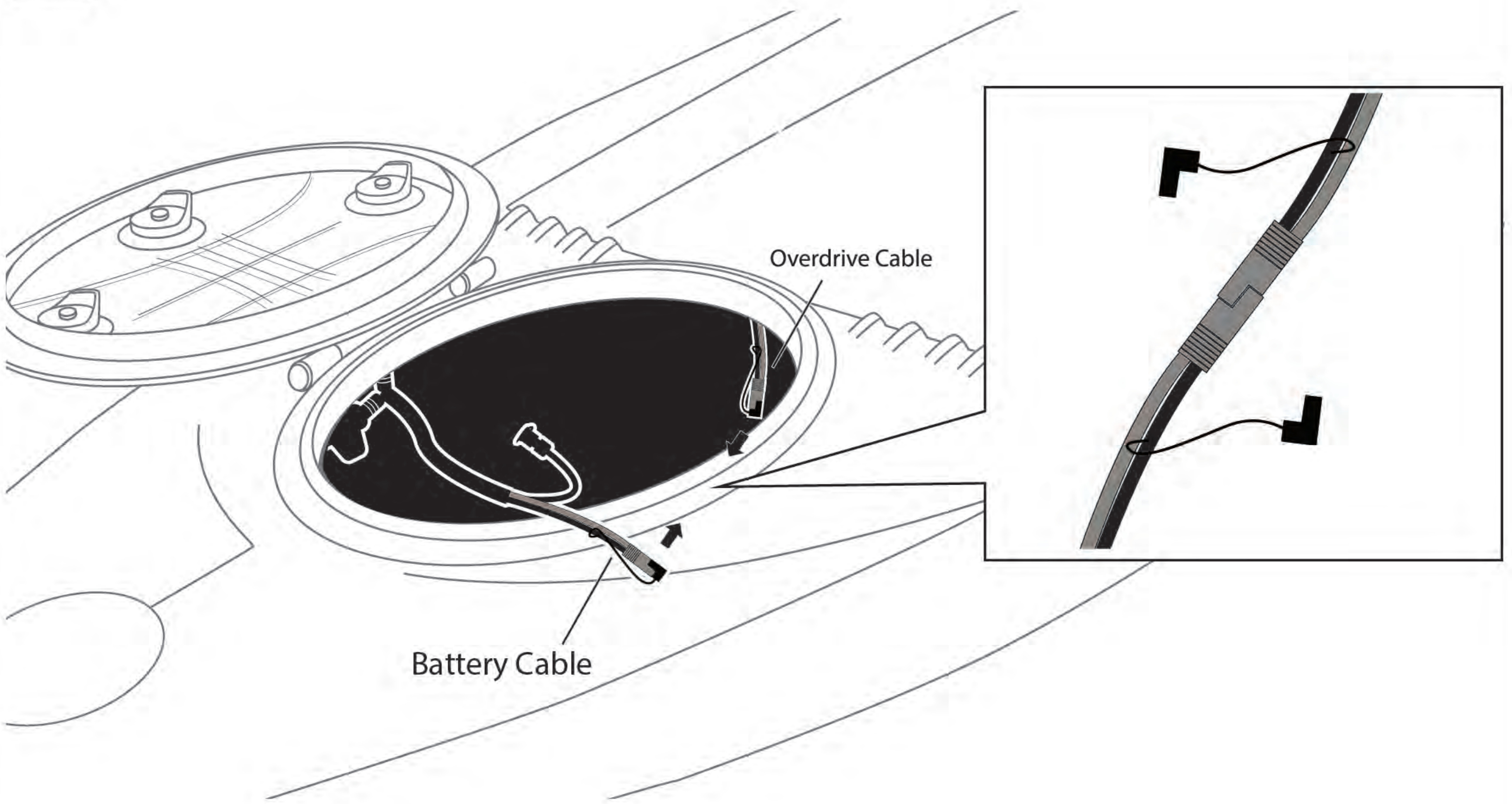
5



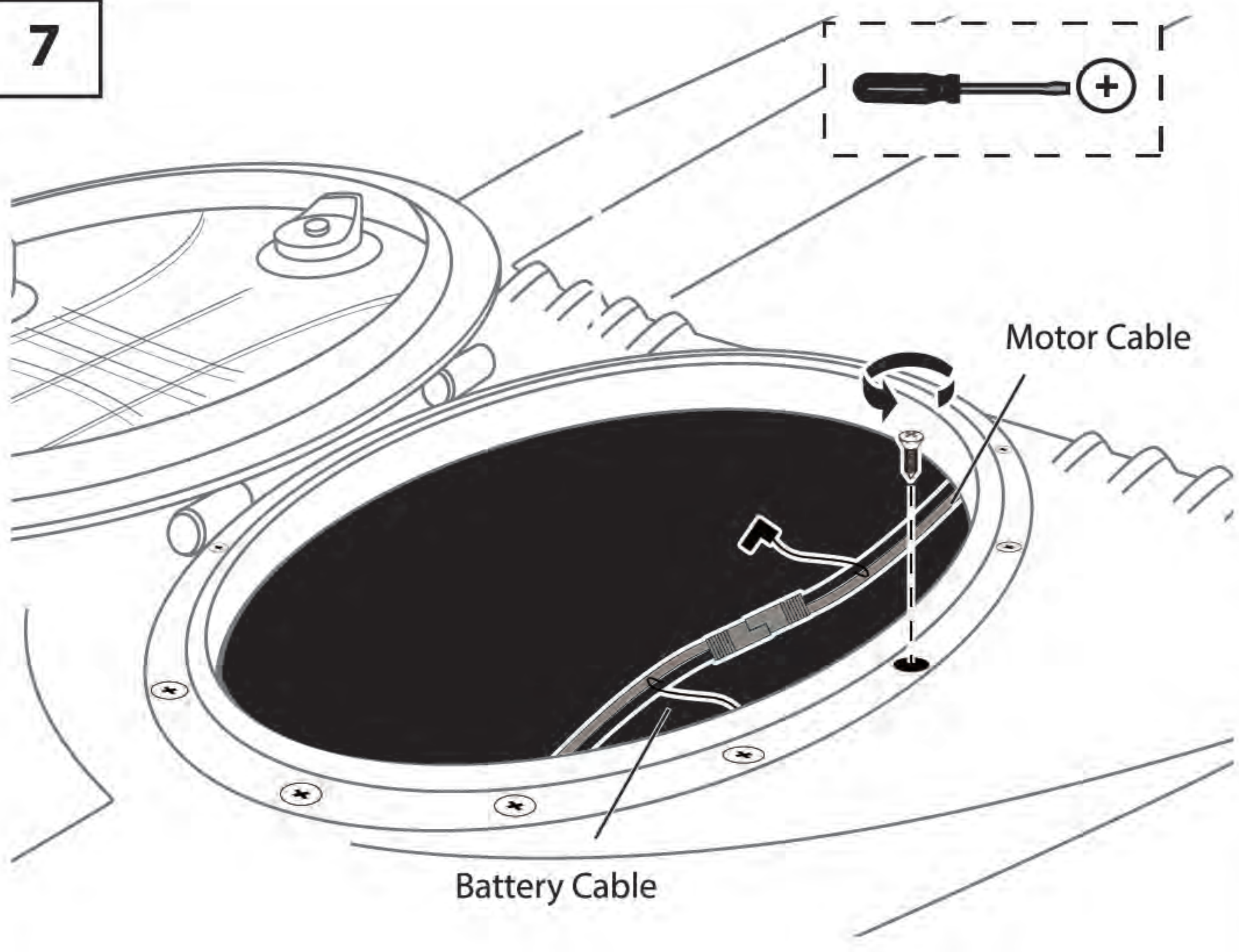
5.1



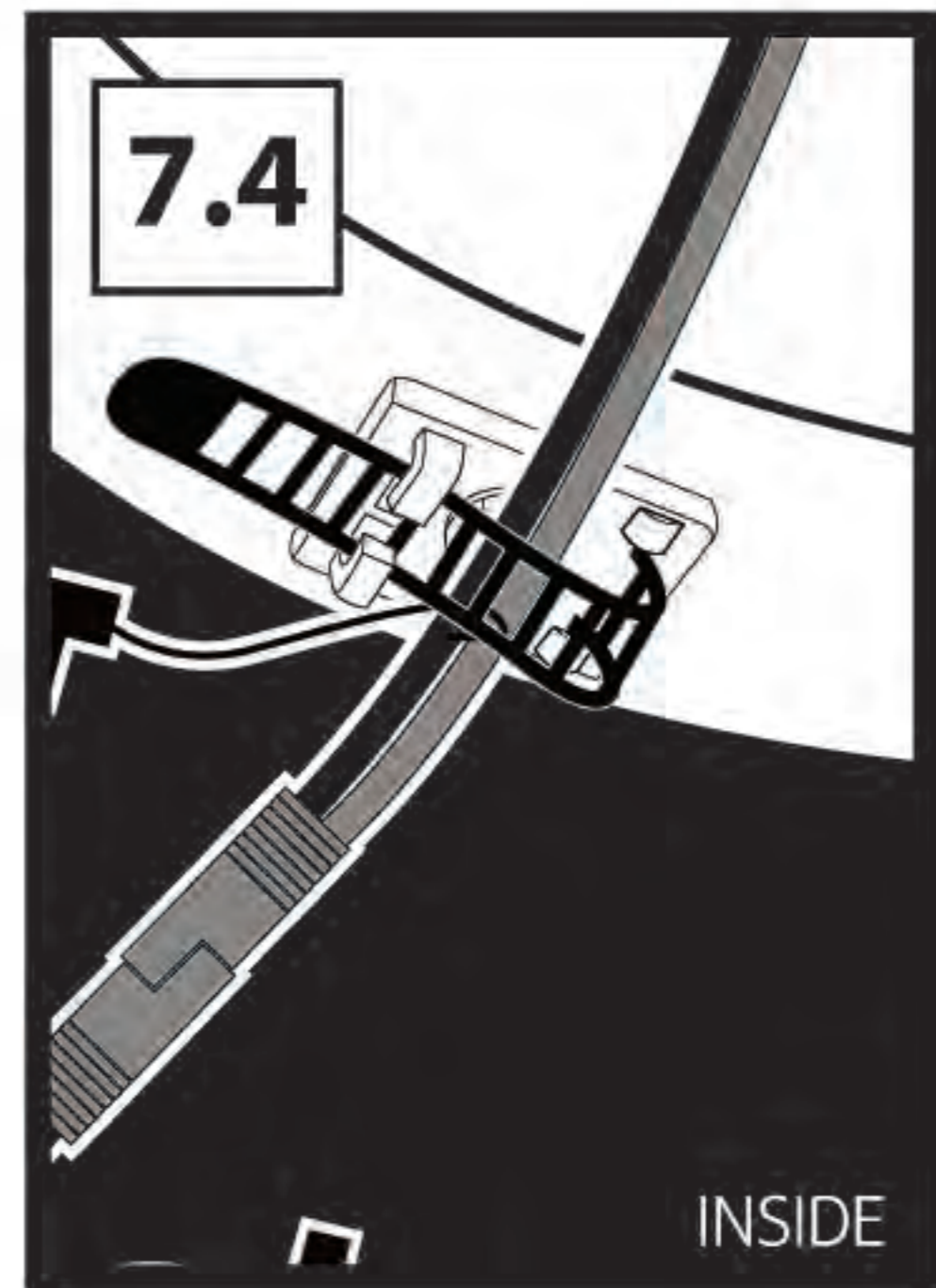
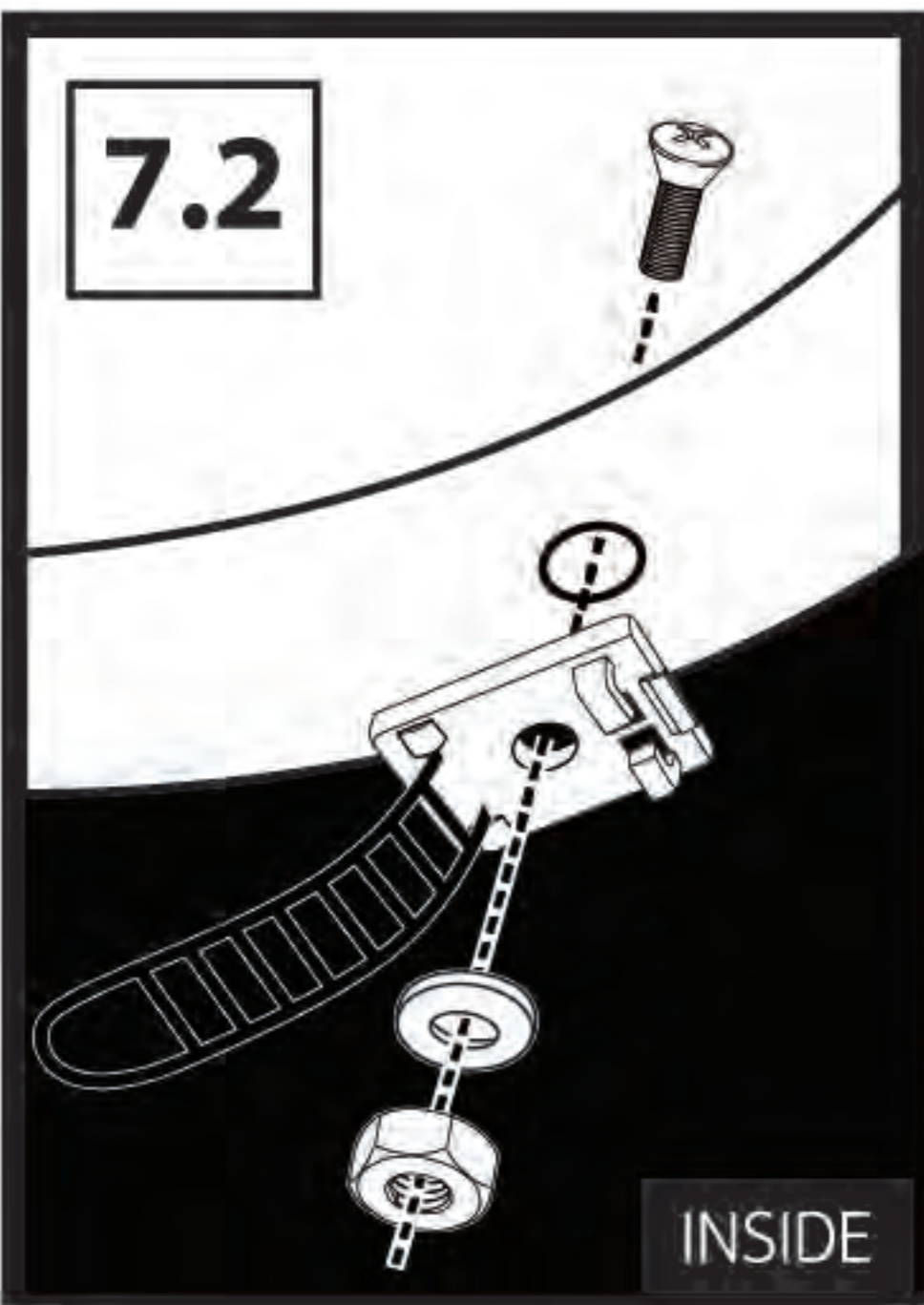
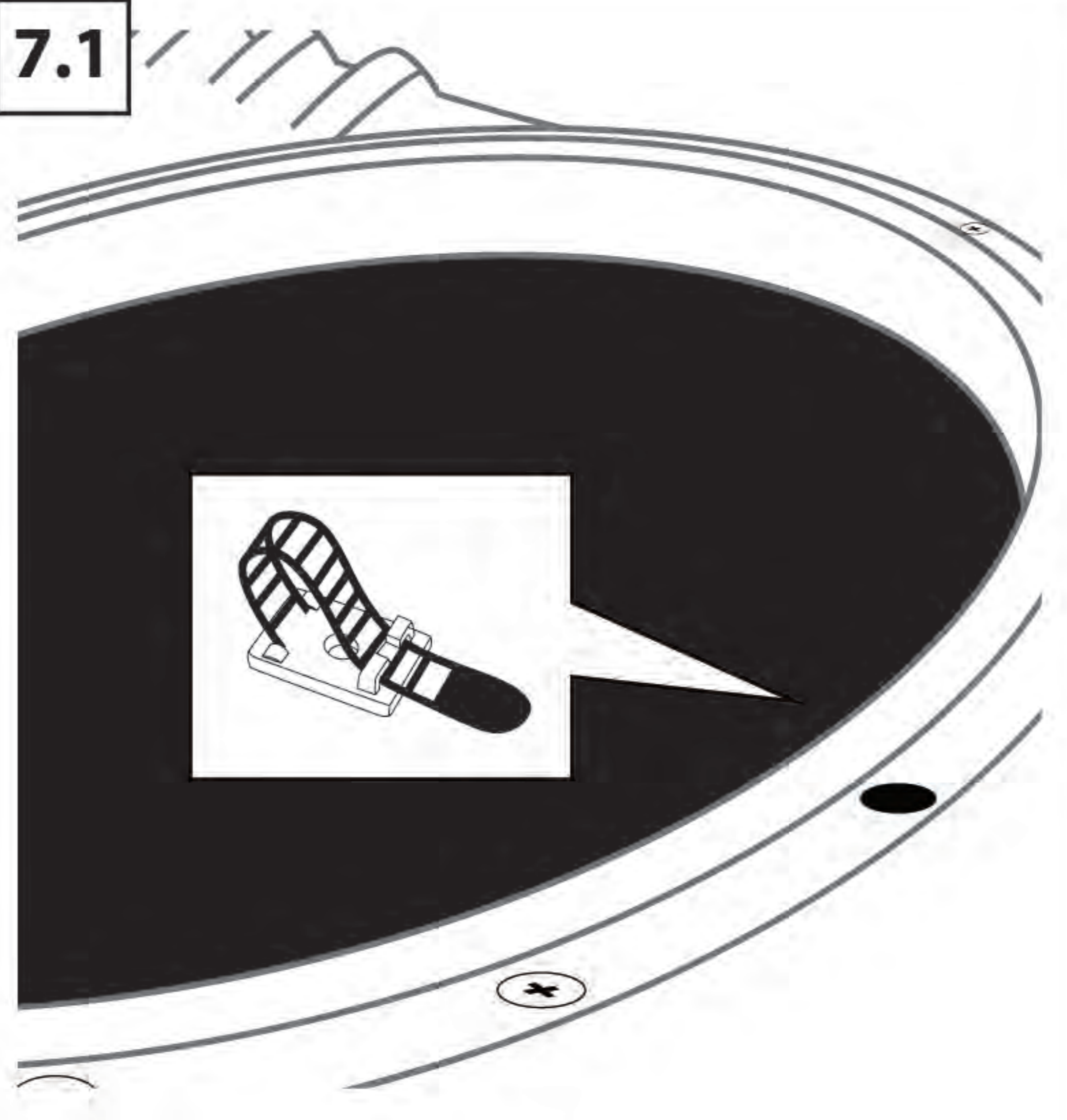
6

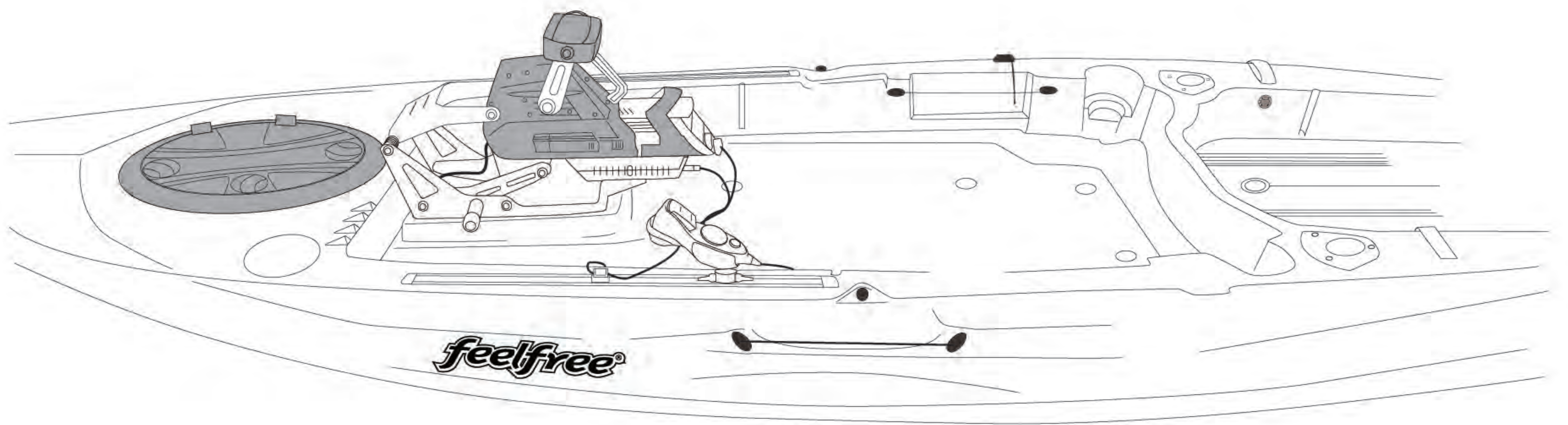


7



7.1







MOTORDRIVE 48V

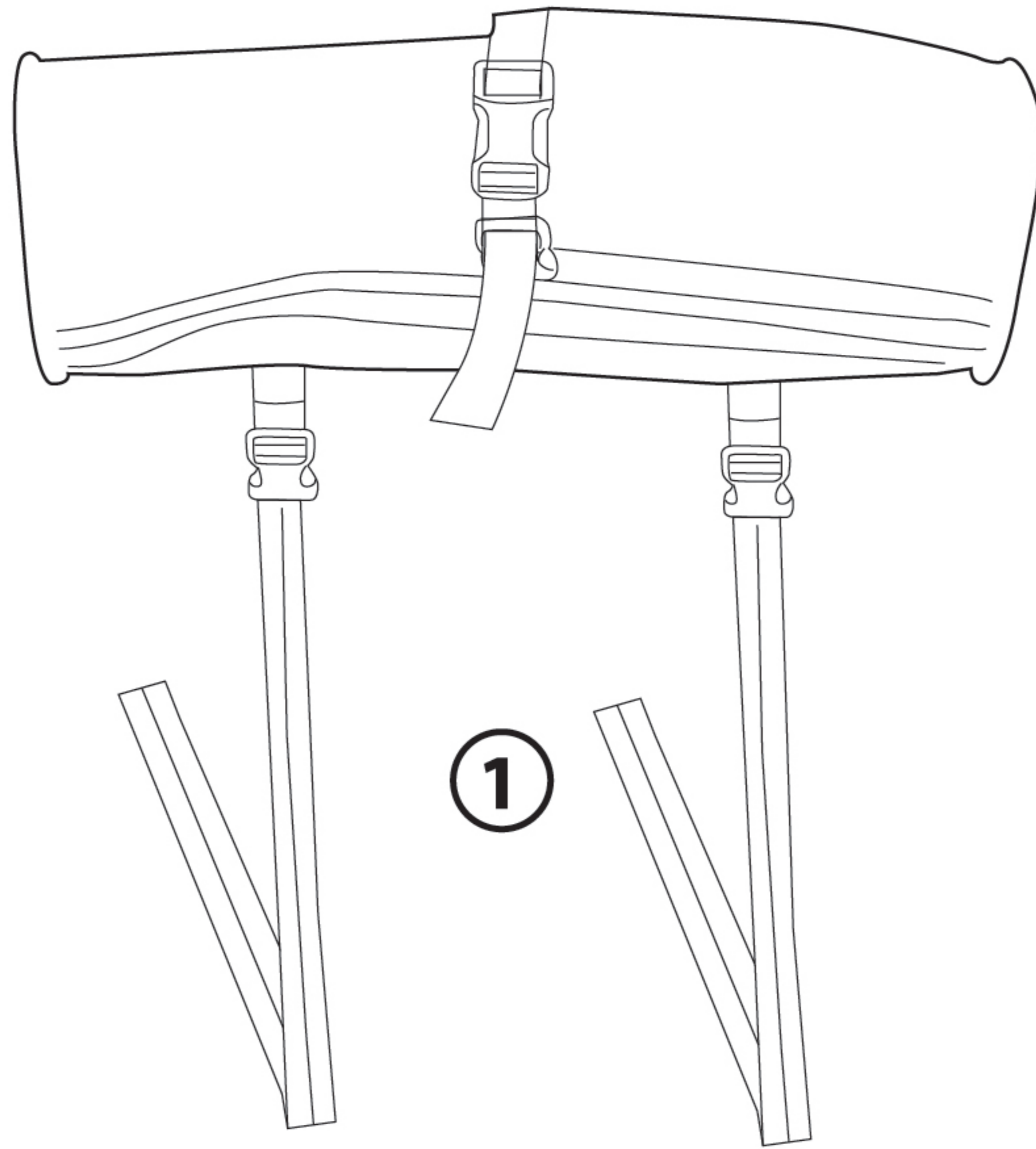
Special Installation

Instructions for the Lure Tandem



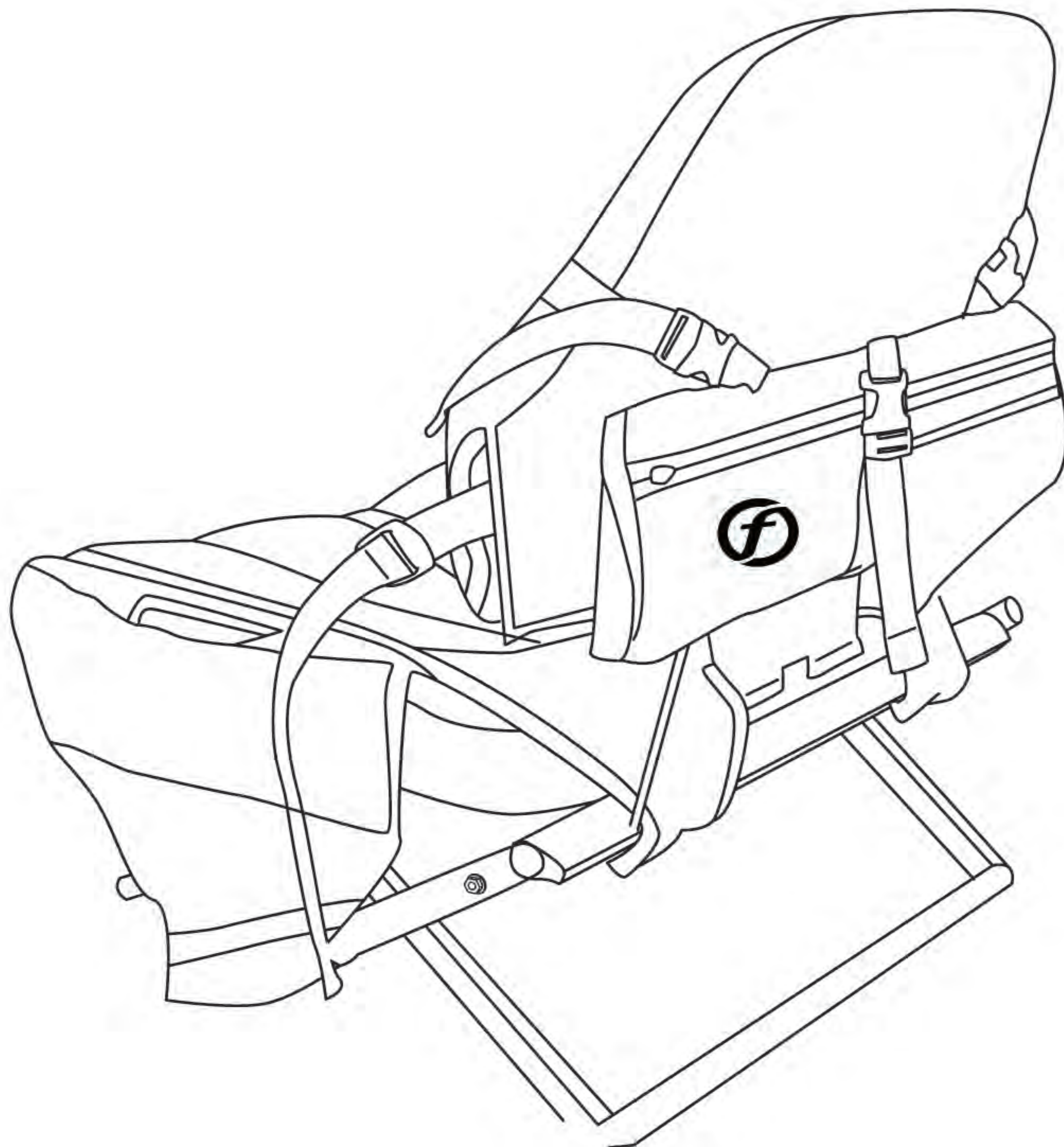
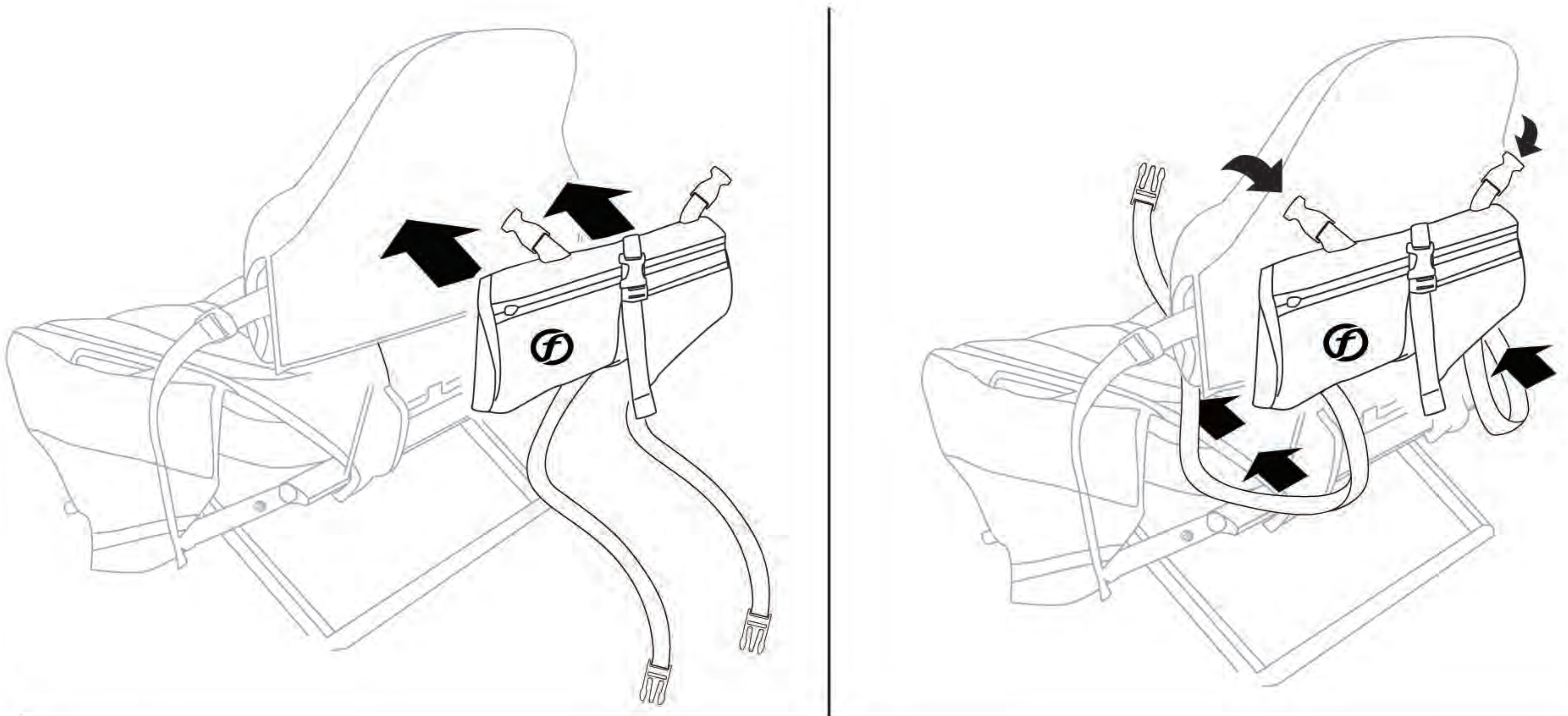
Lure Tandem Motordrive Part Lists

No.	Part number	Description	Qty.
1	NA	Water resistant bag	1



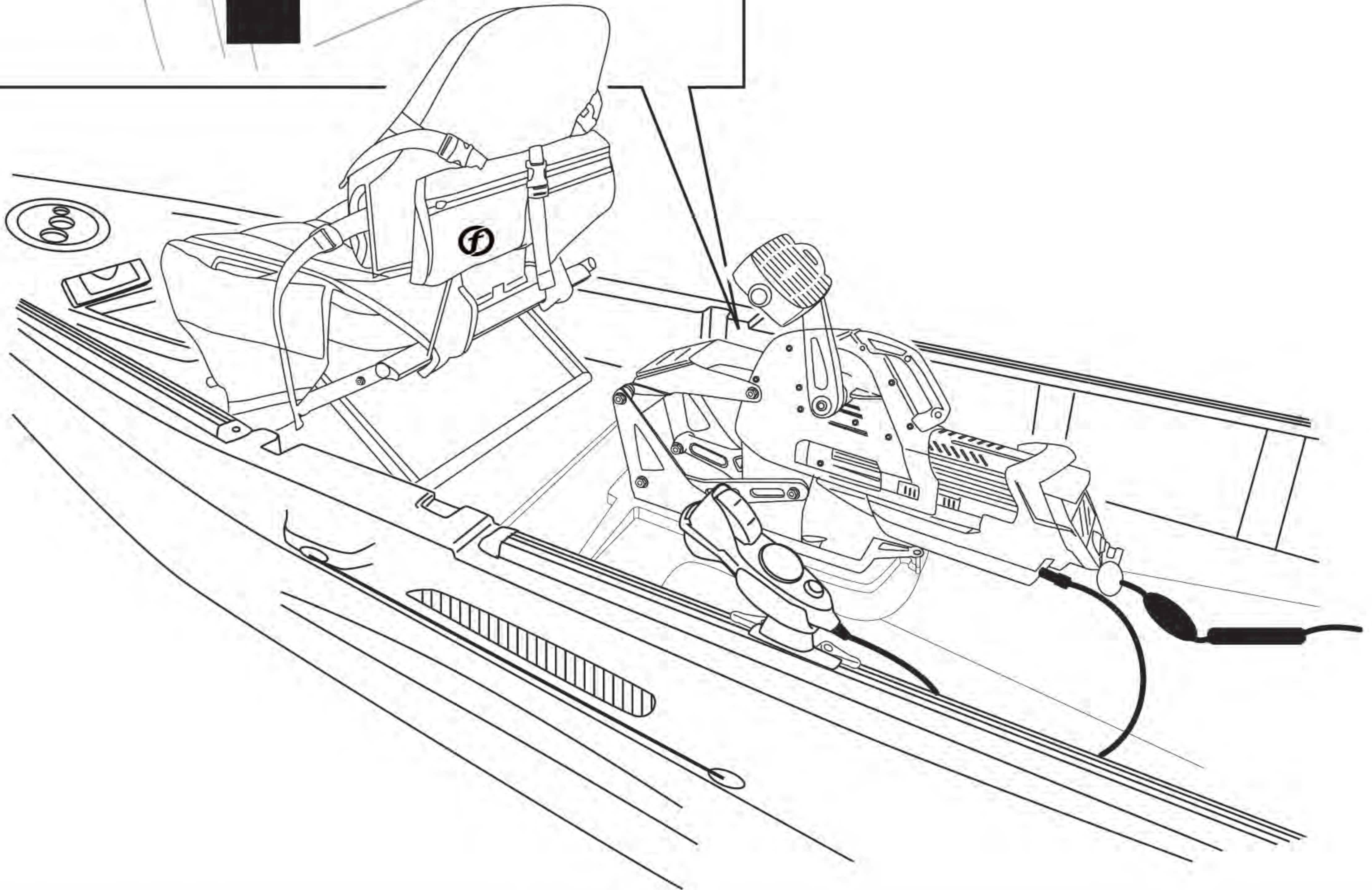
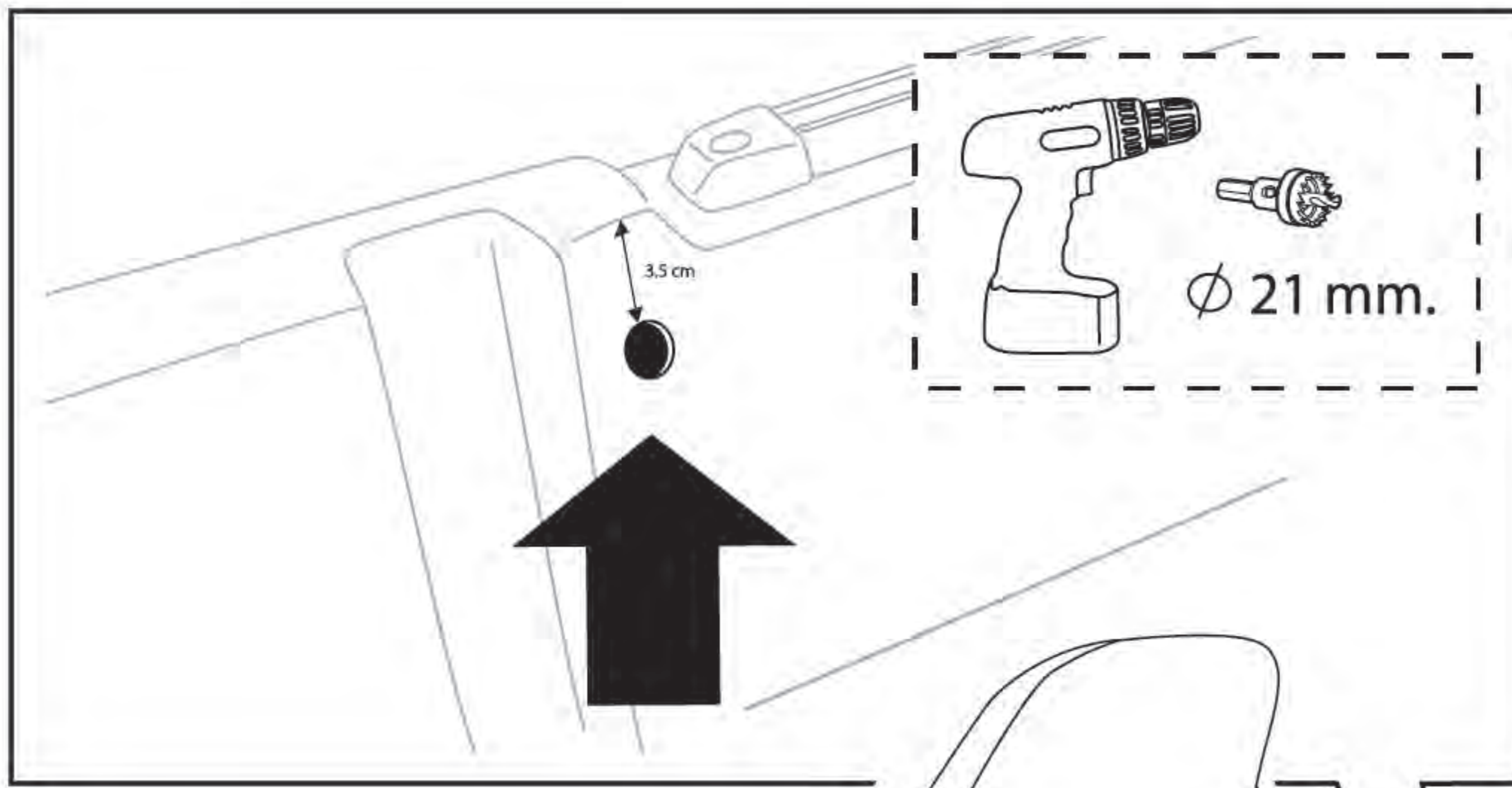
Water resistant bag installation

For protecting wiring and optional 12V accessory transformer



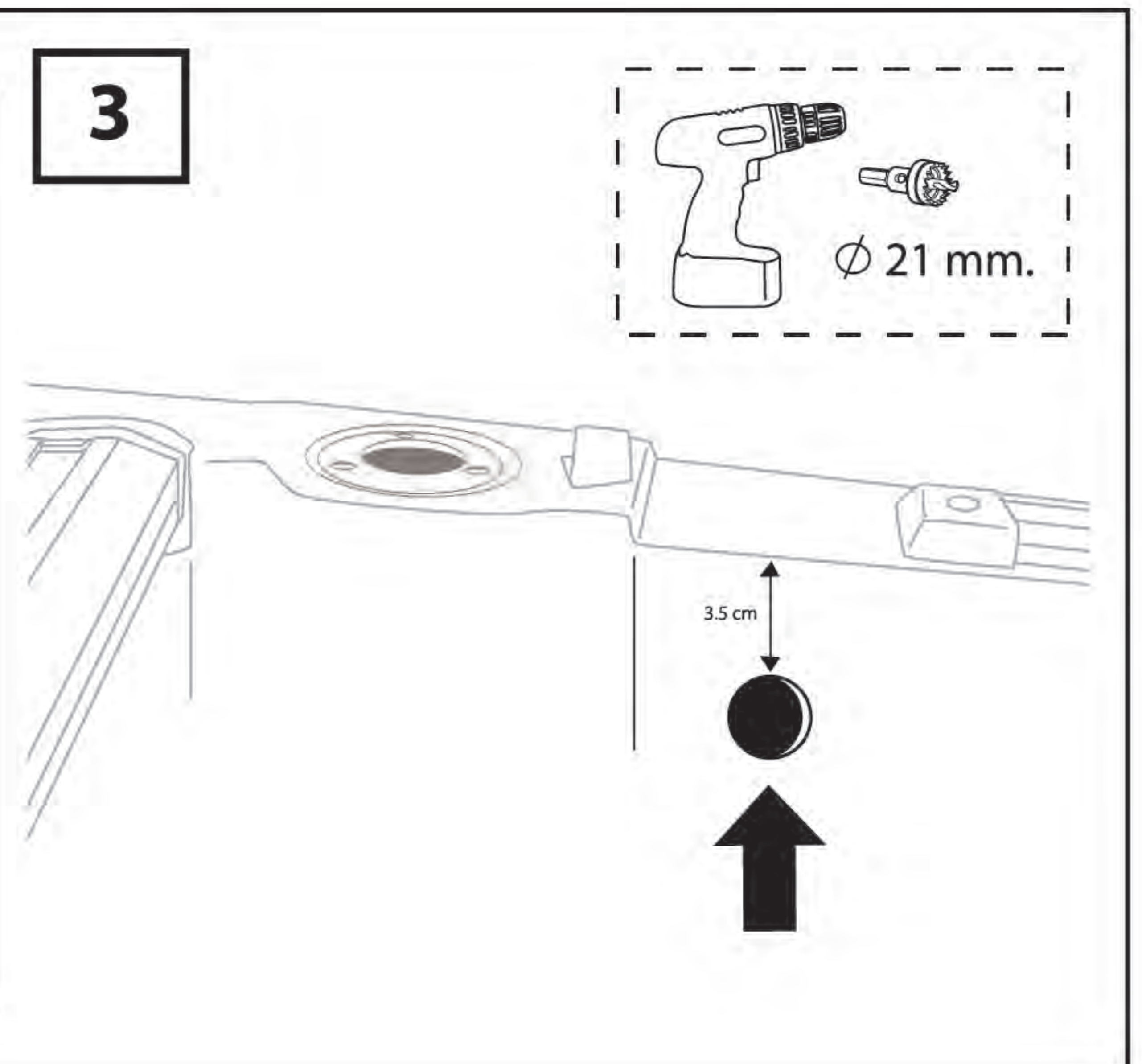
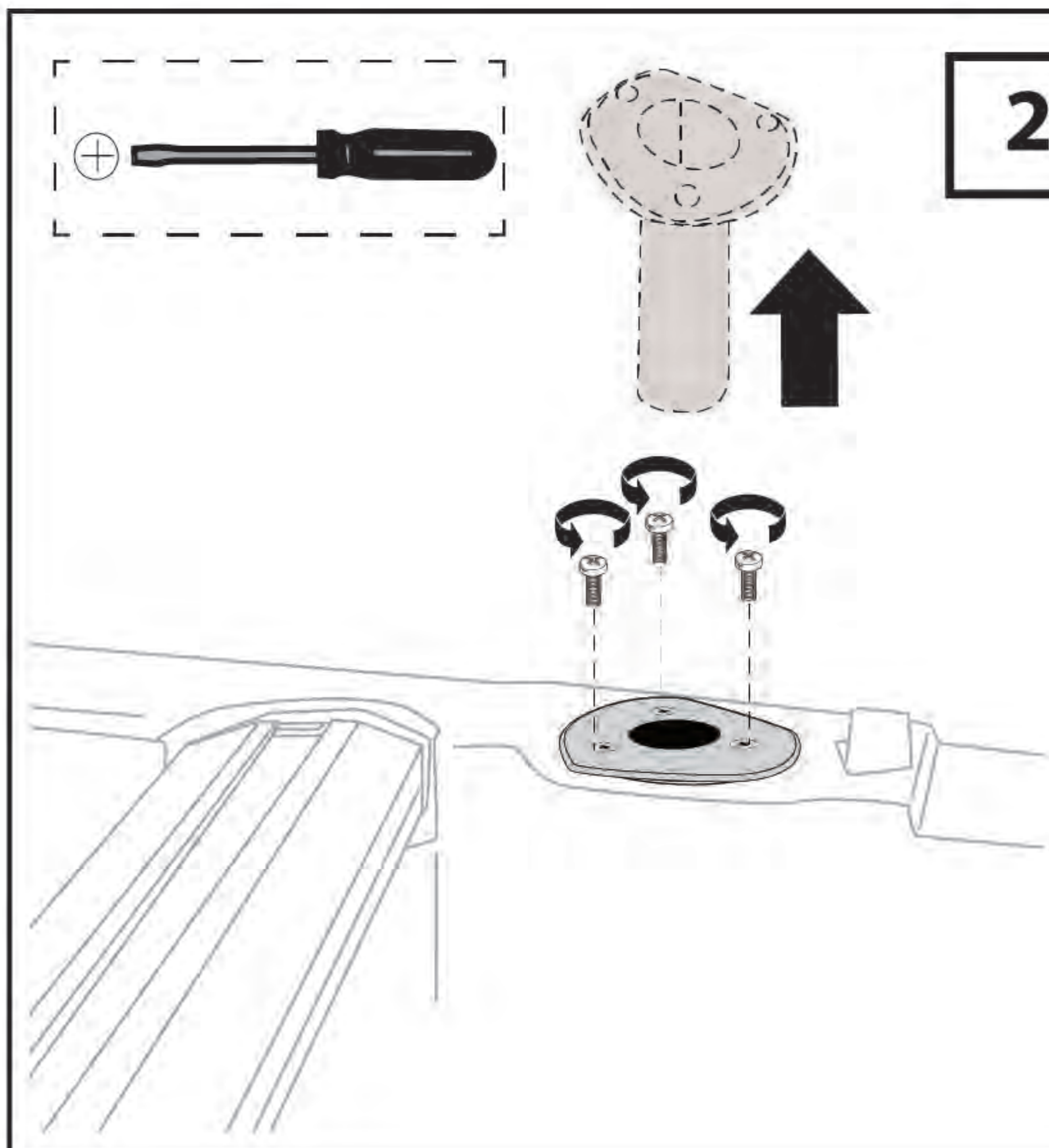
Battery cable installation for Lure tandem

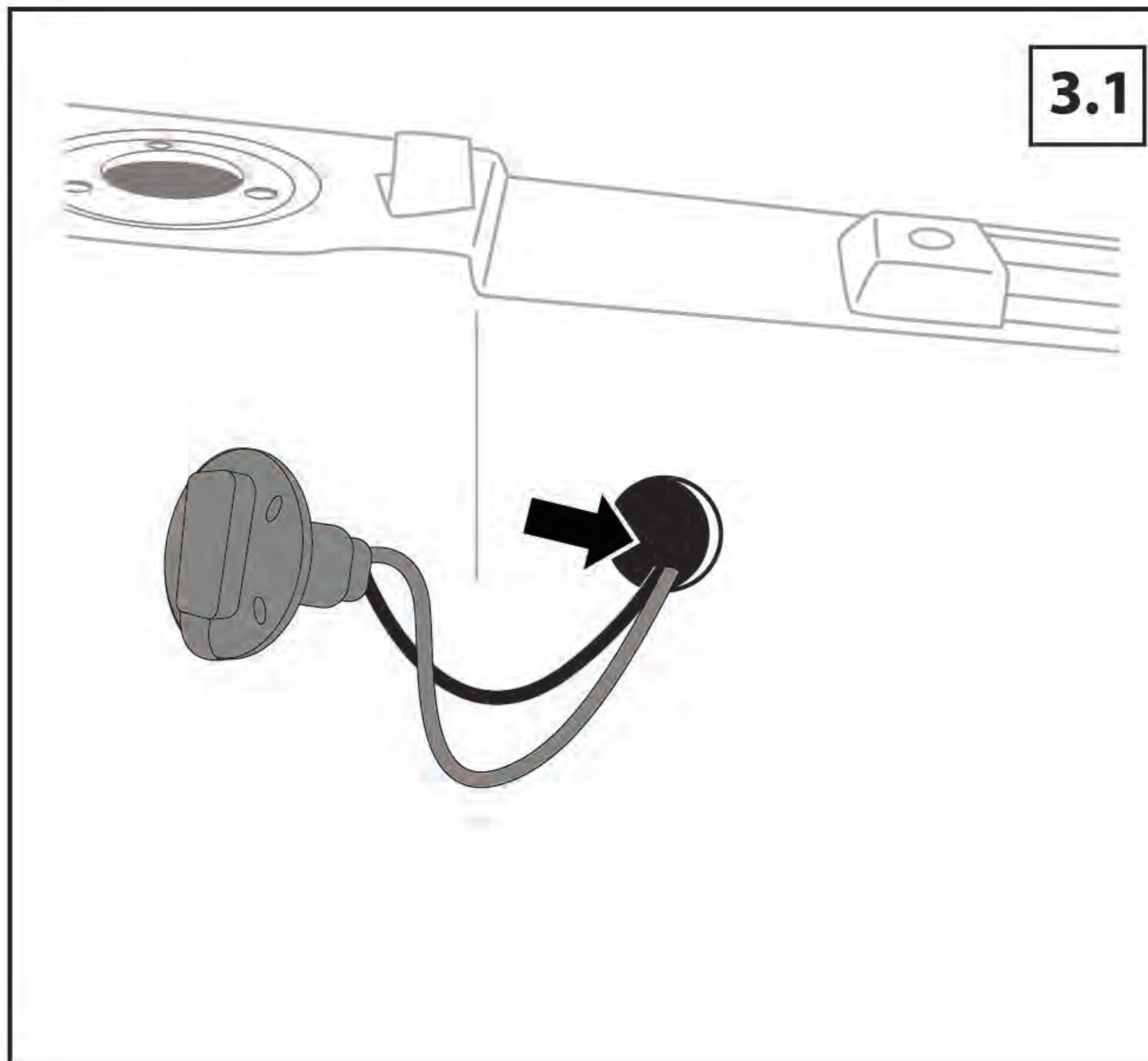
1



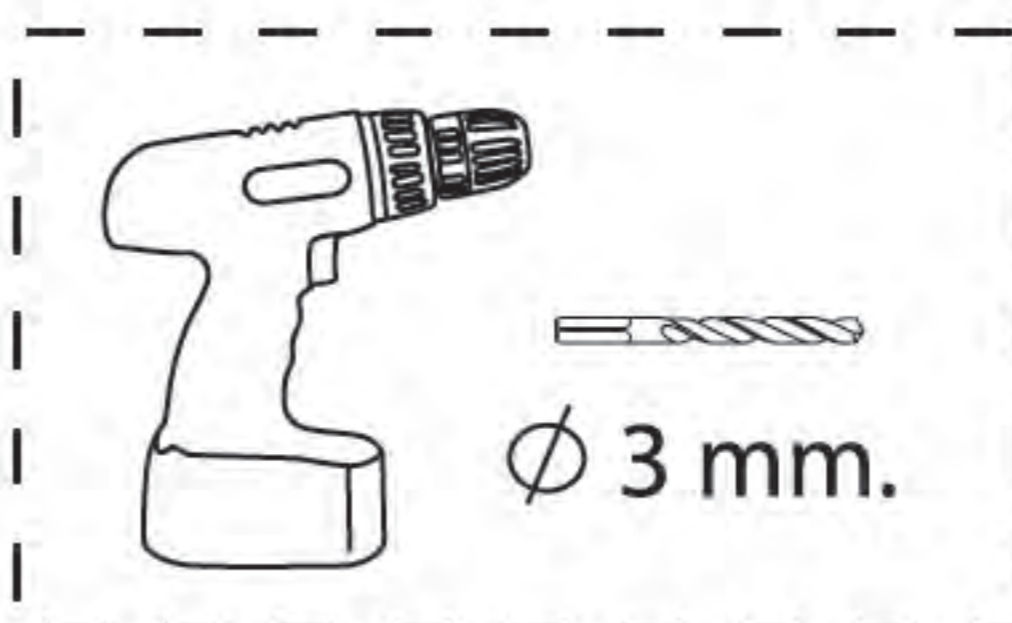
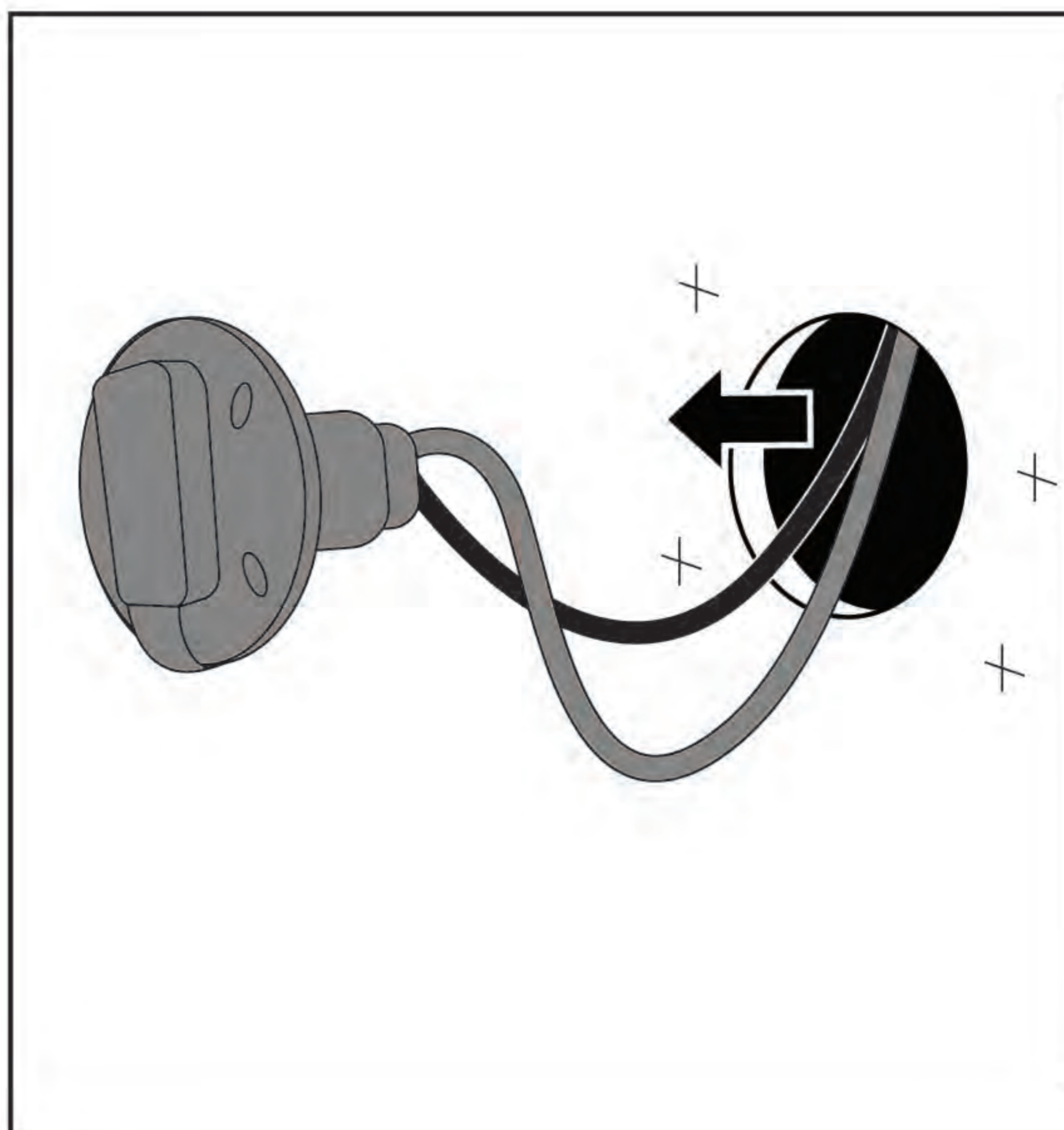
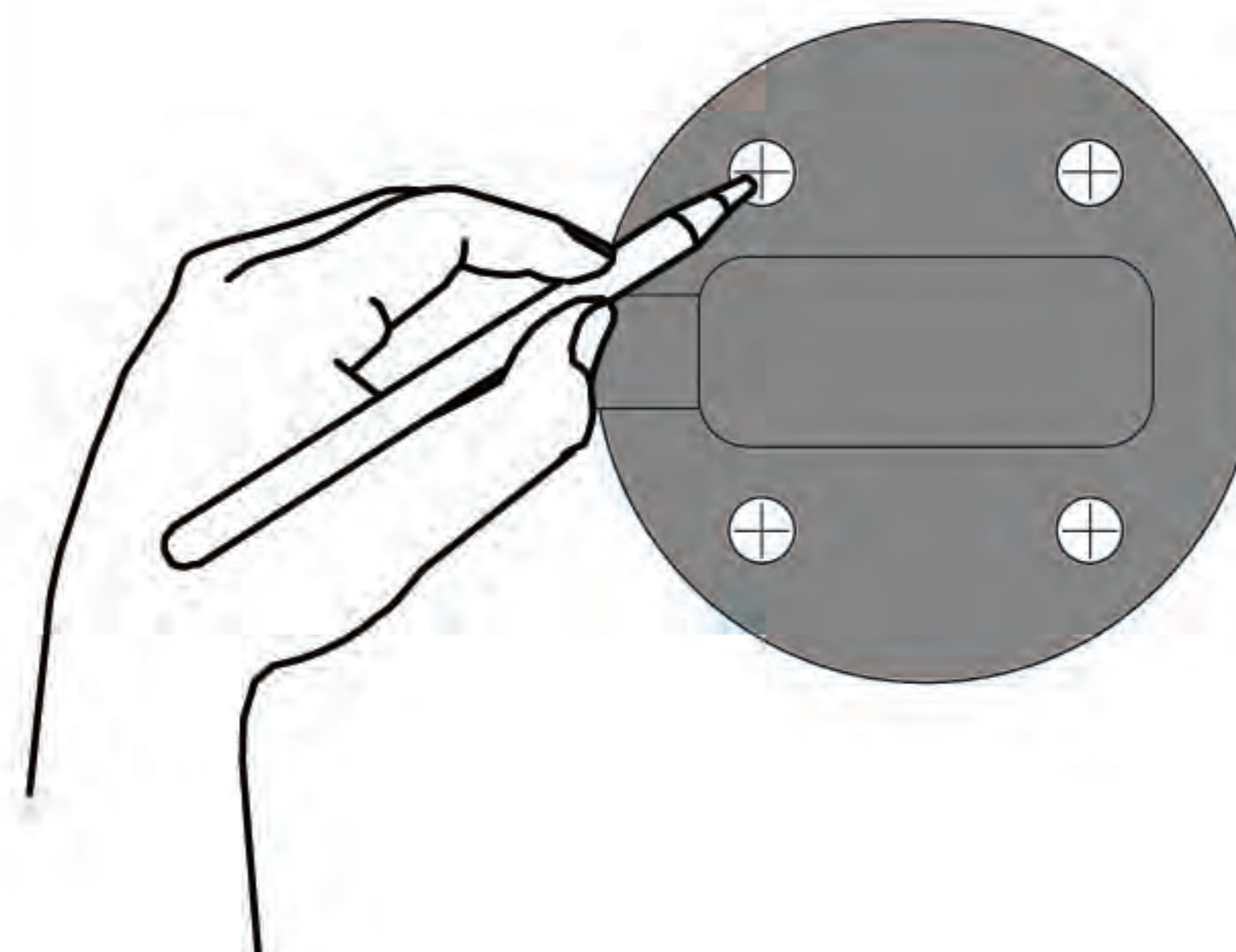
2

3

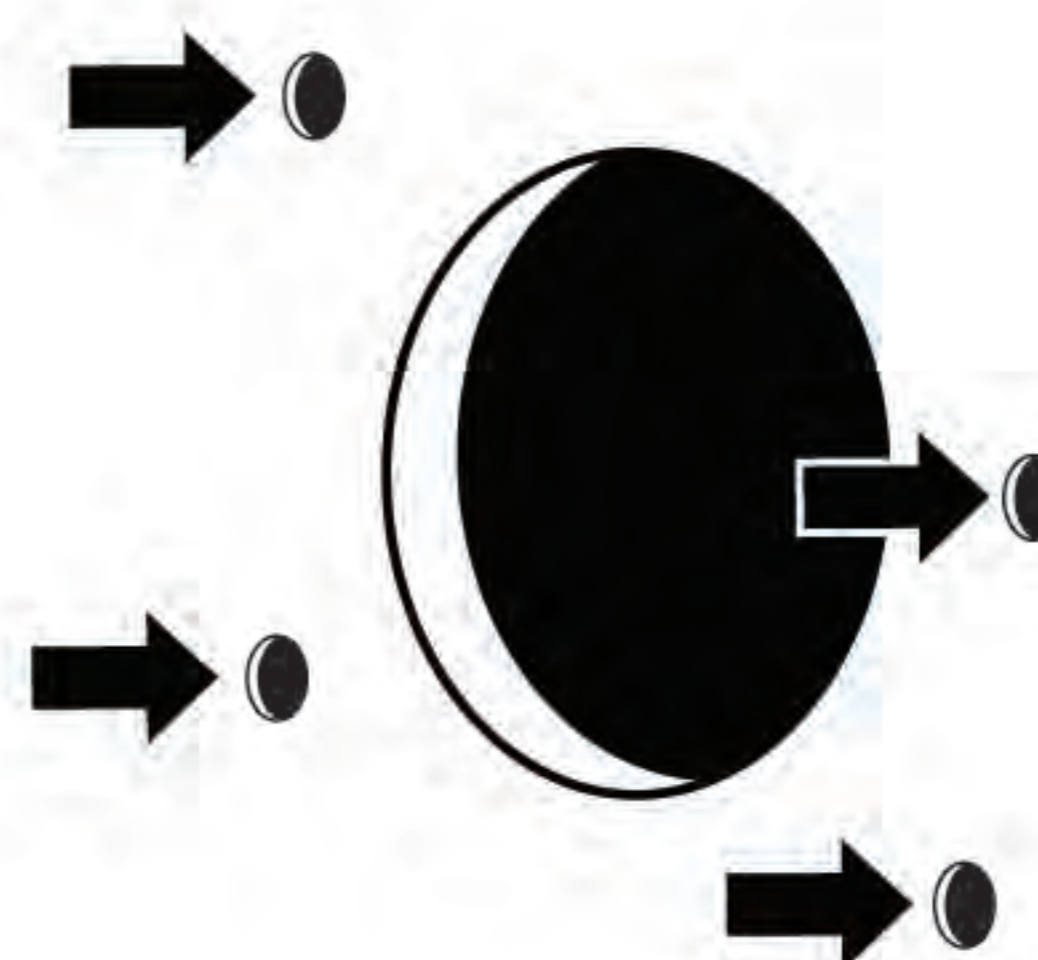




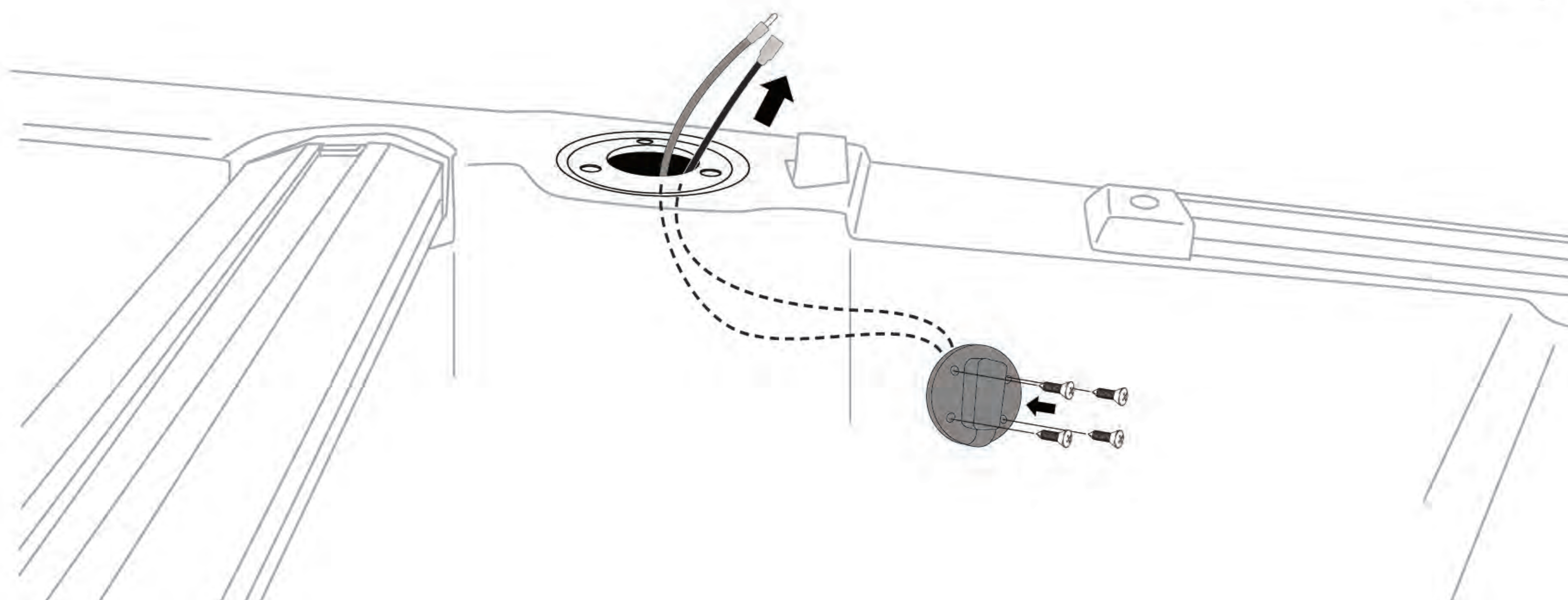
3.2 Mark before drilling



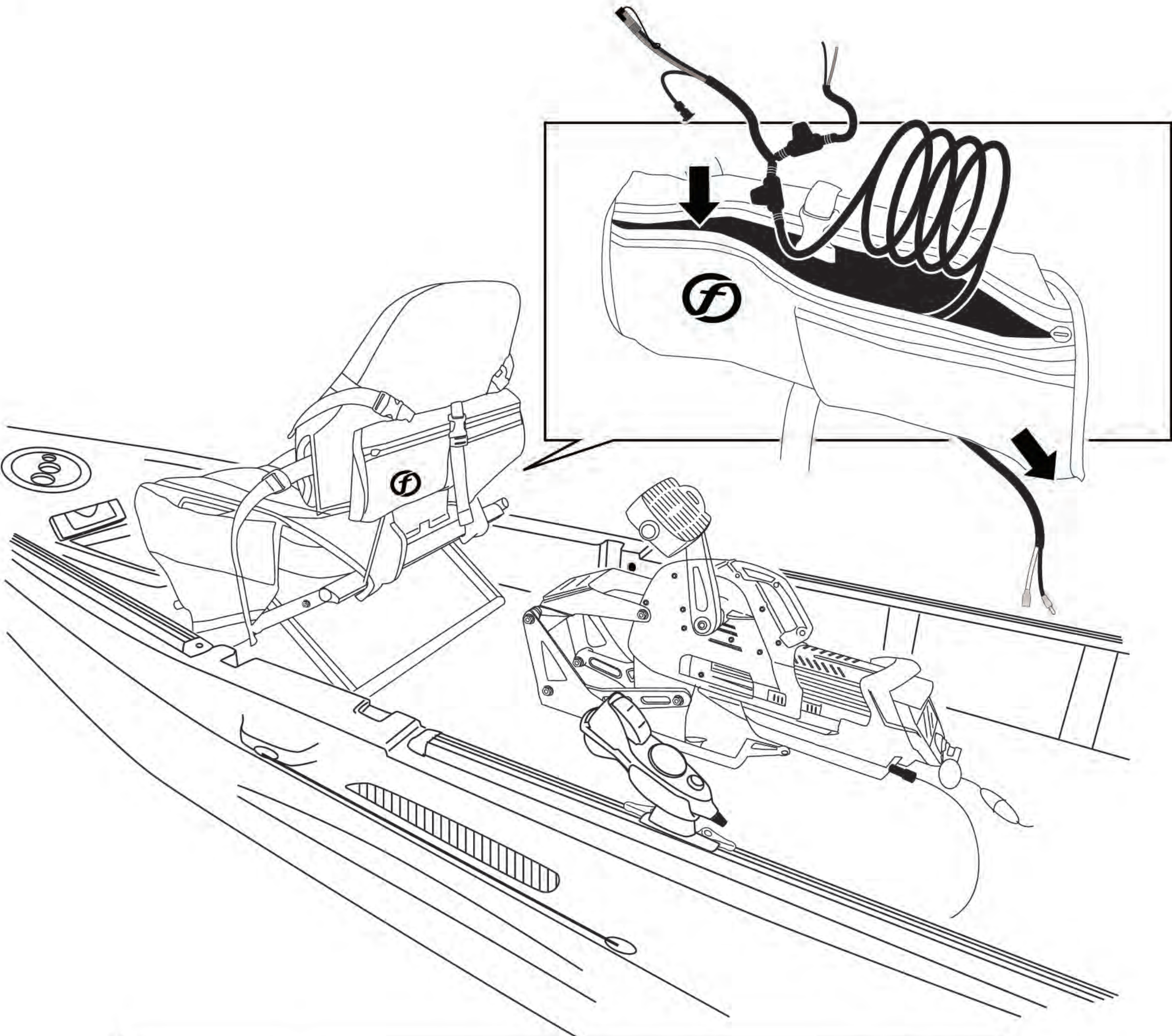
3.3



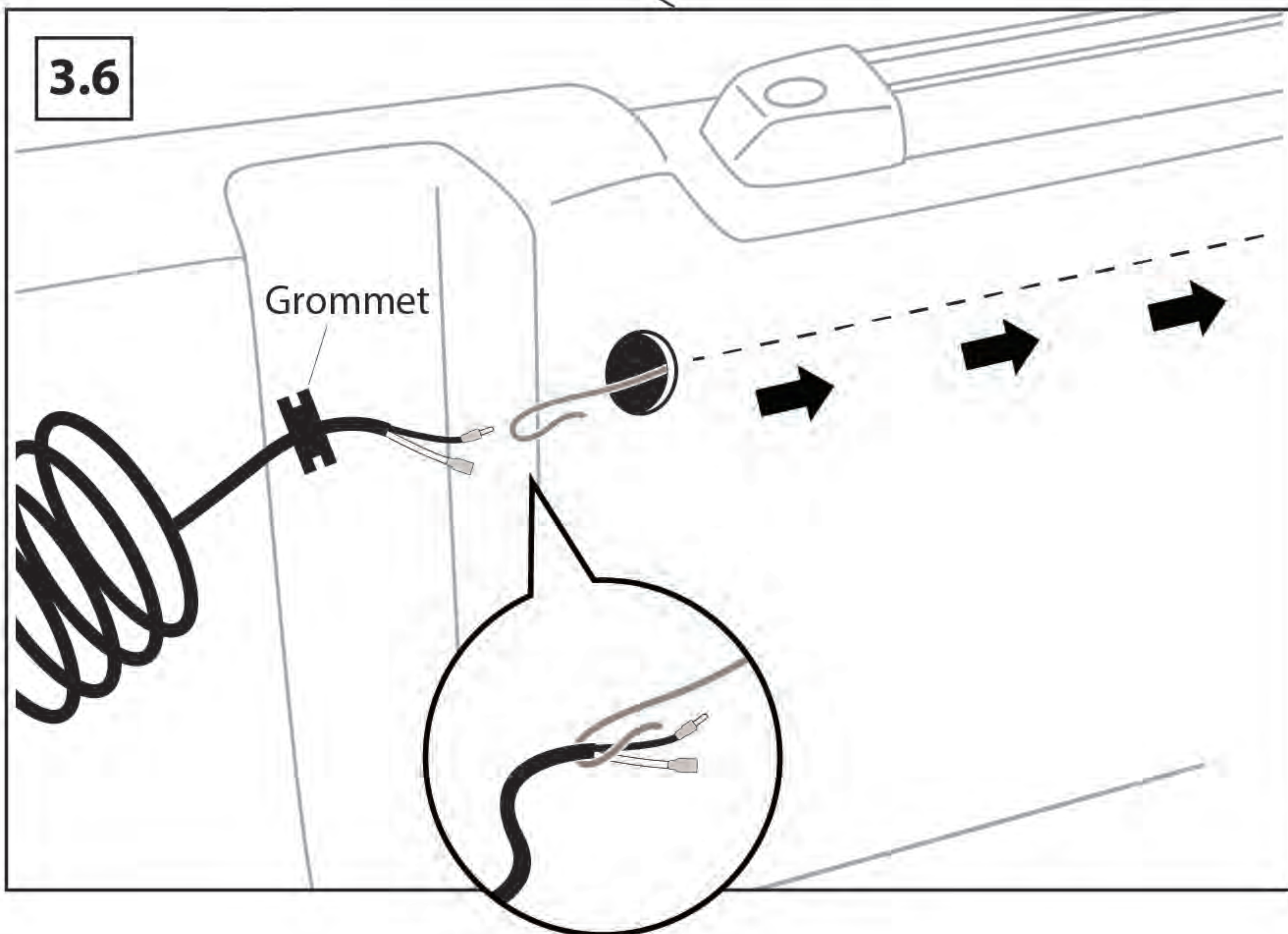
3.4



3.5



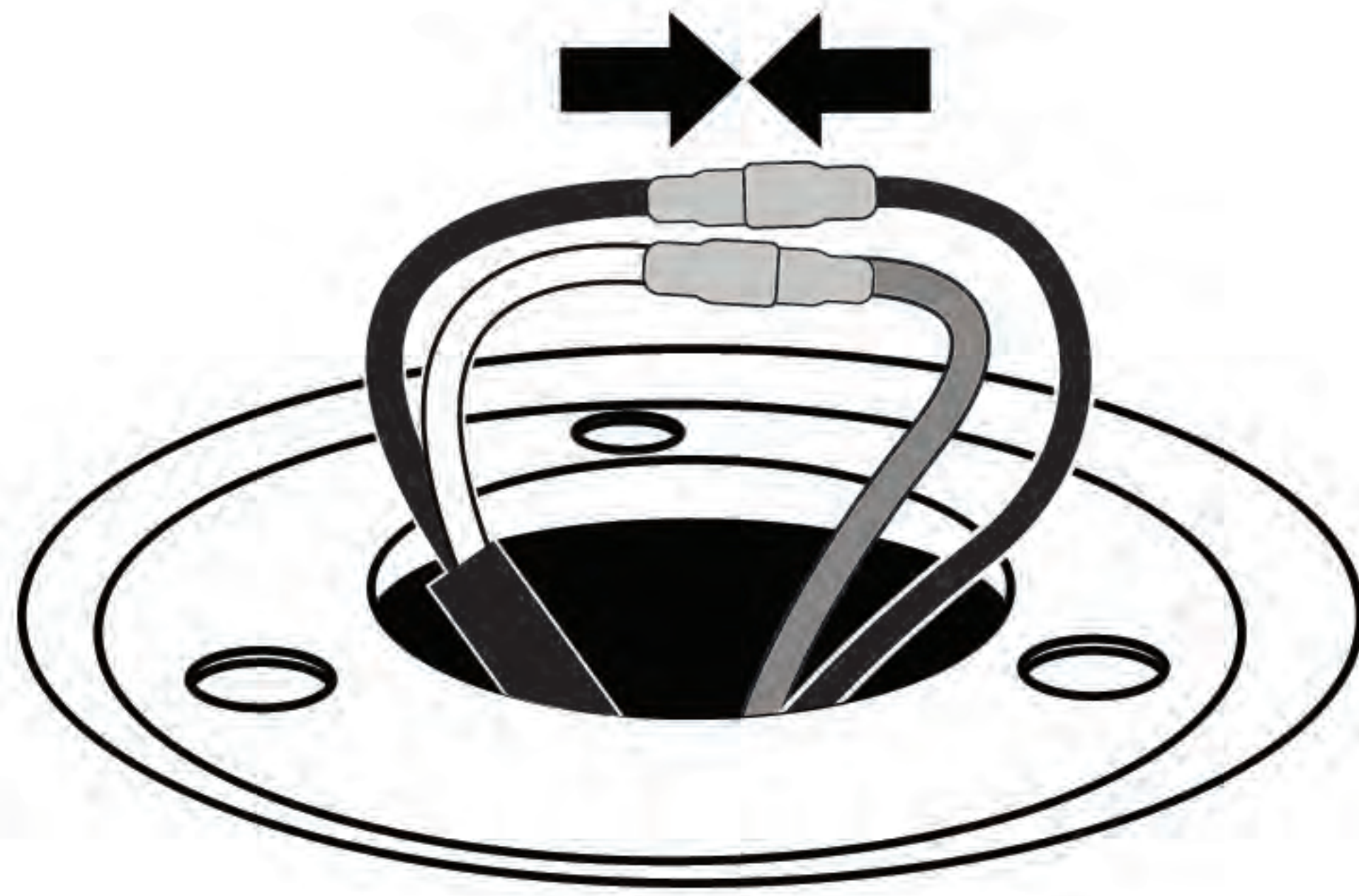
3.6



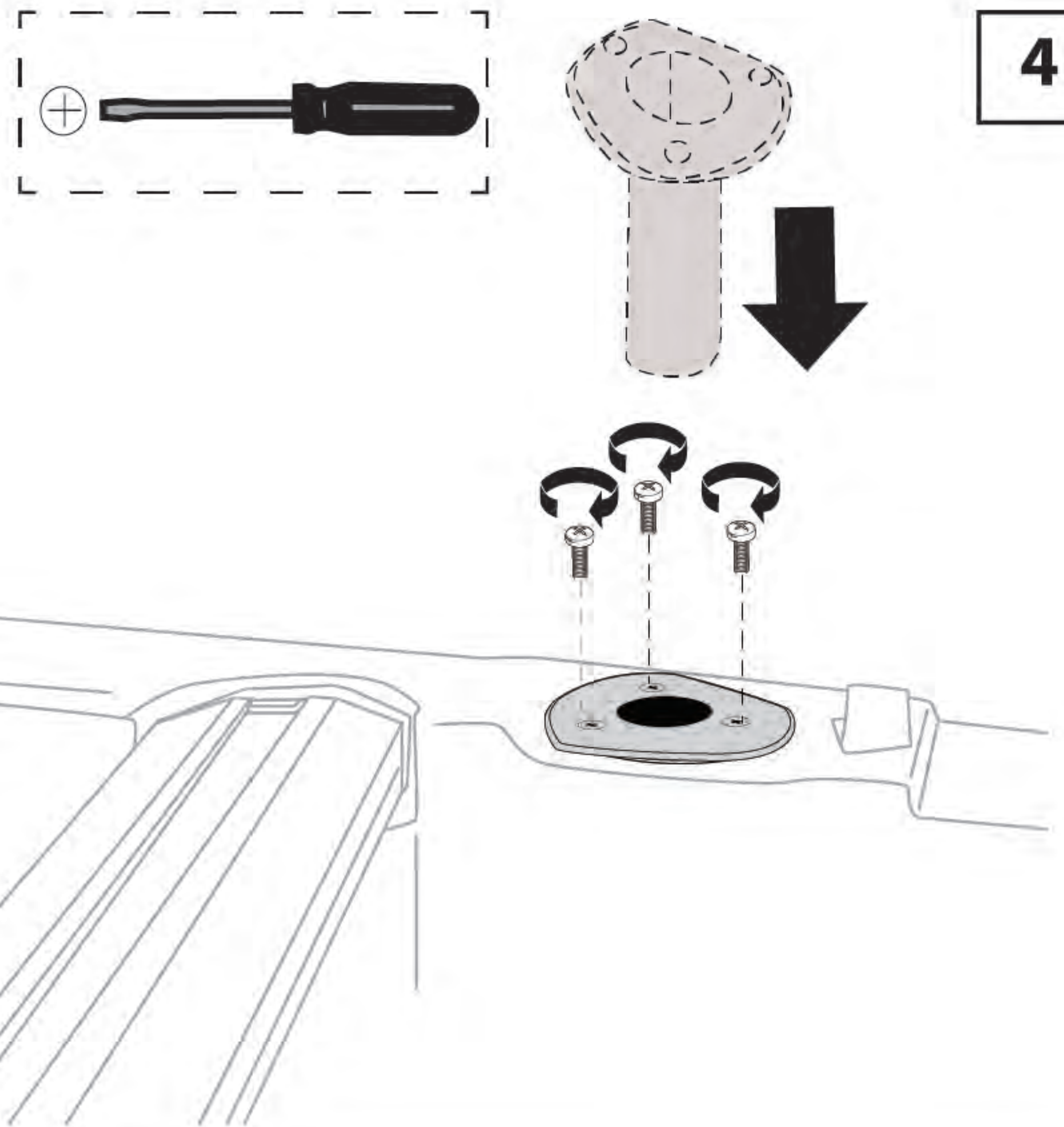
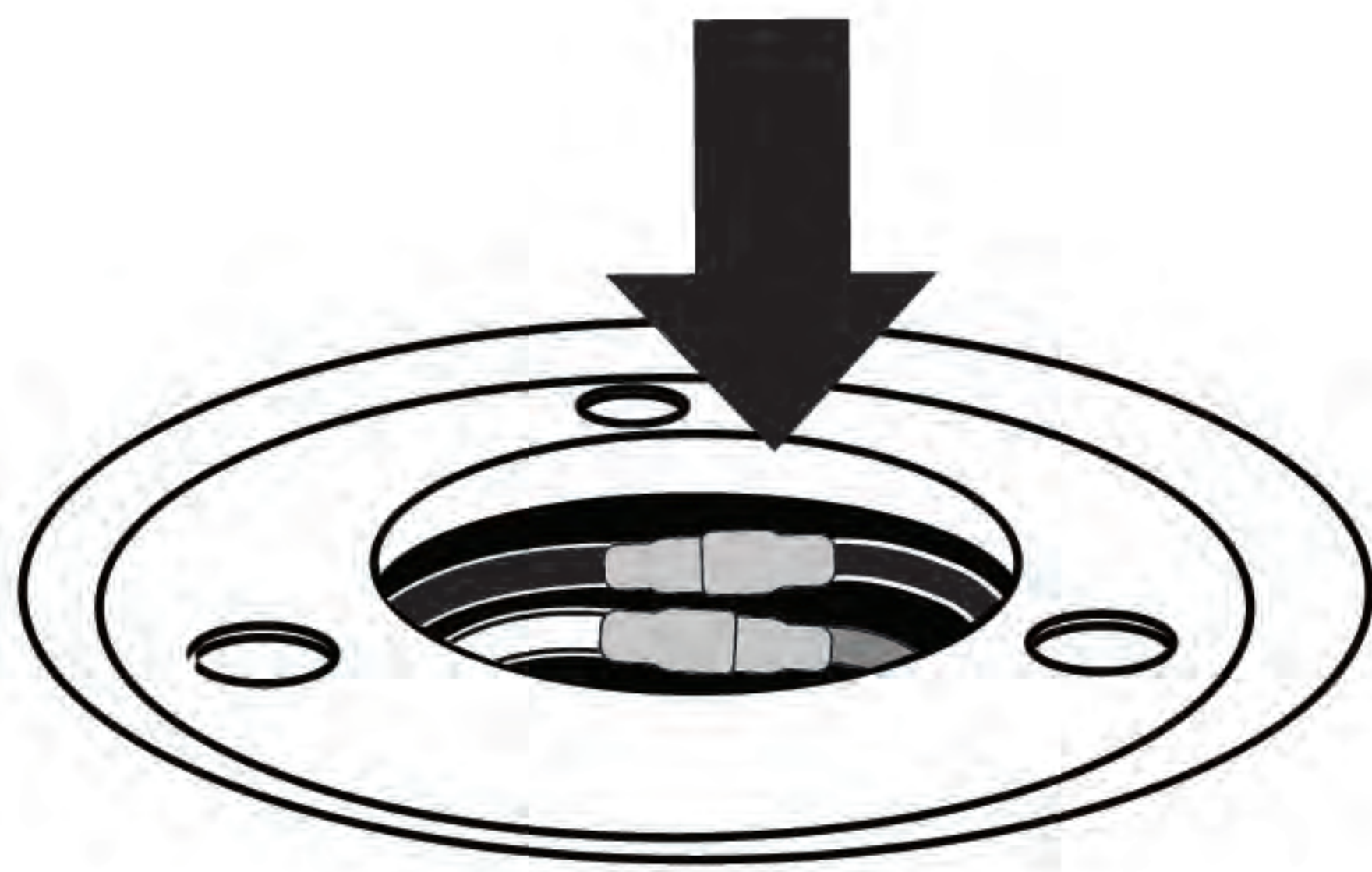
Grommet

Pull wire to back

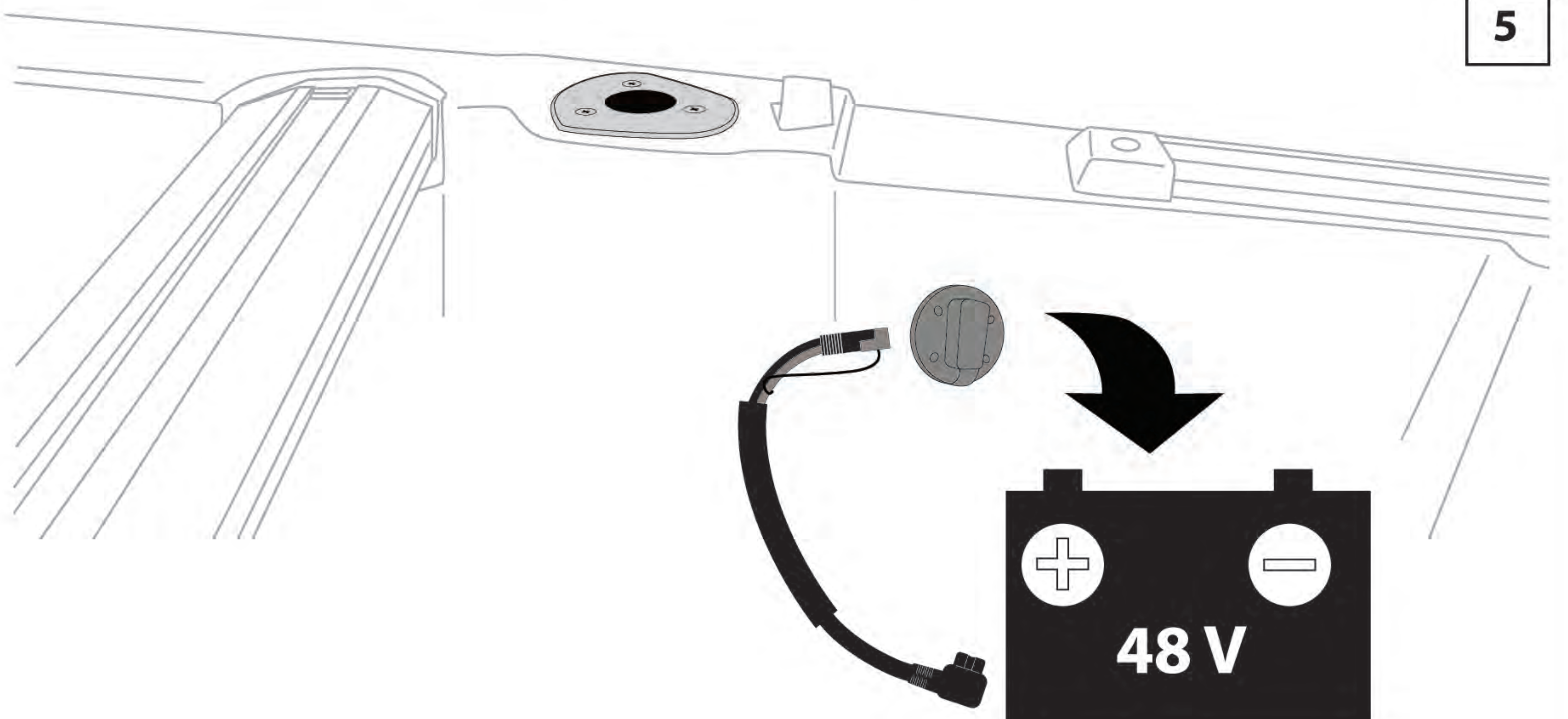
3.7

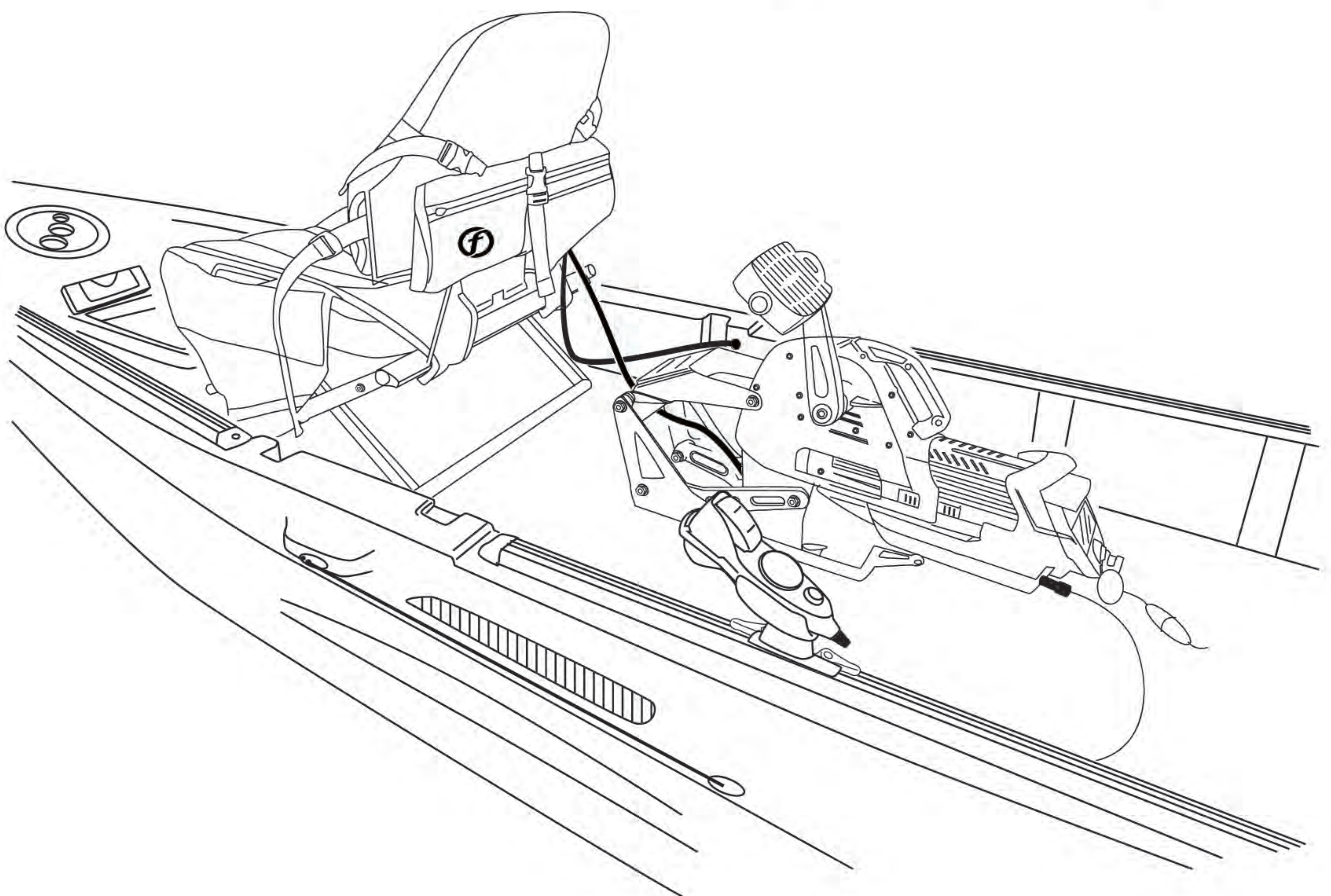
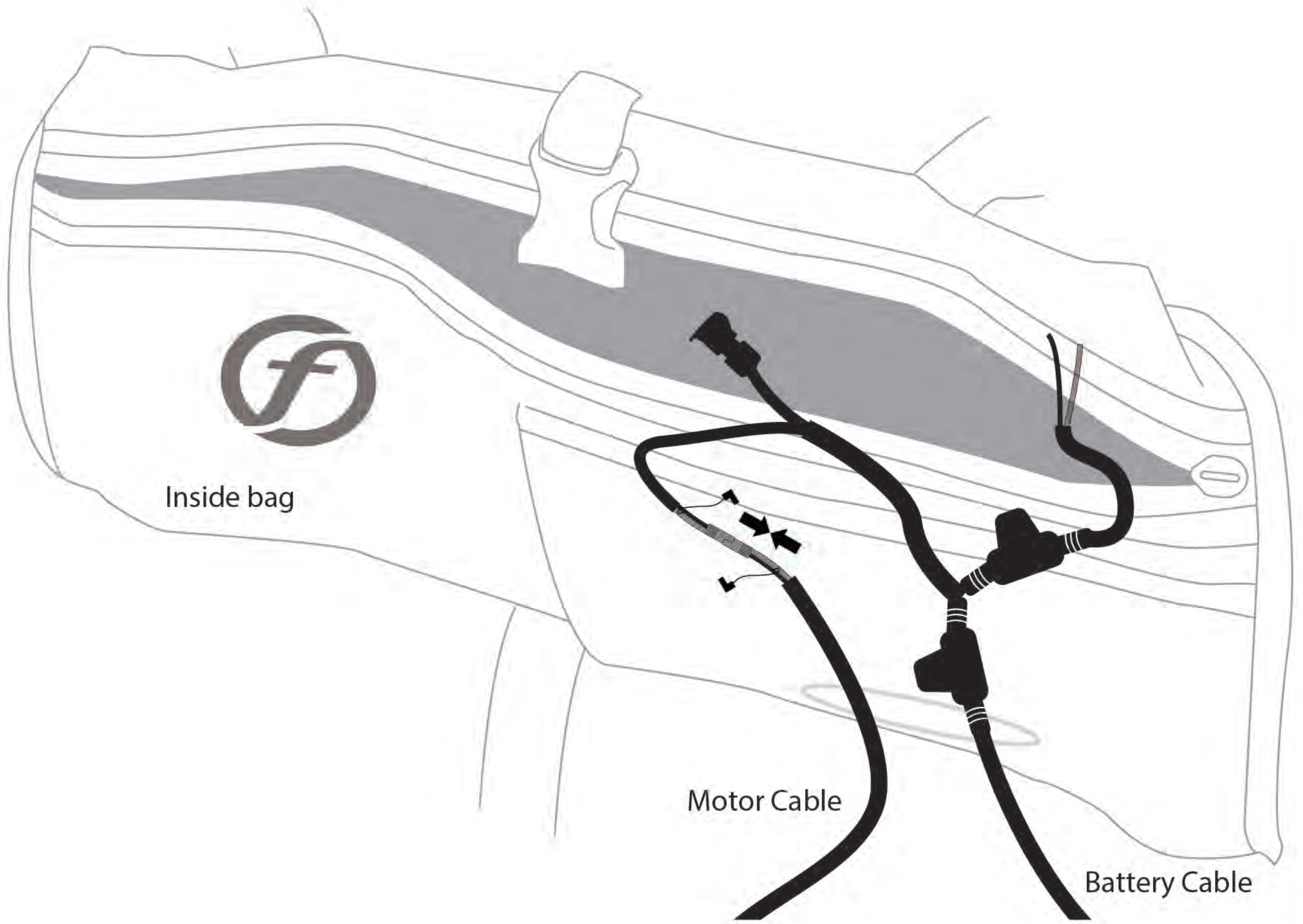


4



5







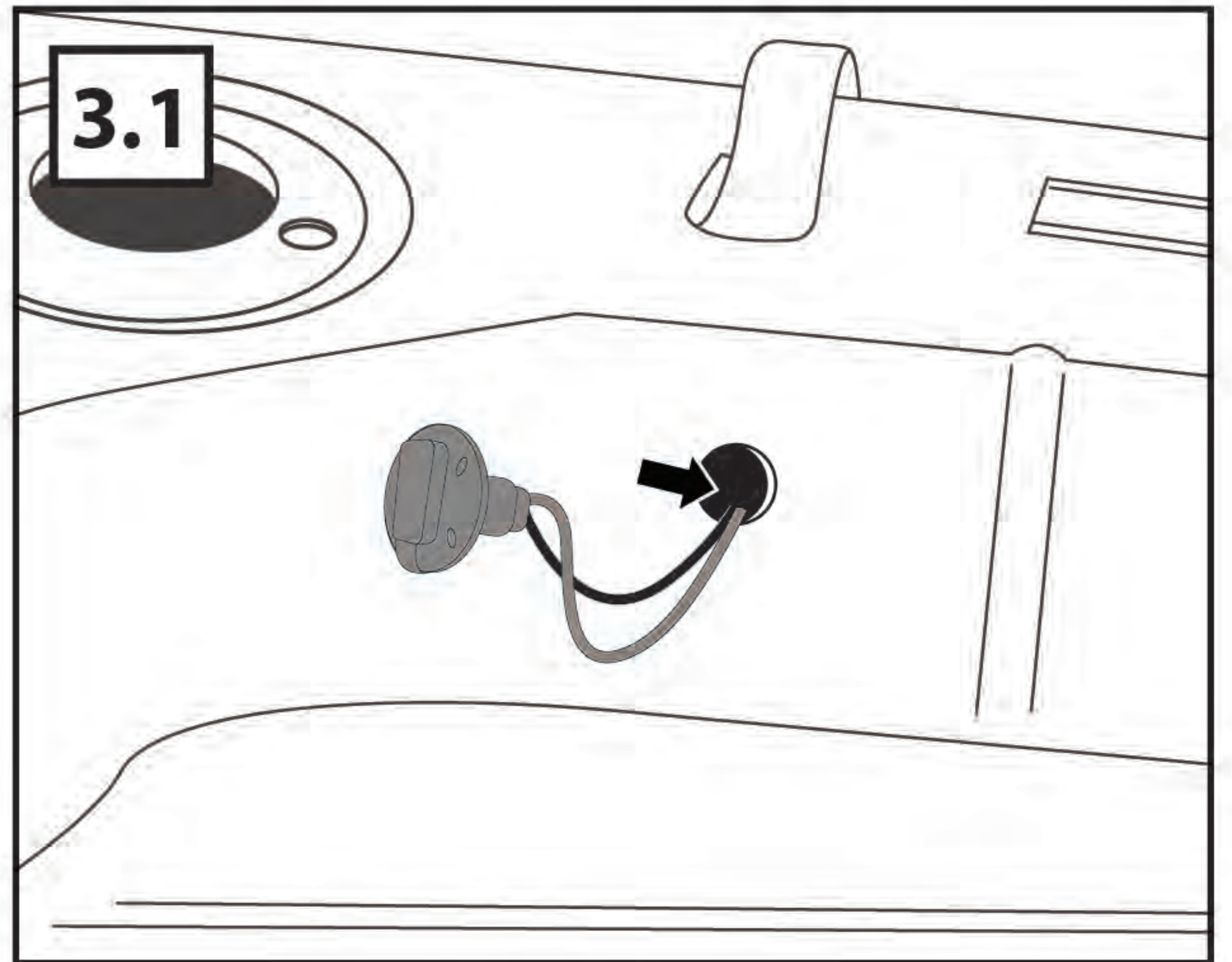
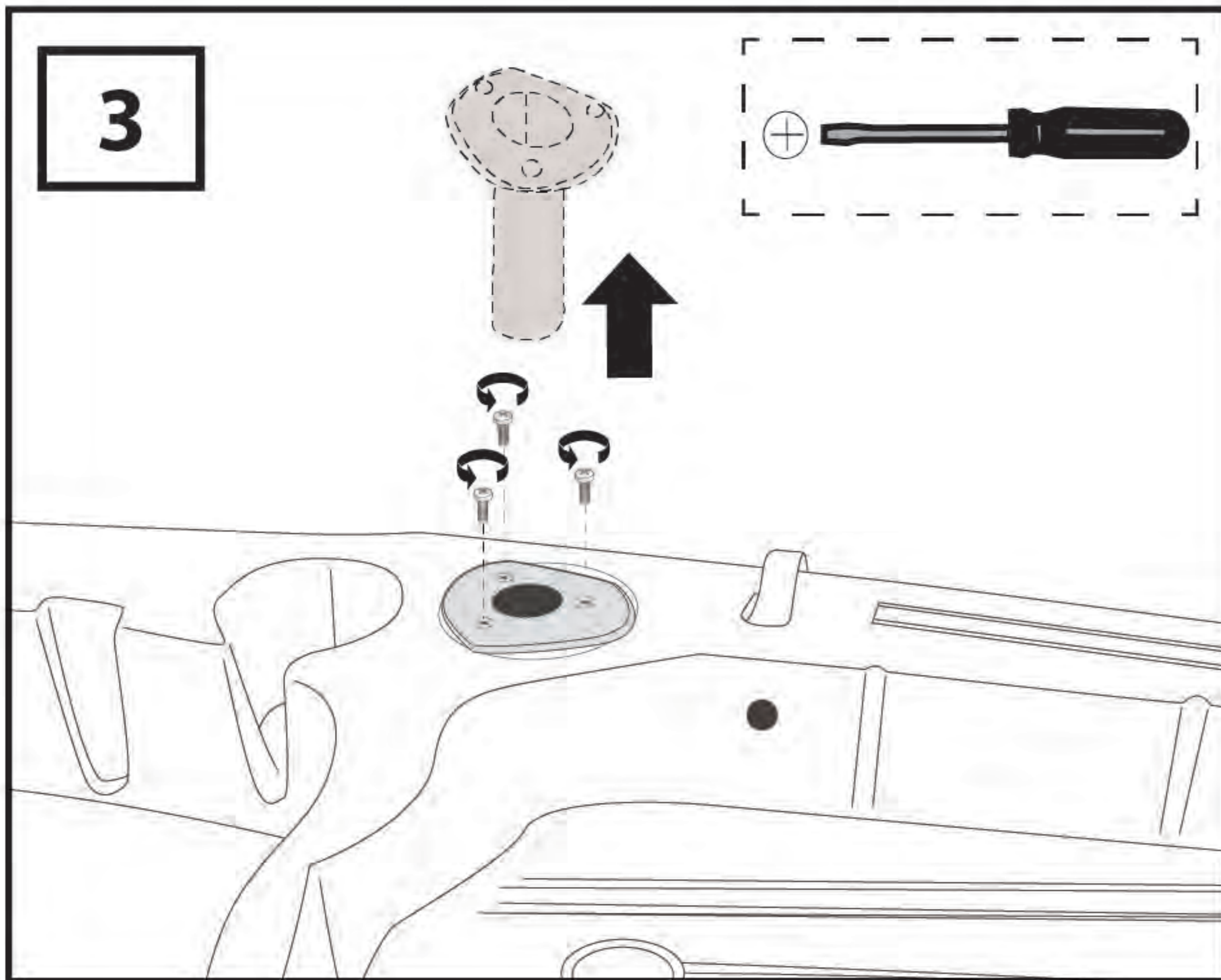
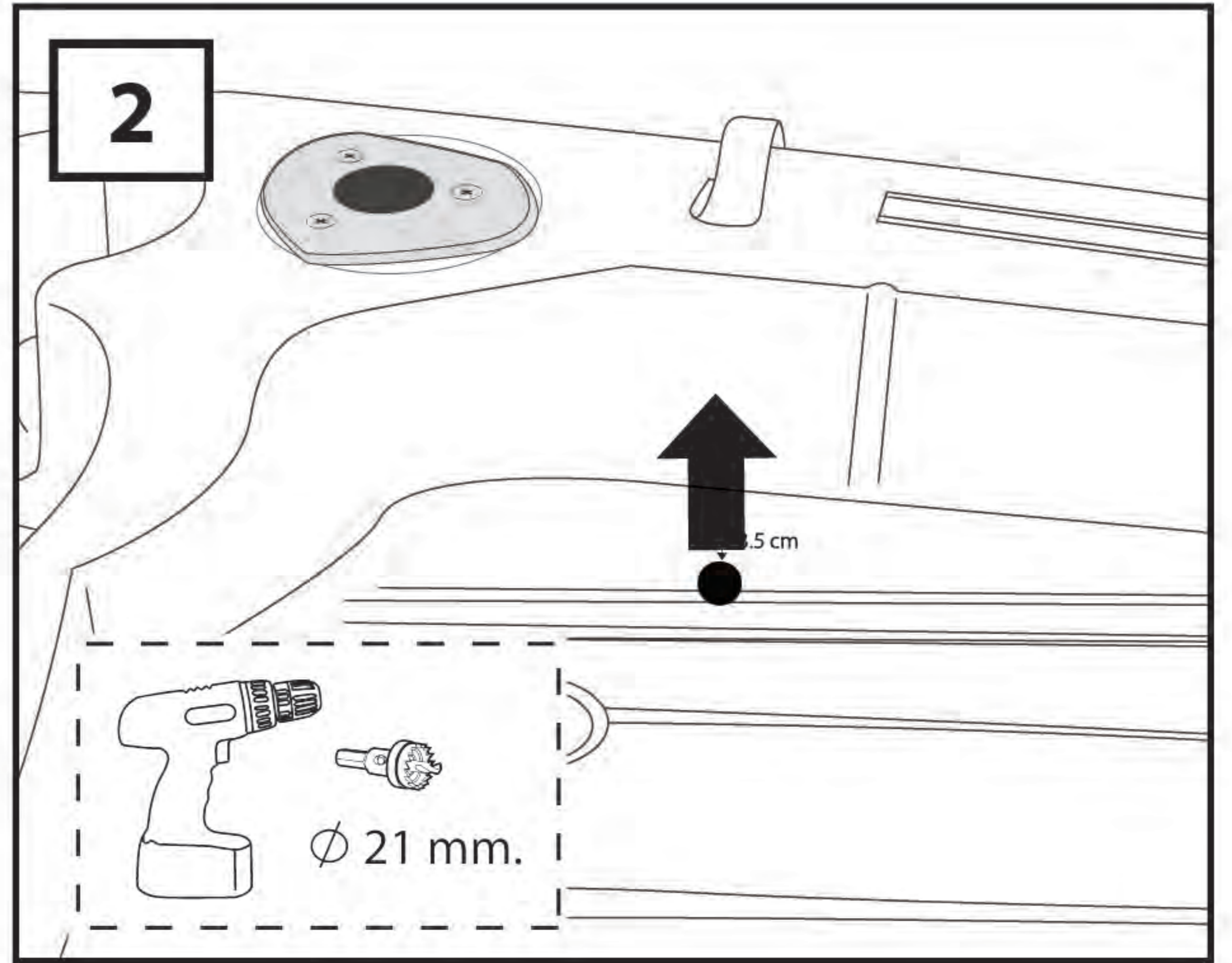
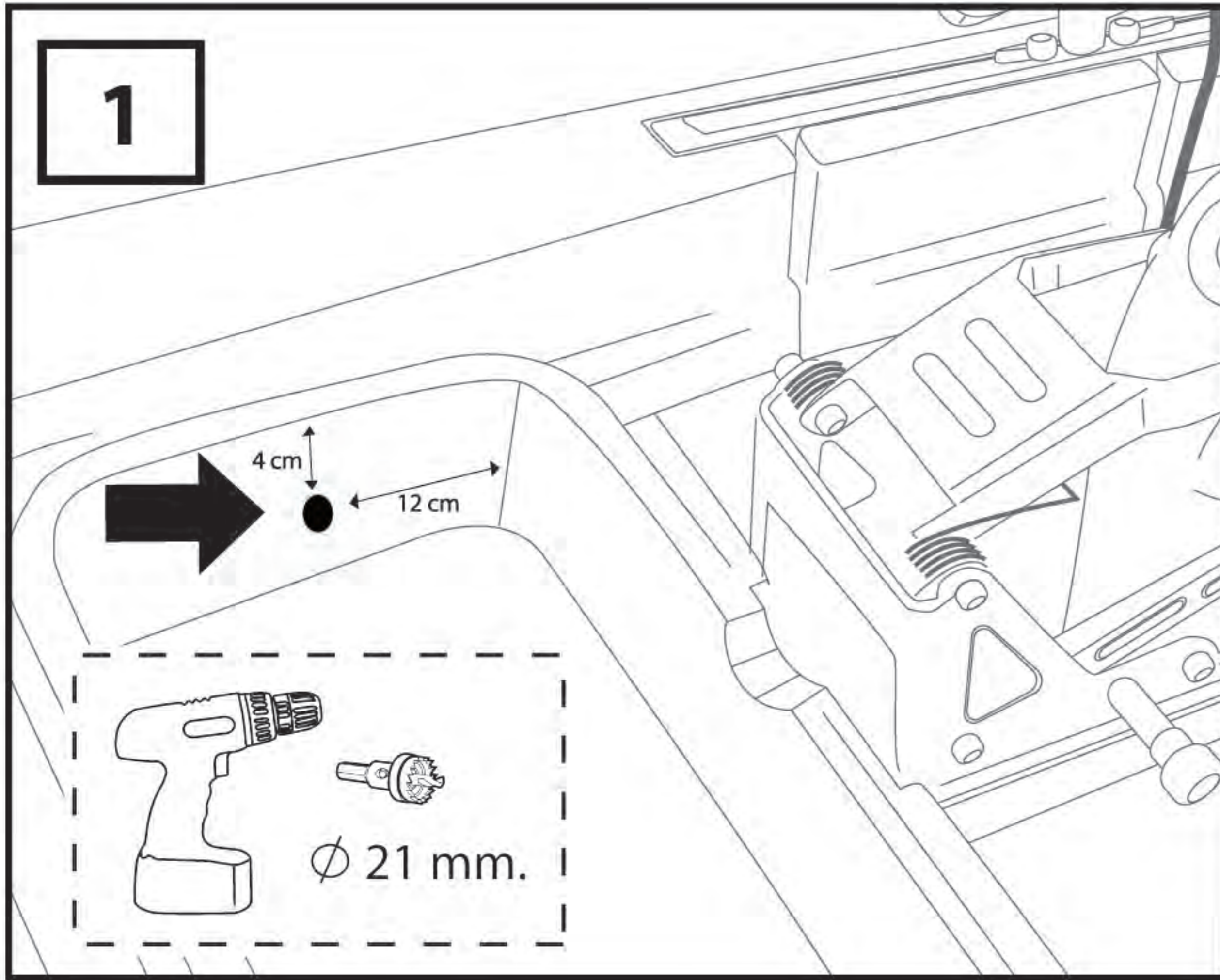
MOTORDRIVE 48V

Special Installation

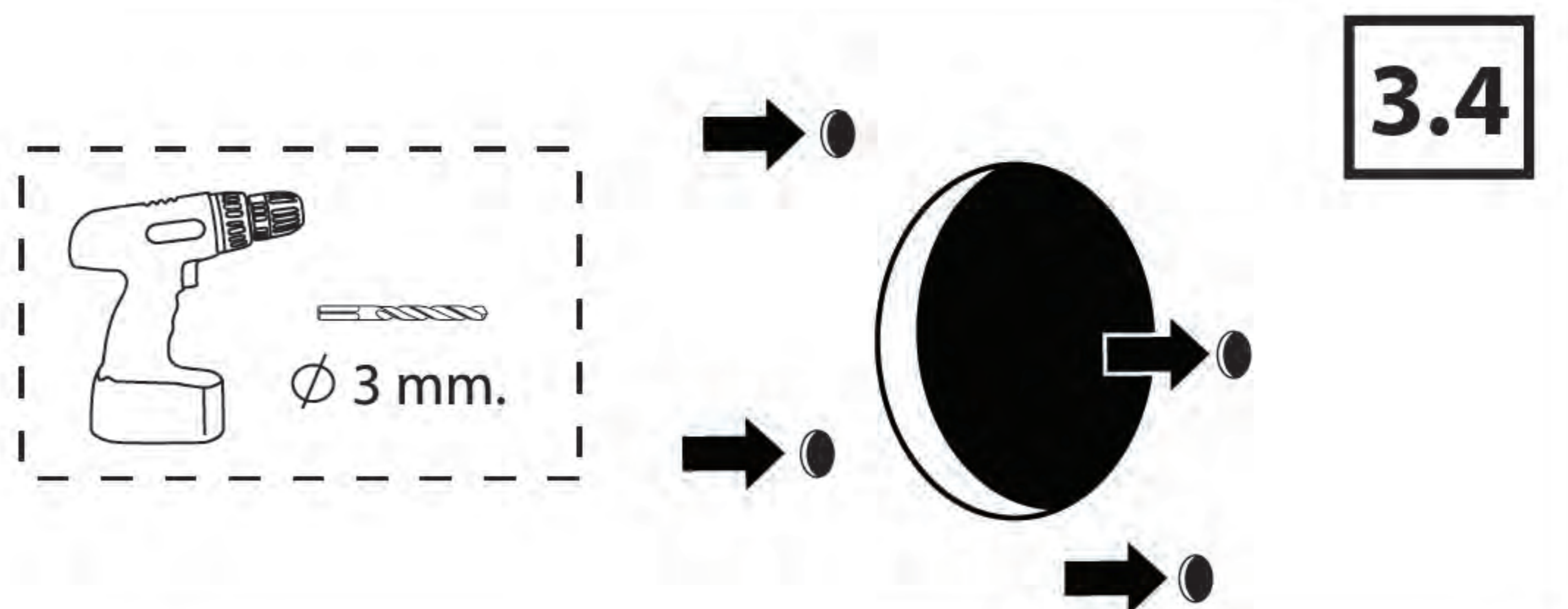
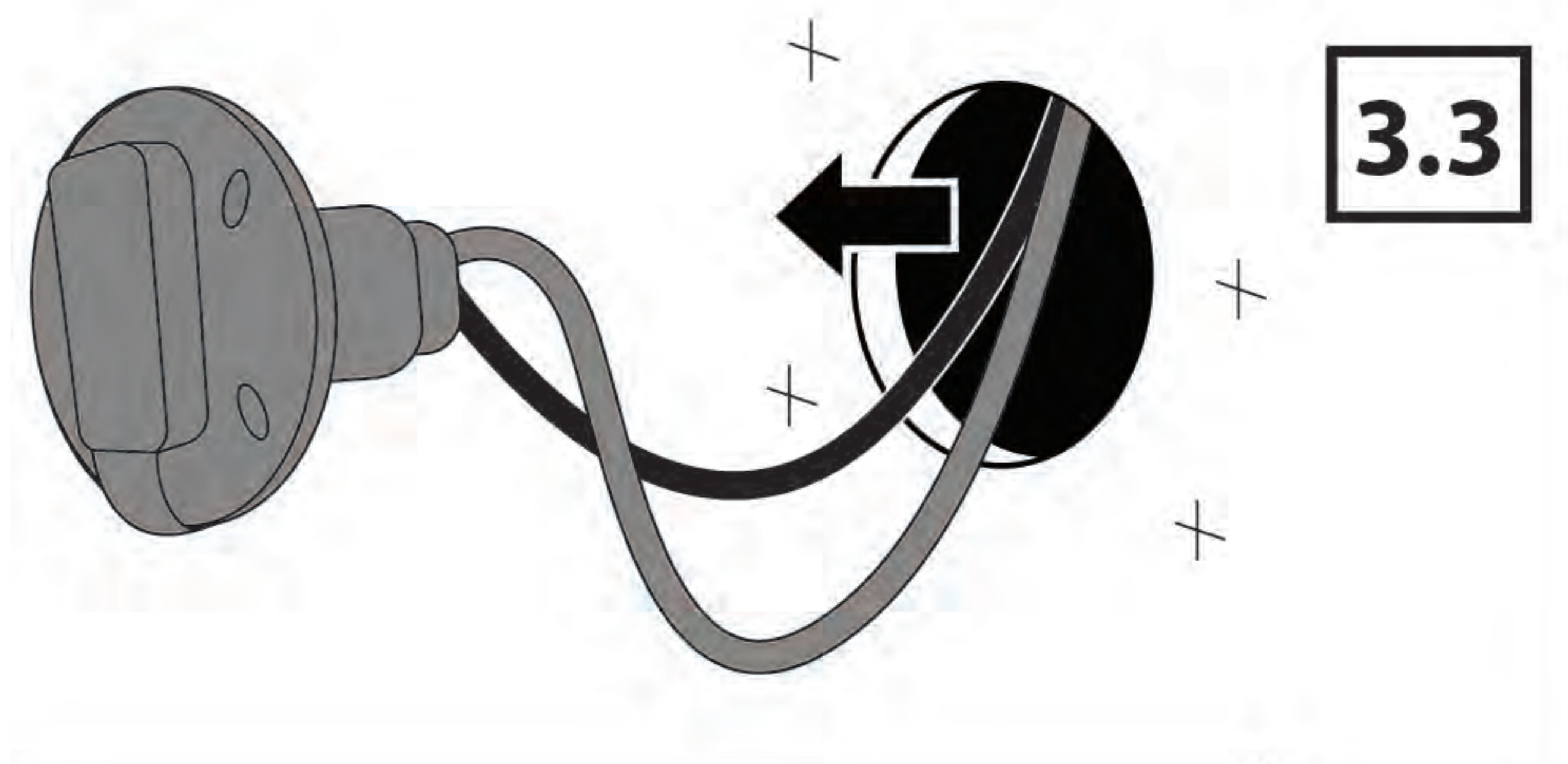
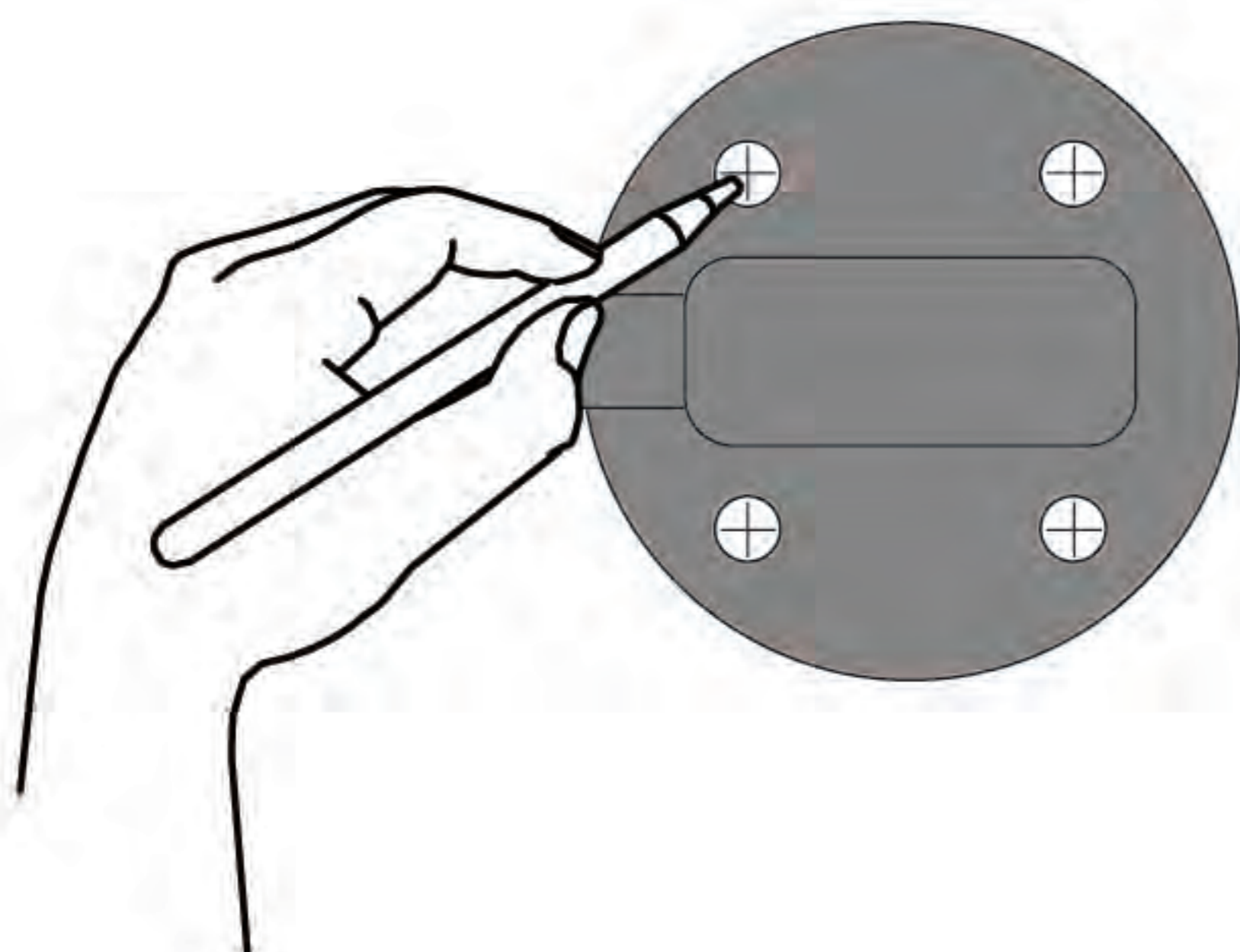
Instructions for Lure13.5 V.2

feelfree[®]
KAYAKS

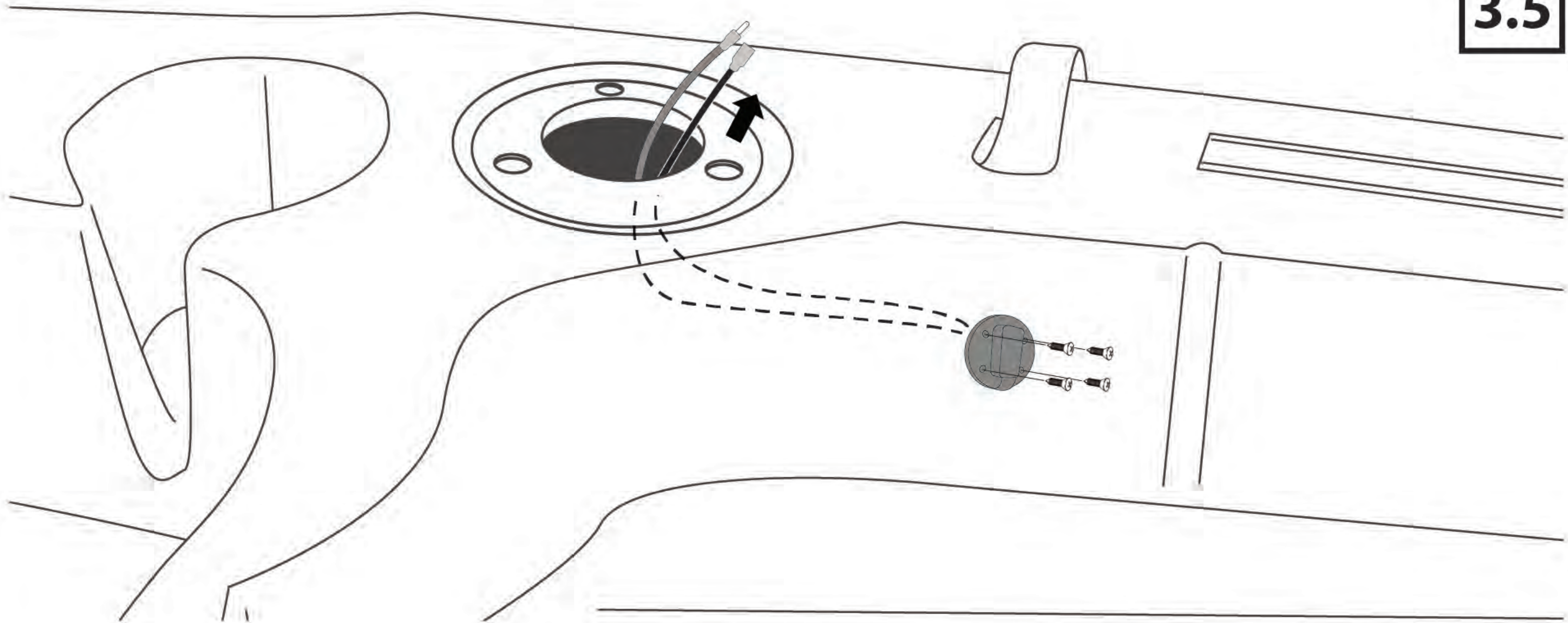
Battery cable installation for Lure 13.5



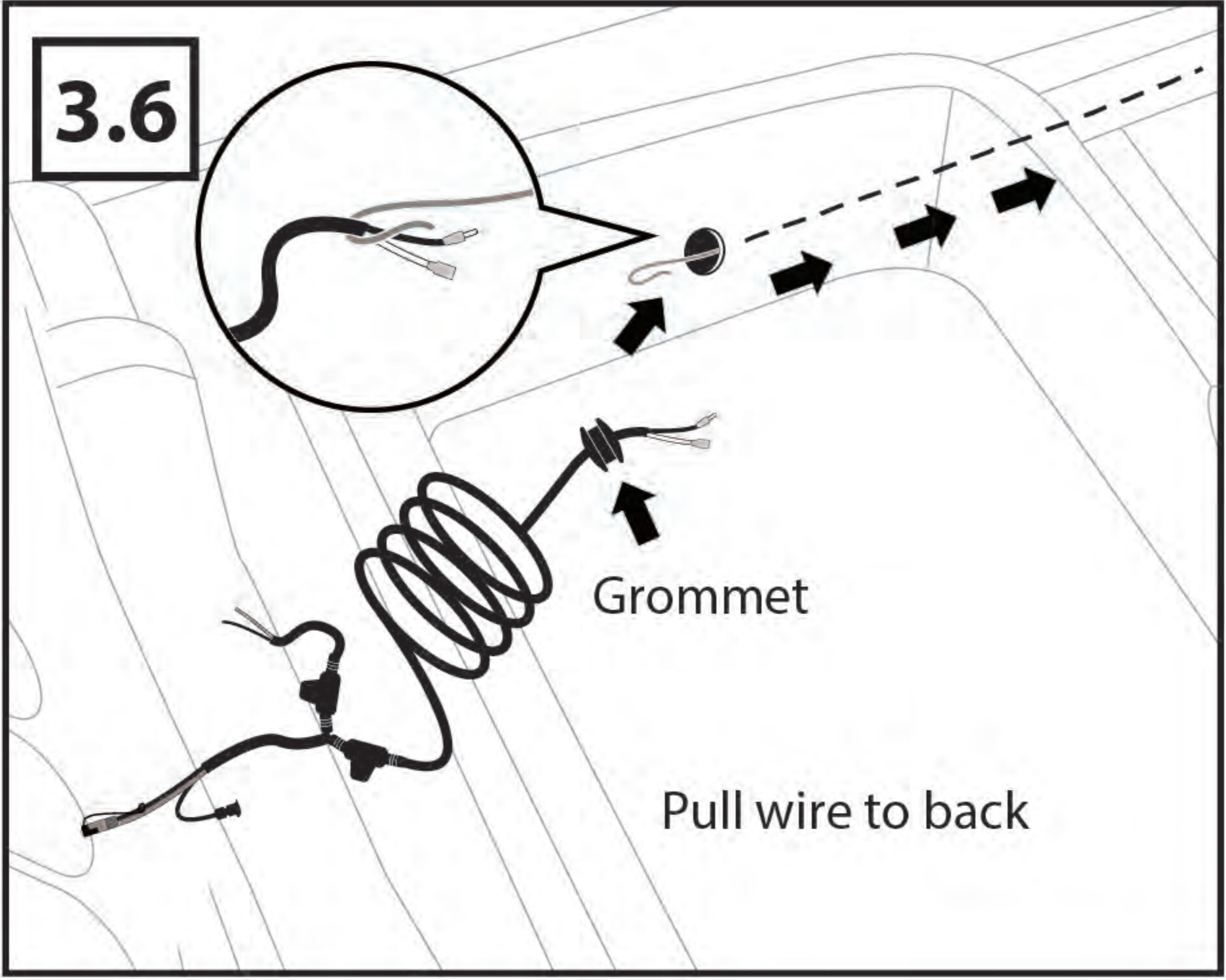
3.2 Mark before drilling



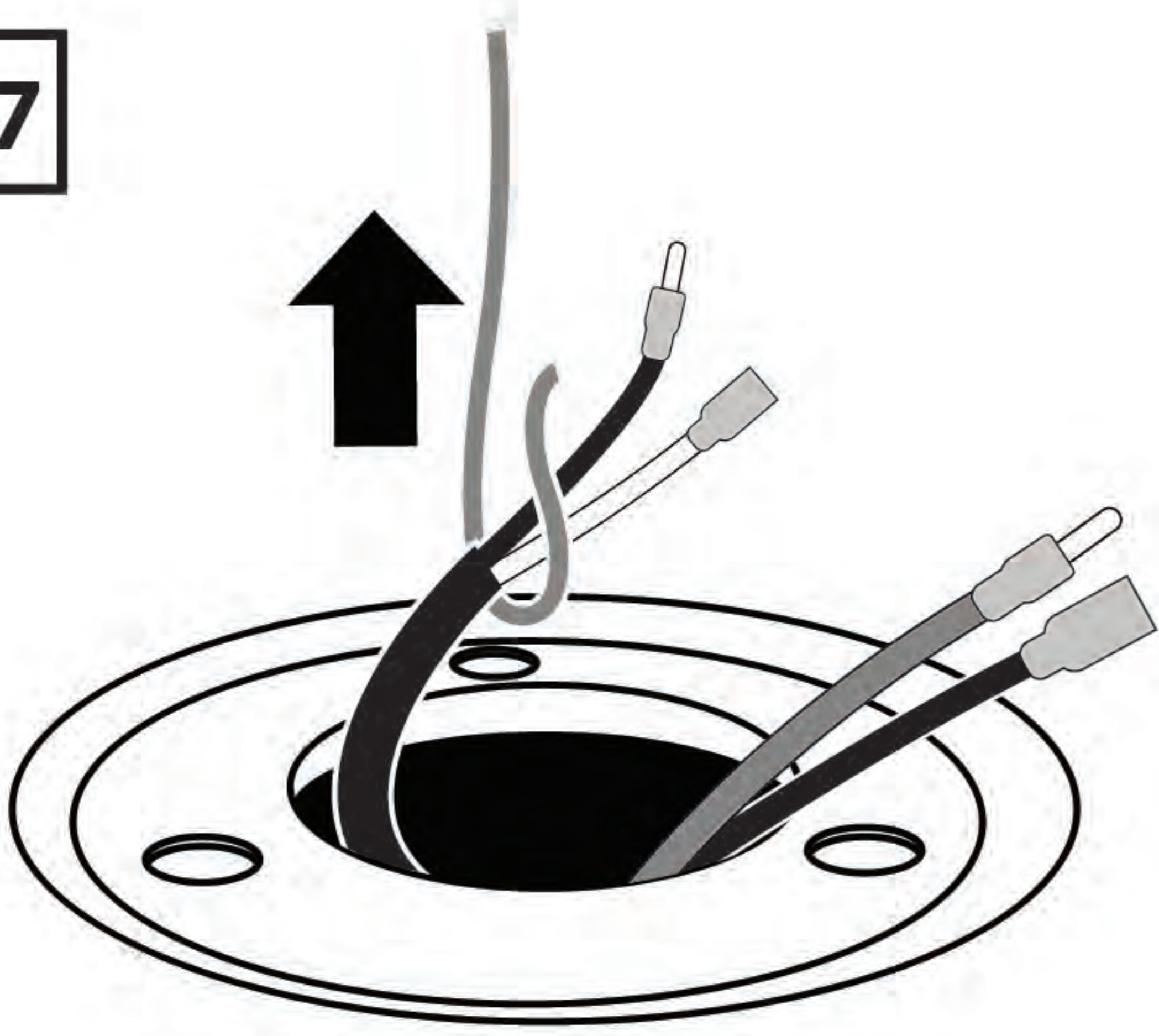
3.5



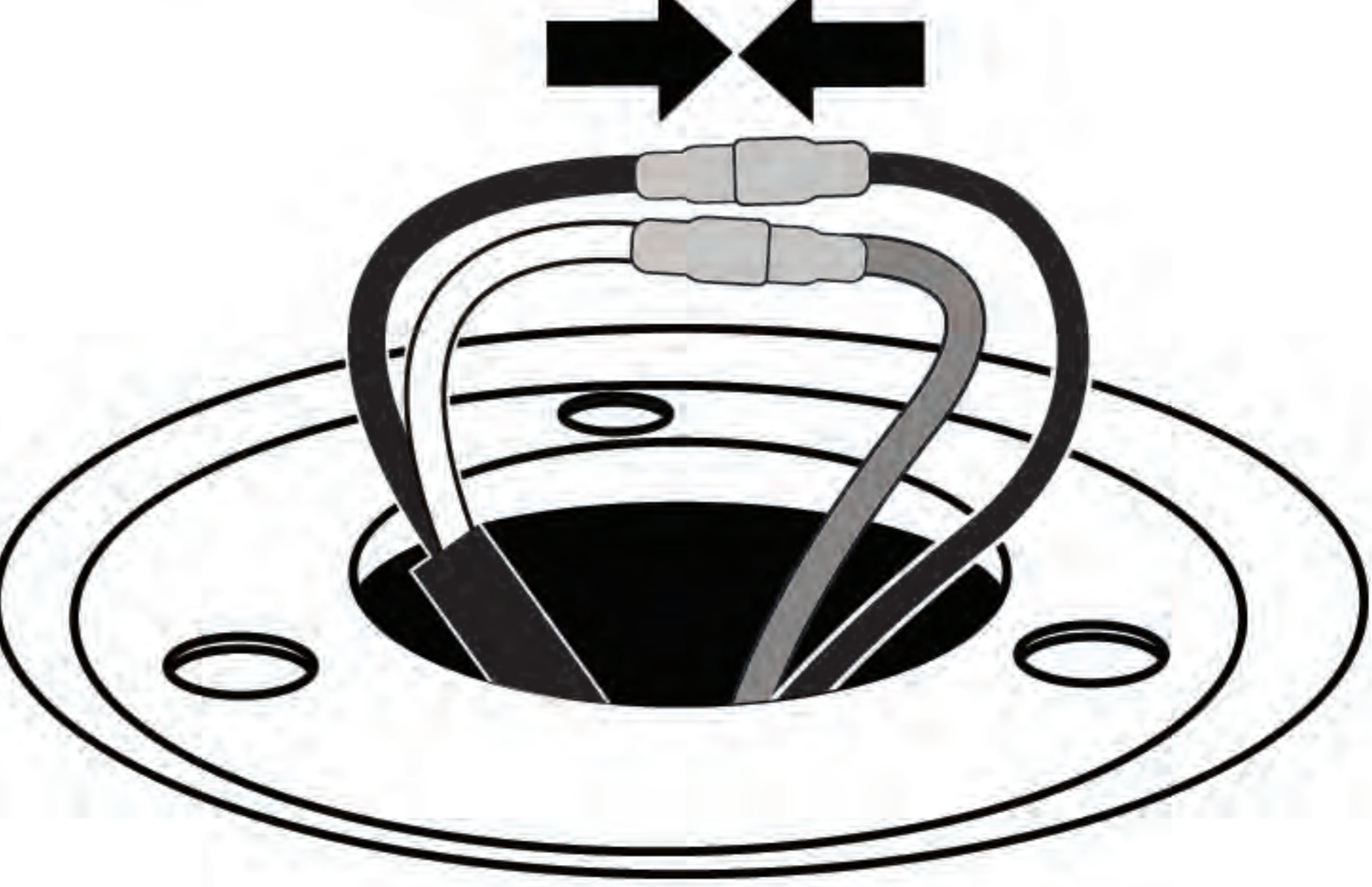
3.6



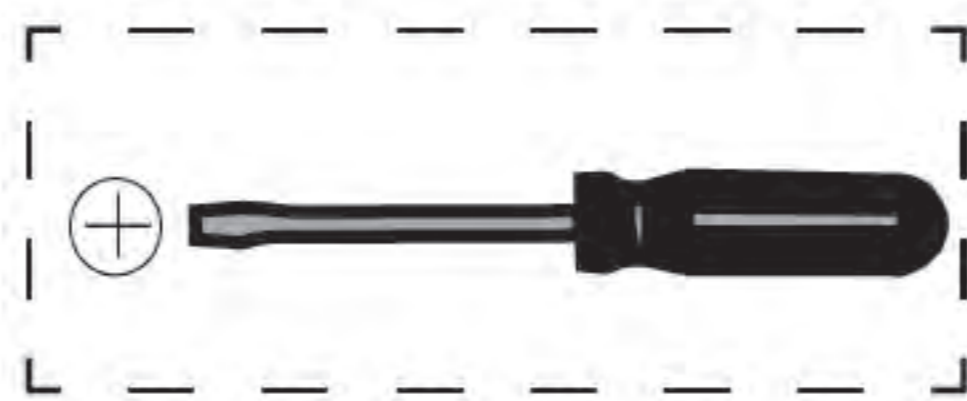
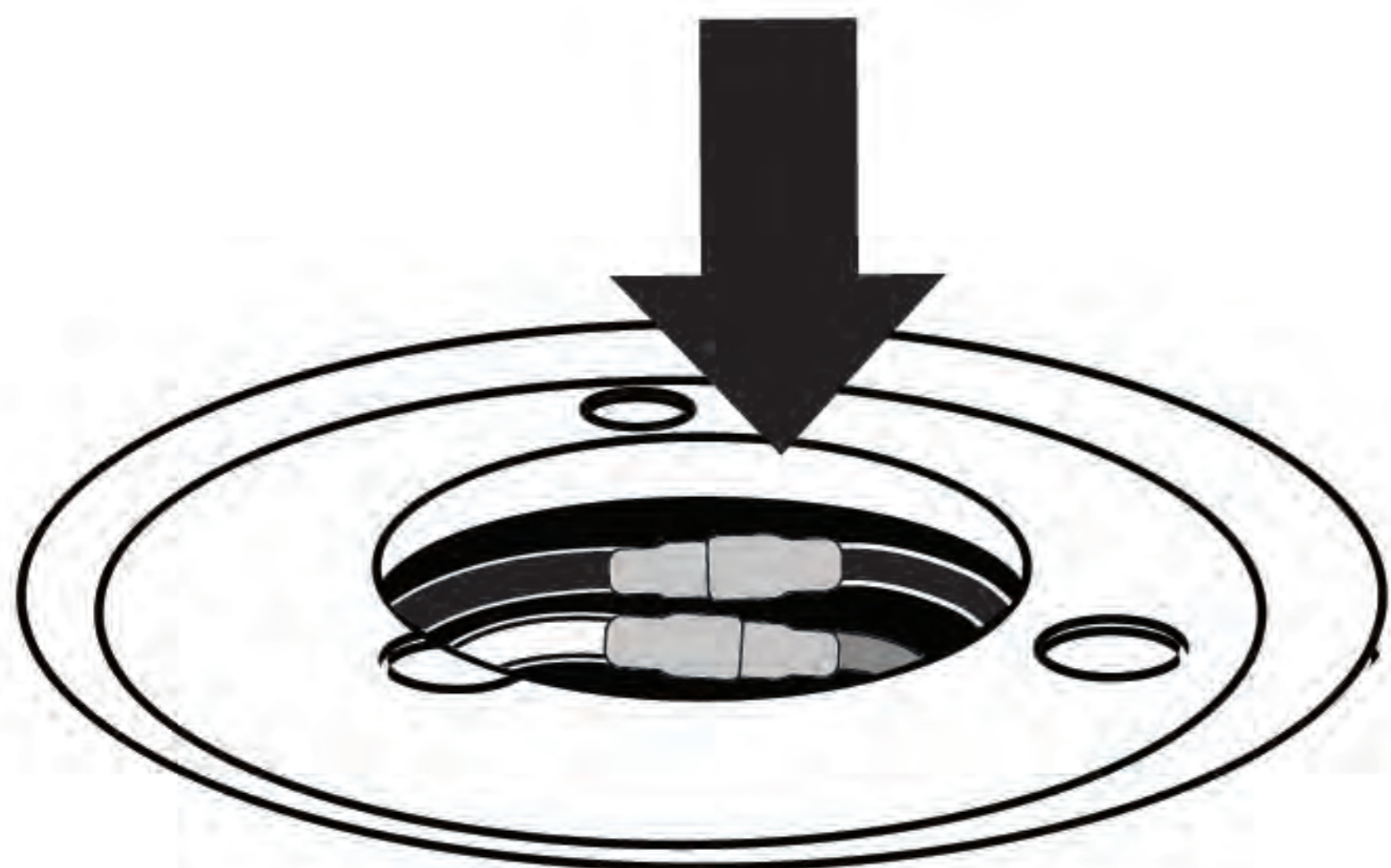
3.7



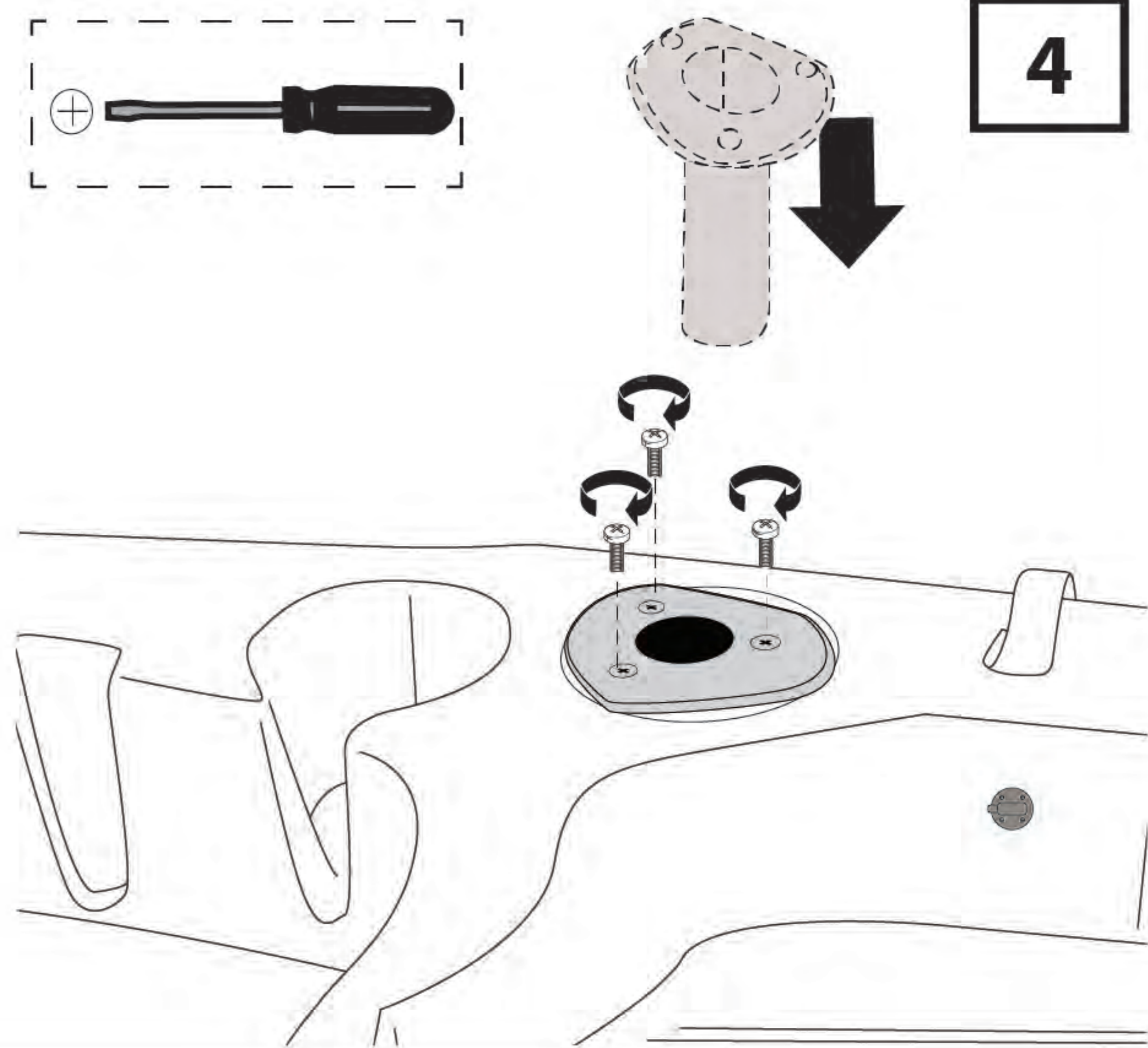
3.8



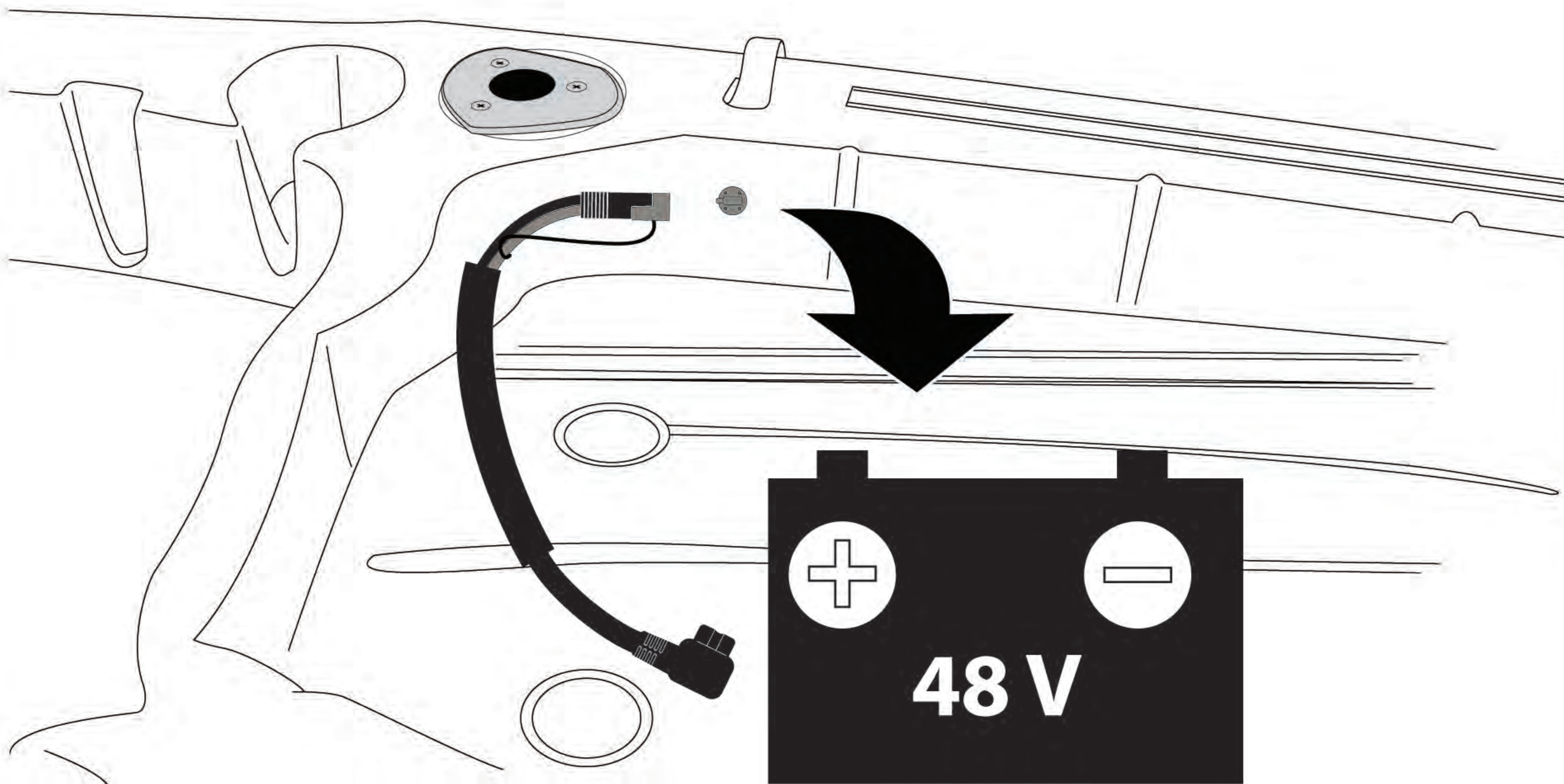
3.9

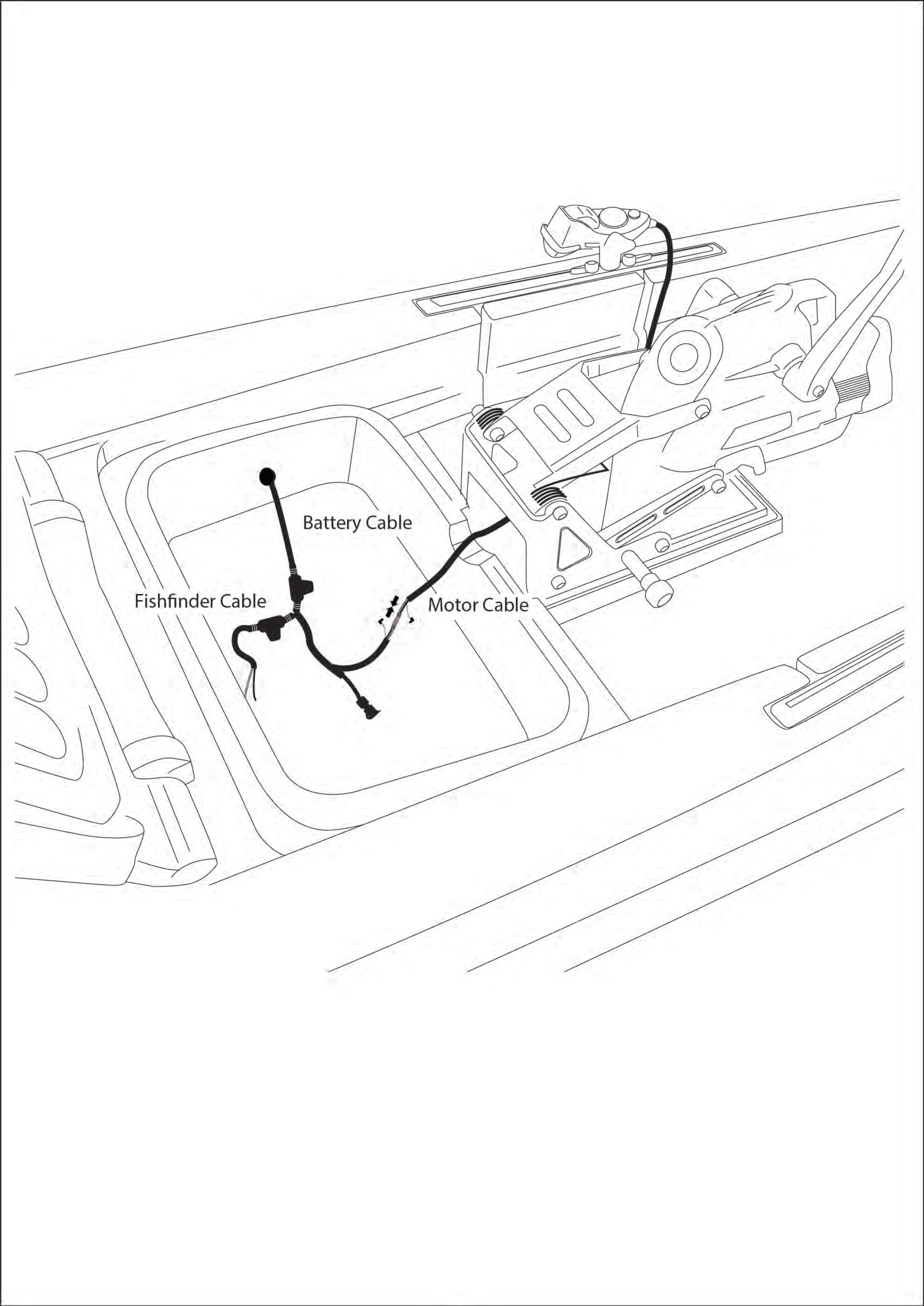


4



5

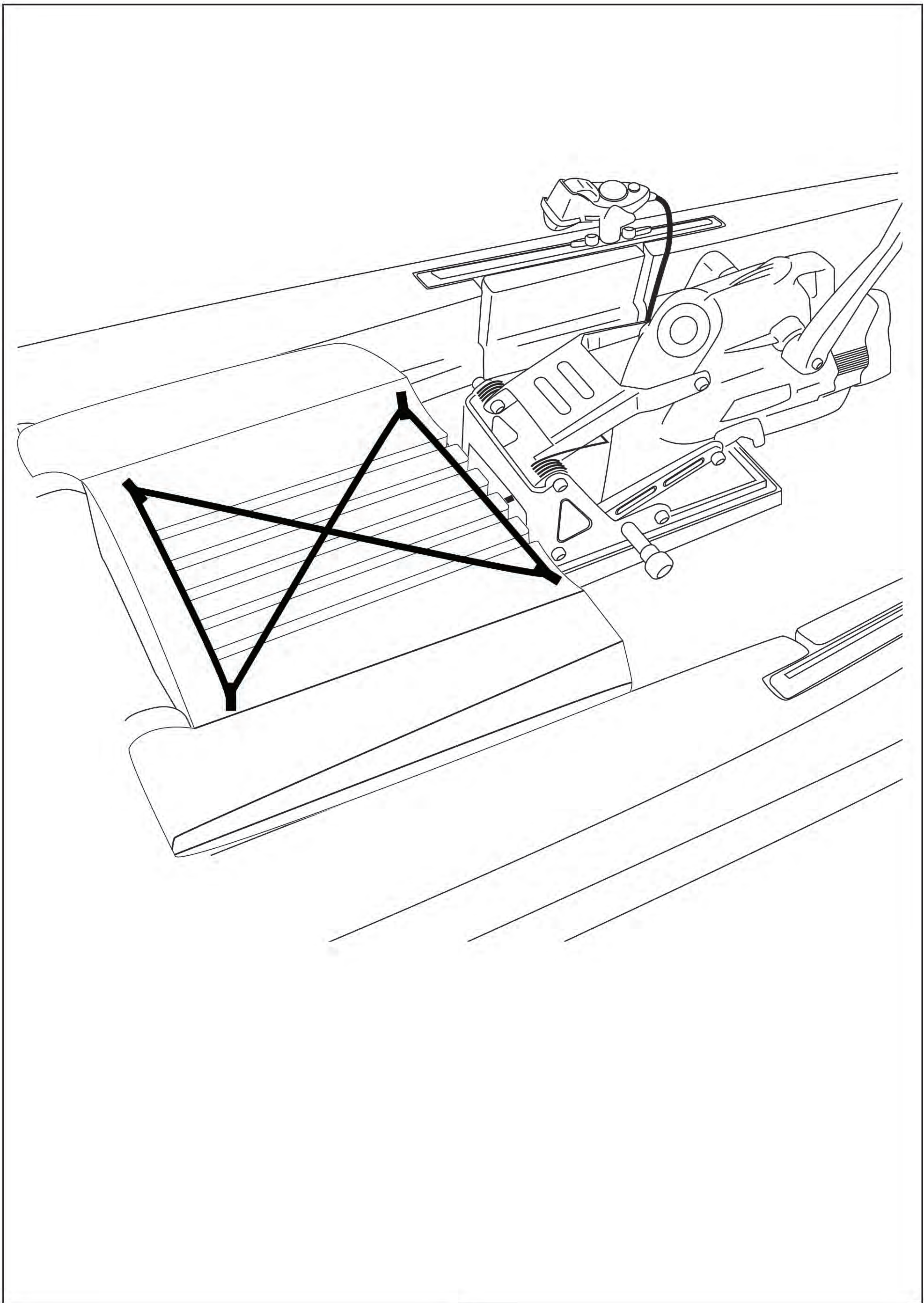




Battery Cable

Fishfinder Cable

Motor Cable





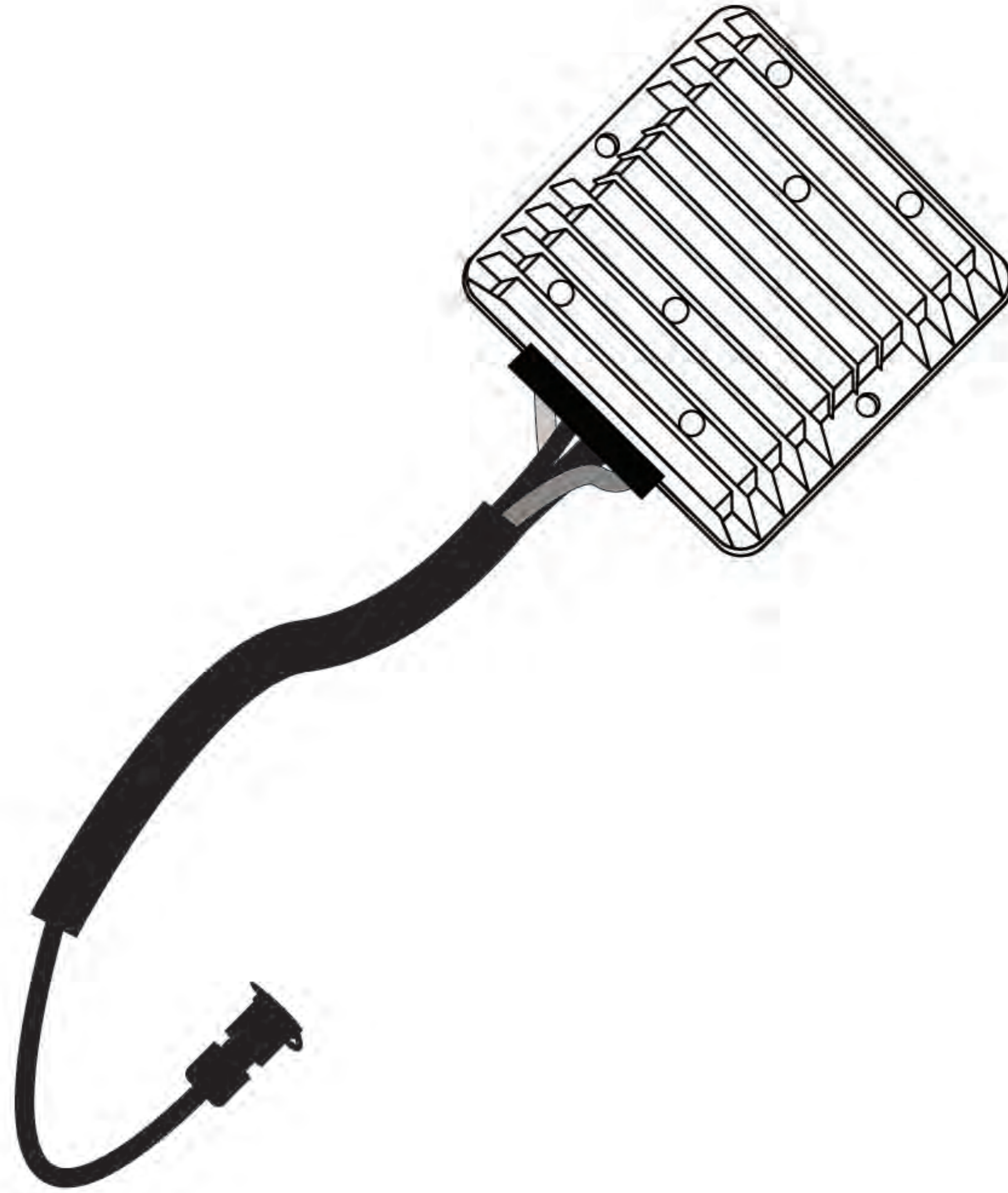
MOTORDRIVE 48V

Optional 12 Volt Converter Instructions

For adding accessories [fishfinder, etc] and
NOT for running a 12V motor or battery.

feelfree[®]
KAYAKS

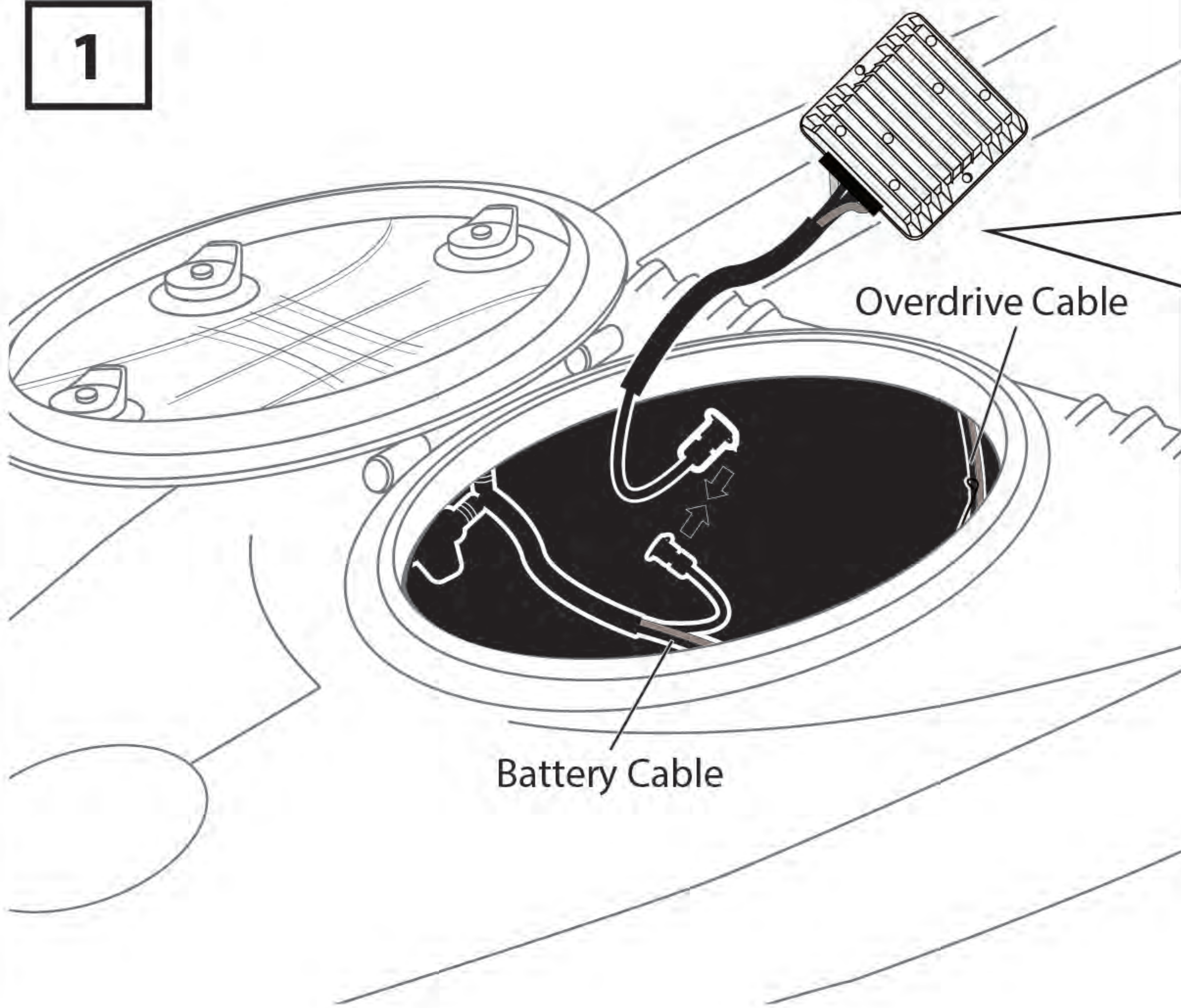
No.	Part number	Description	Qty.
1	5002	48 V. to 12 V. Converter	1



Do not hook 12 V. products to 48 V. battery without converter

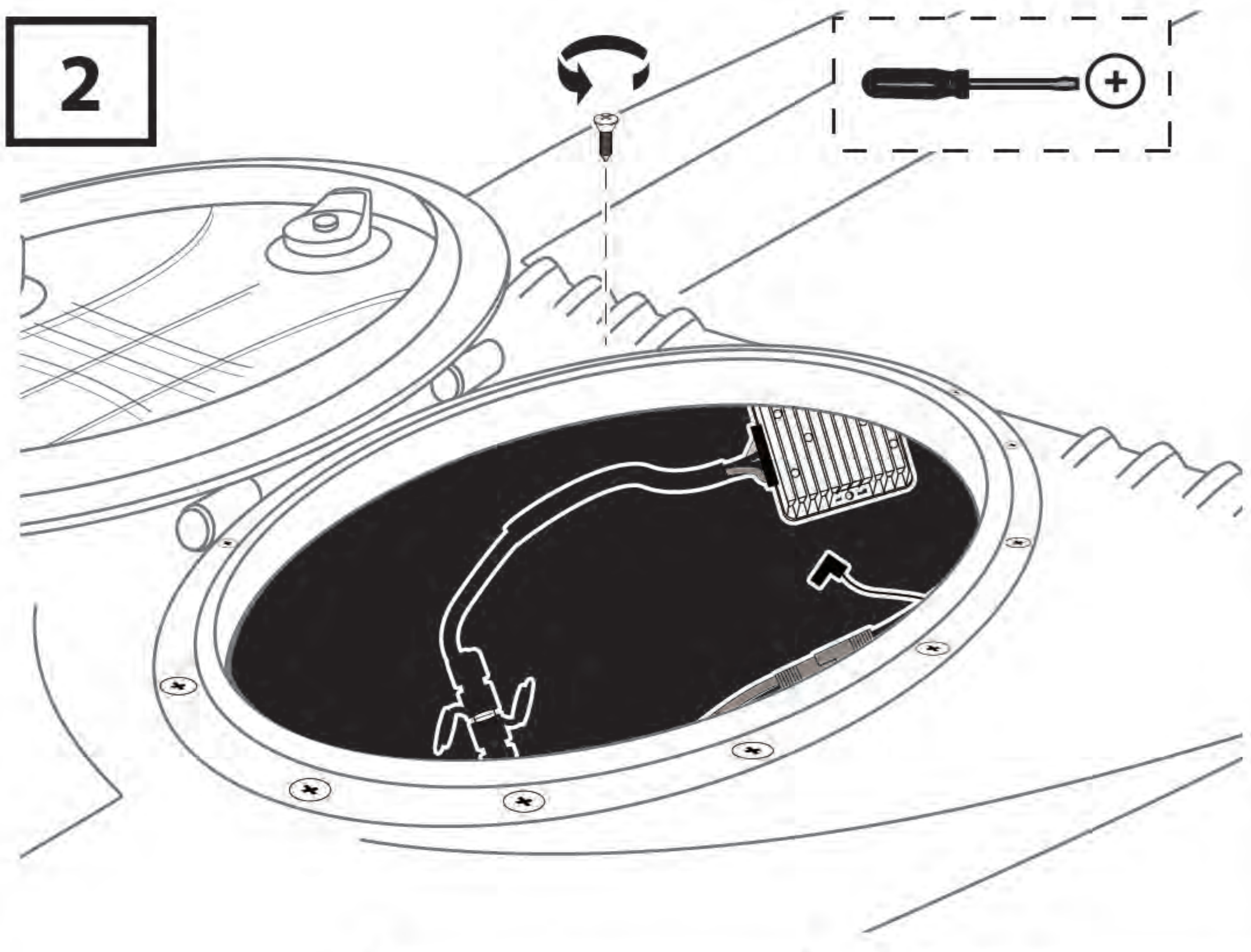
Lure 11.5

1

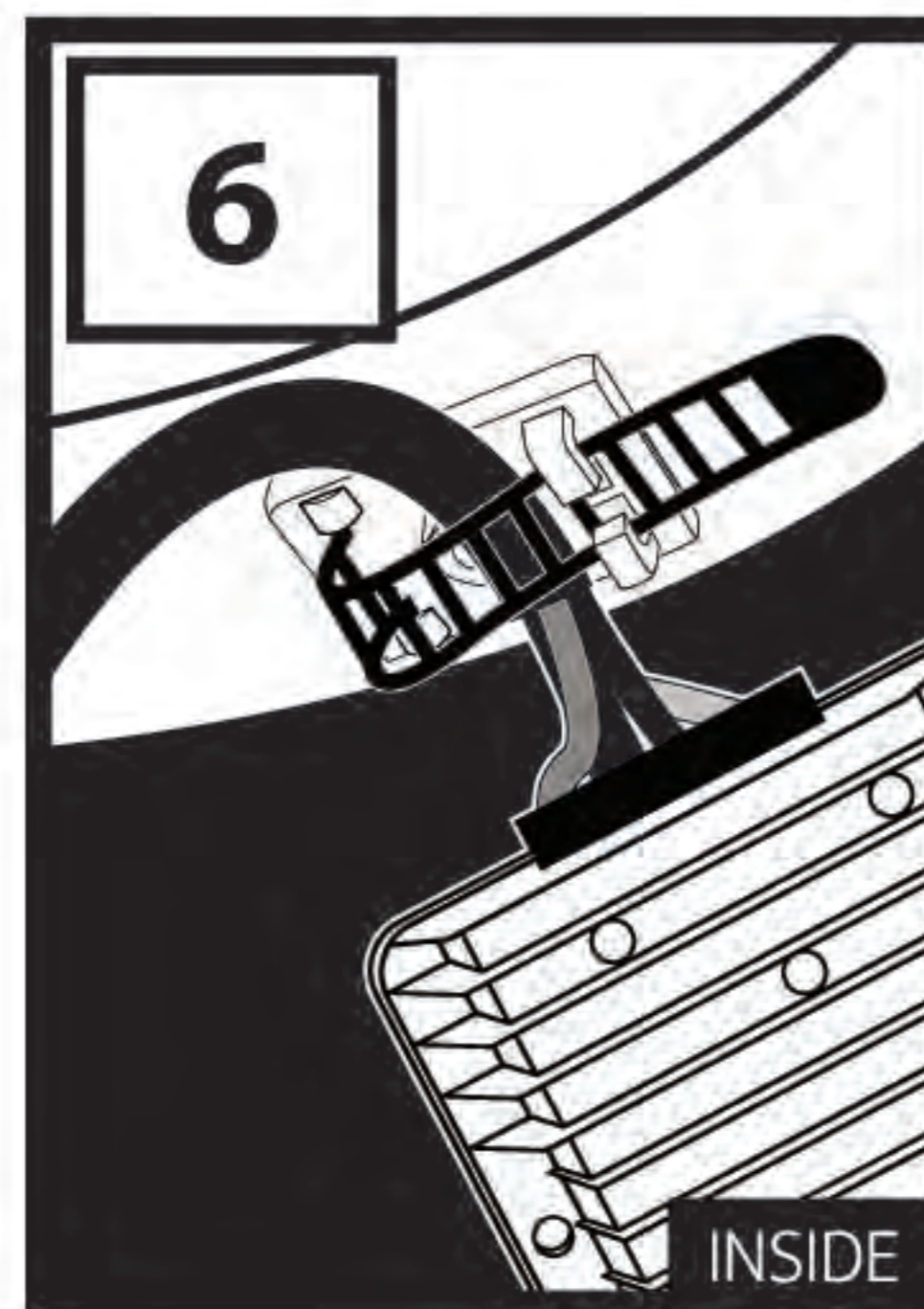
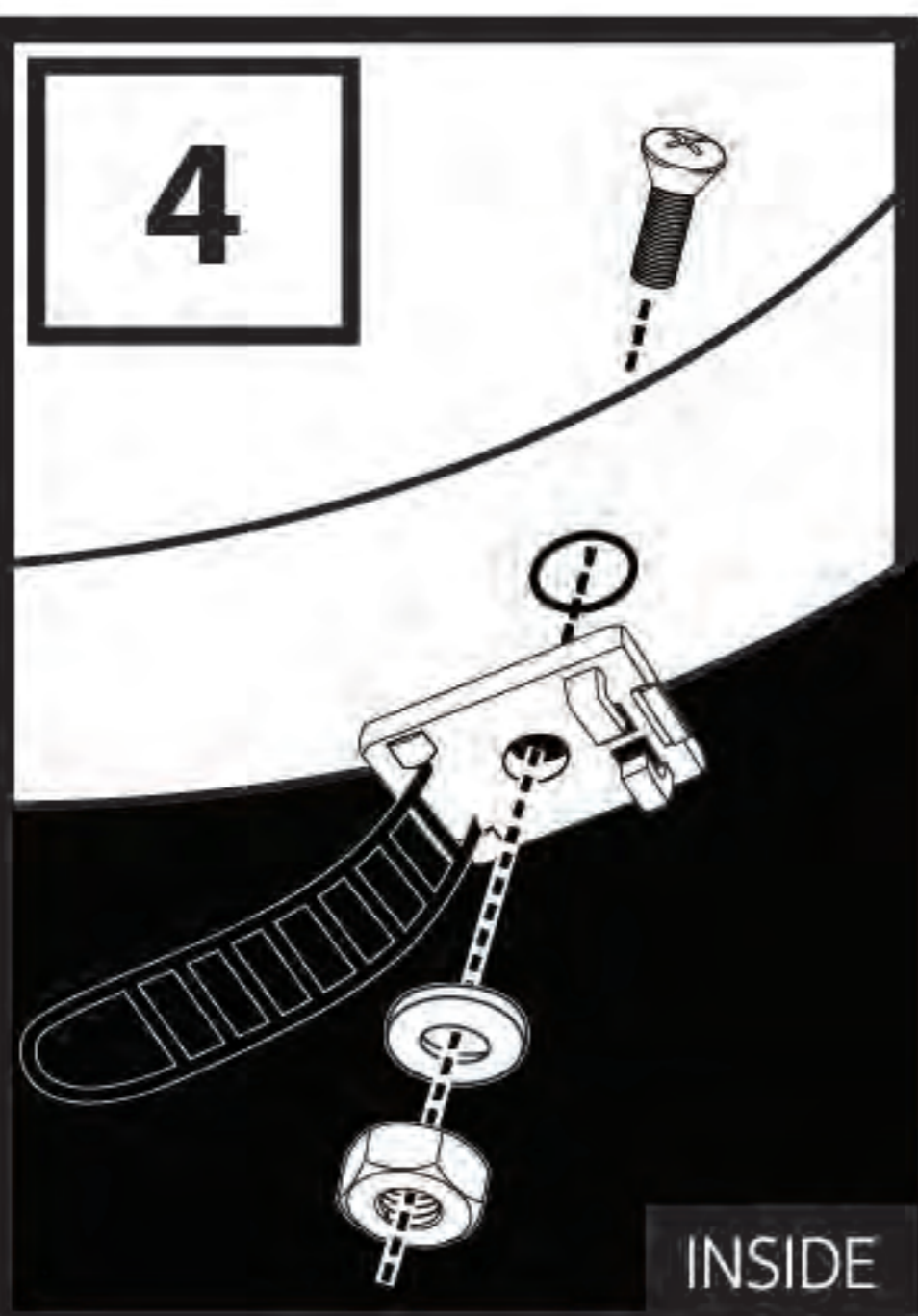


When powering a 12V accessory with your 48V battery, use the 12V converter

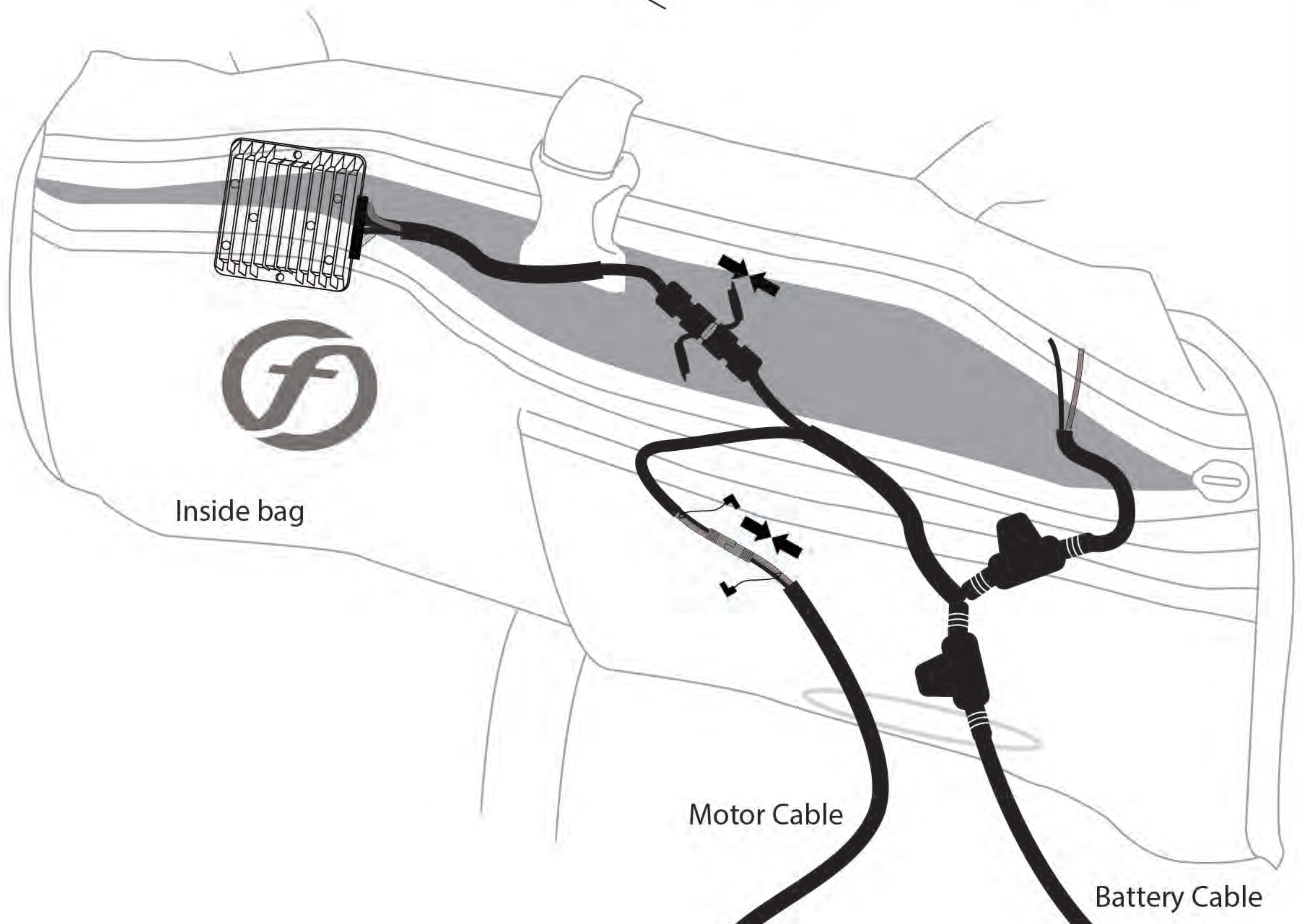
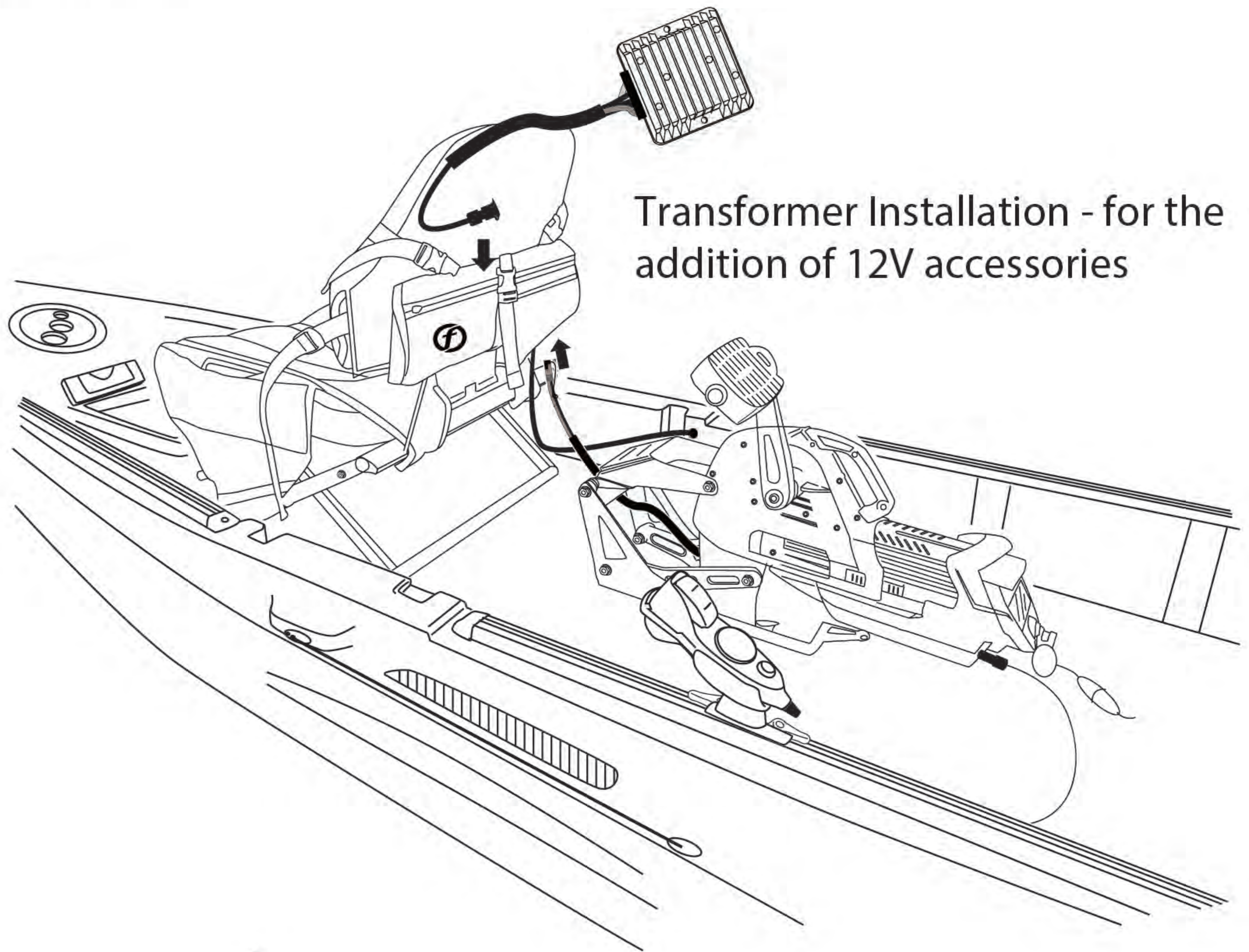
2



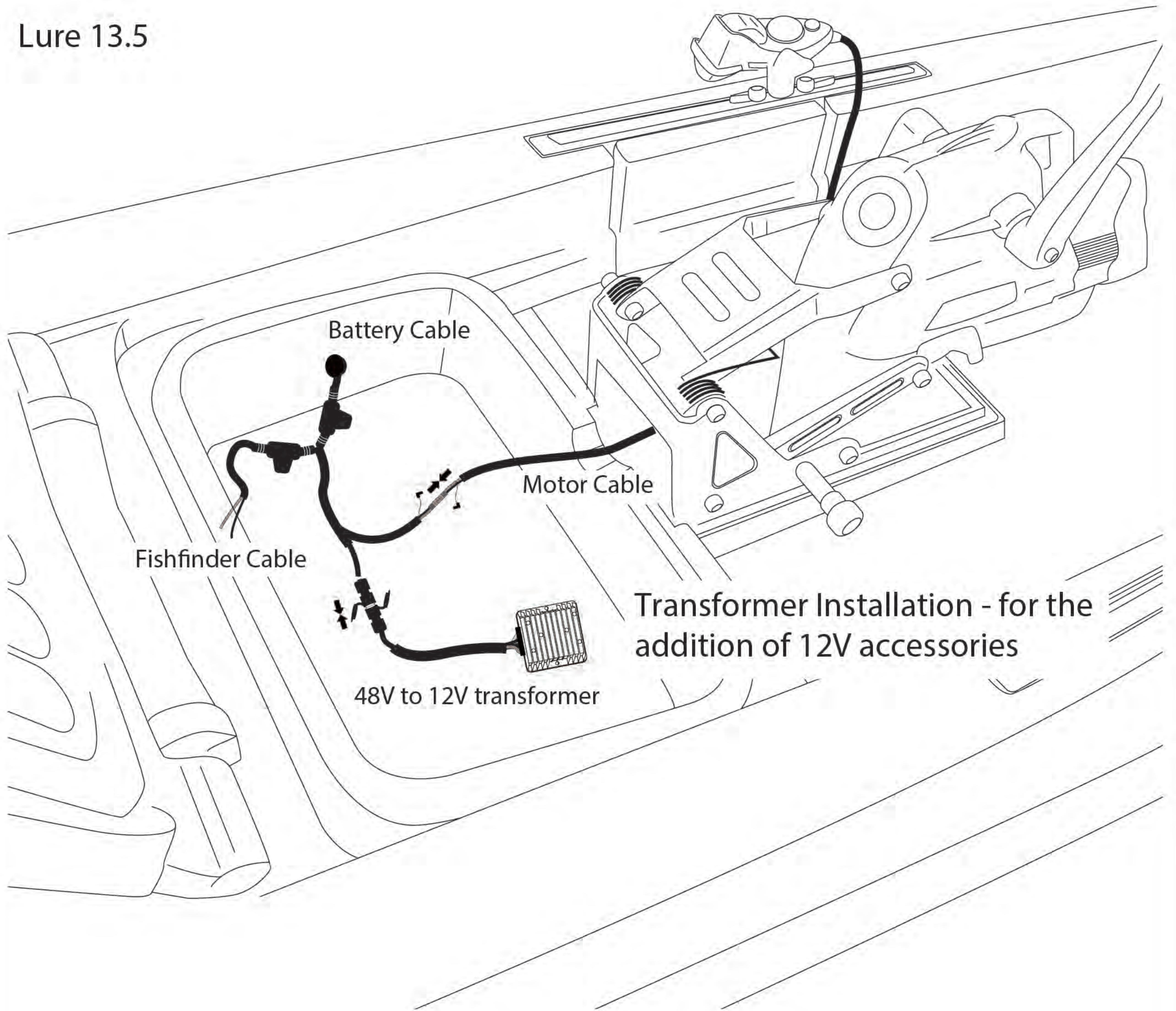
3



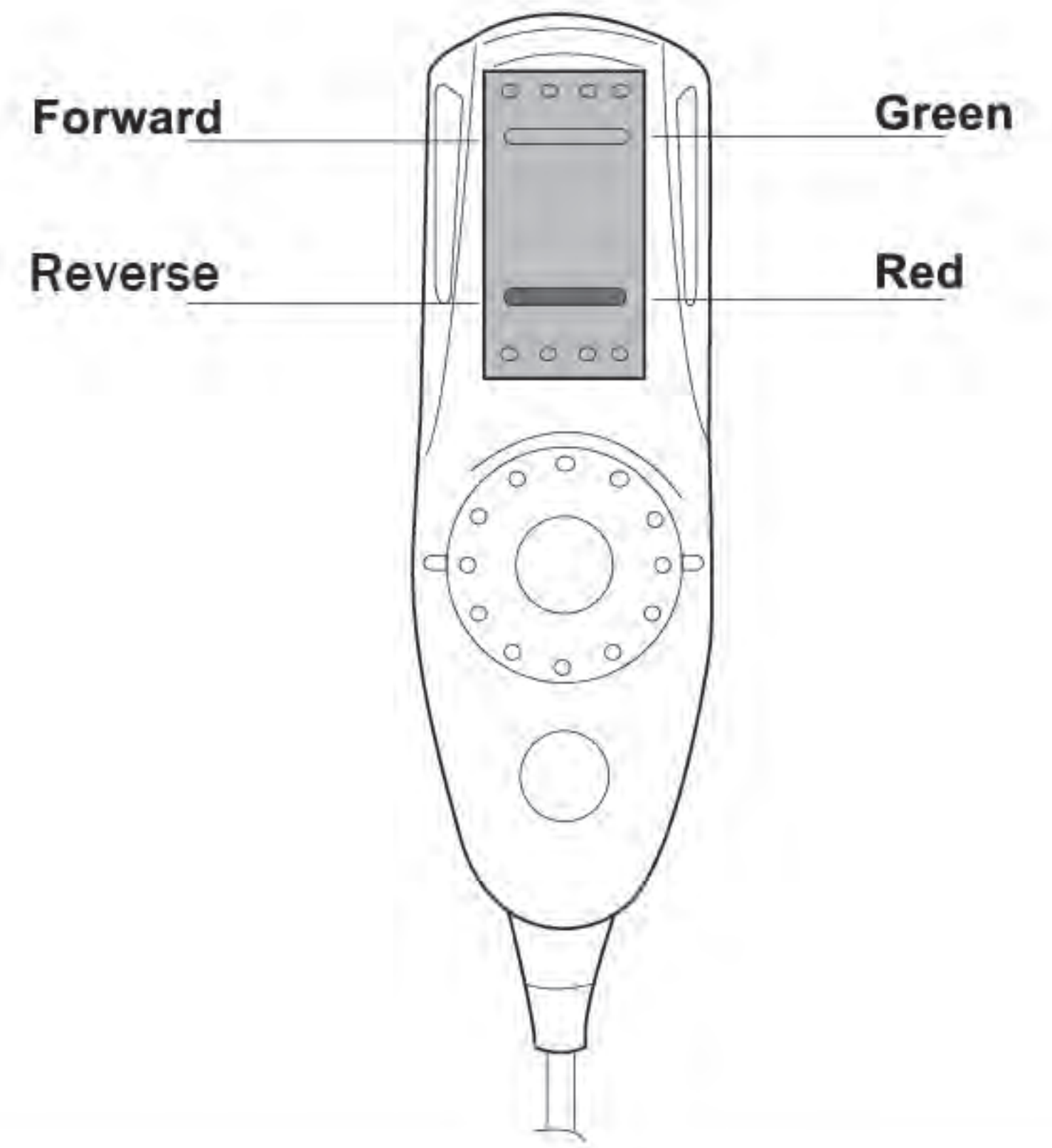
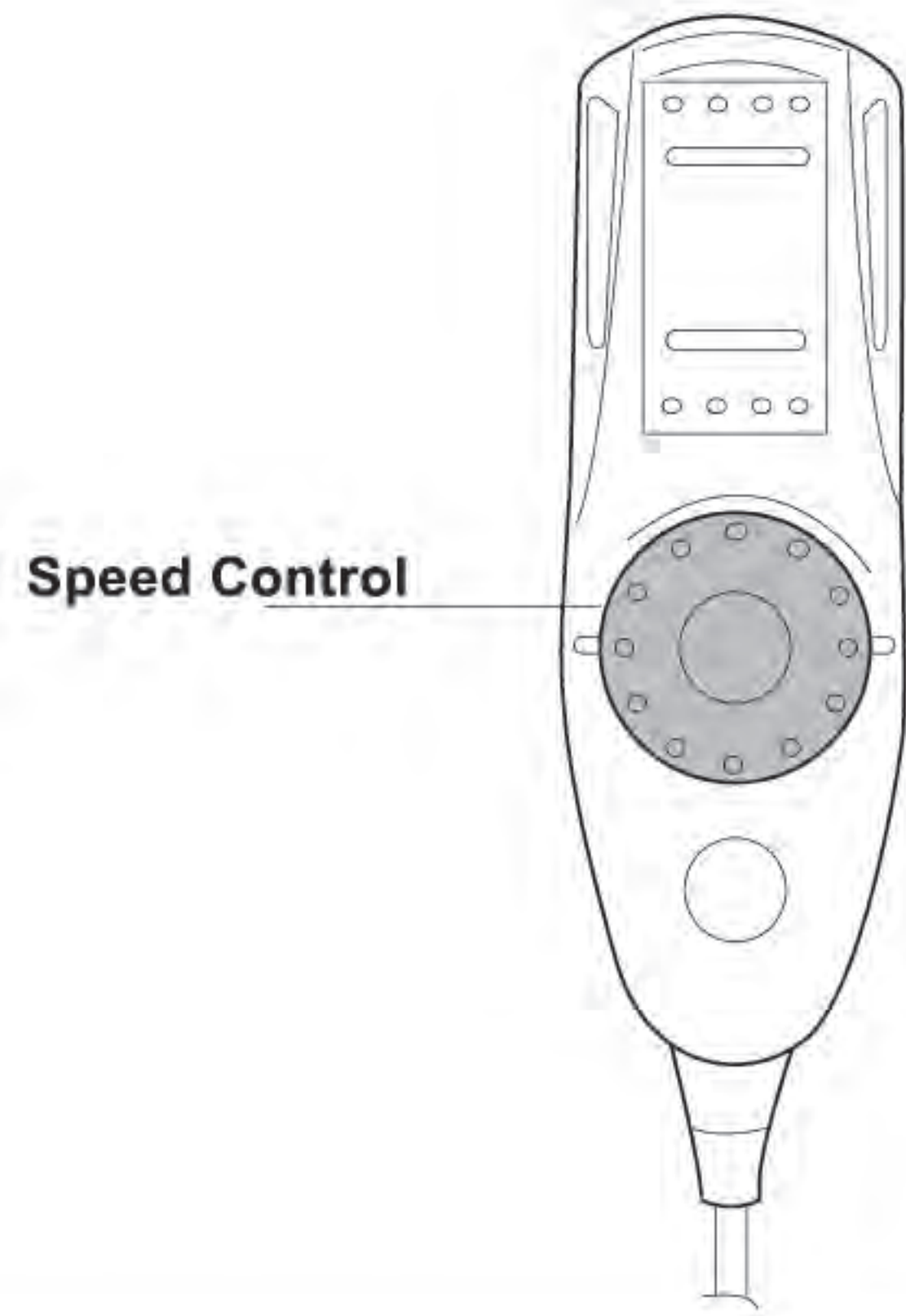
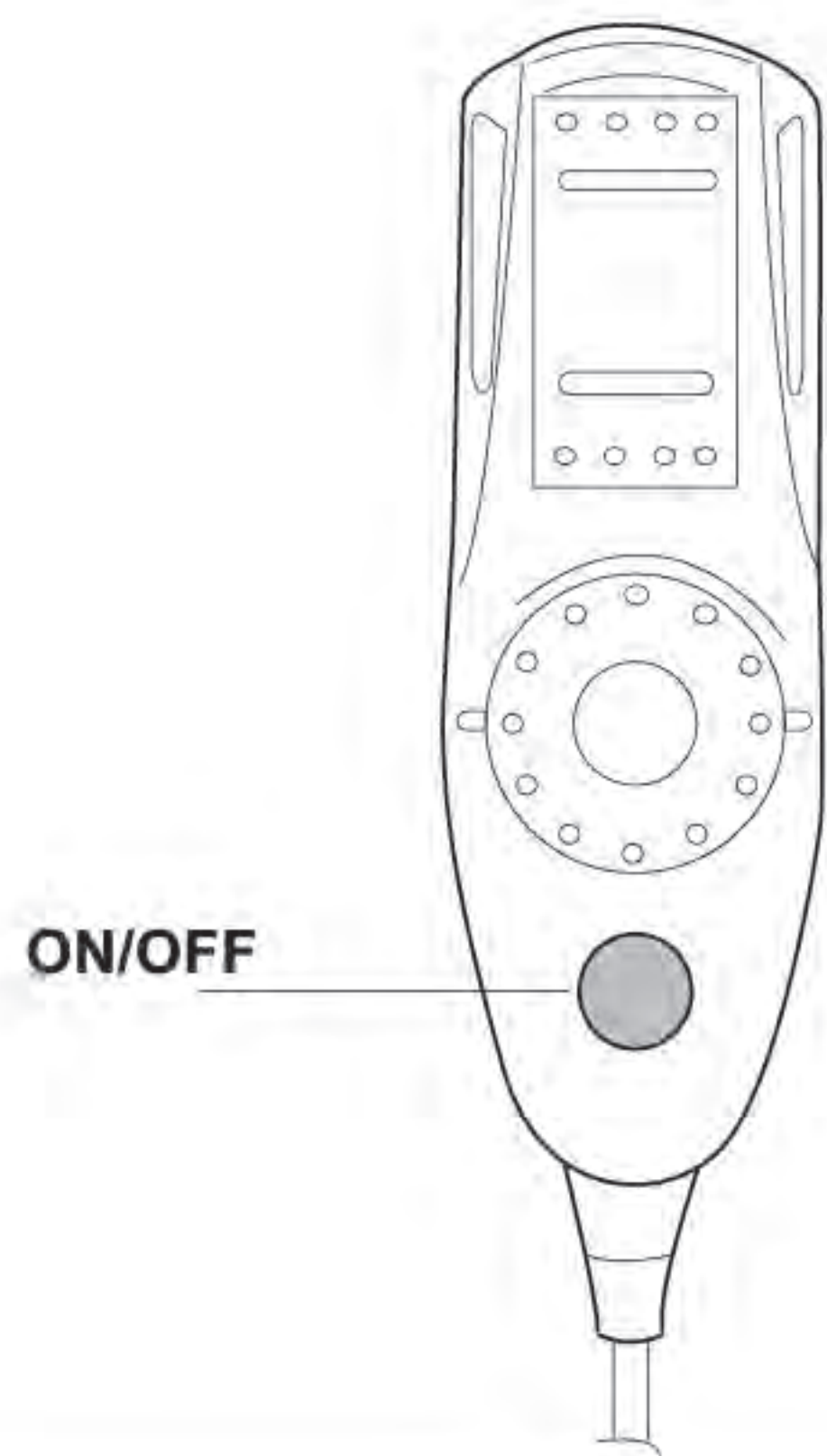
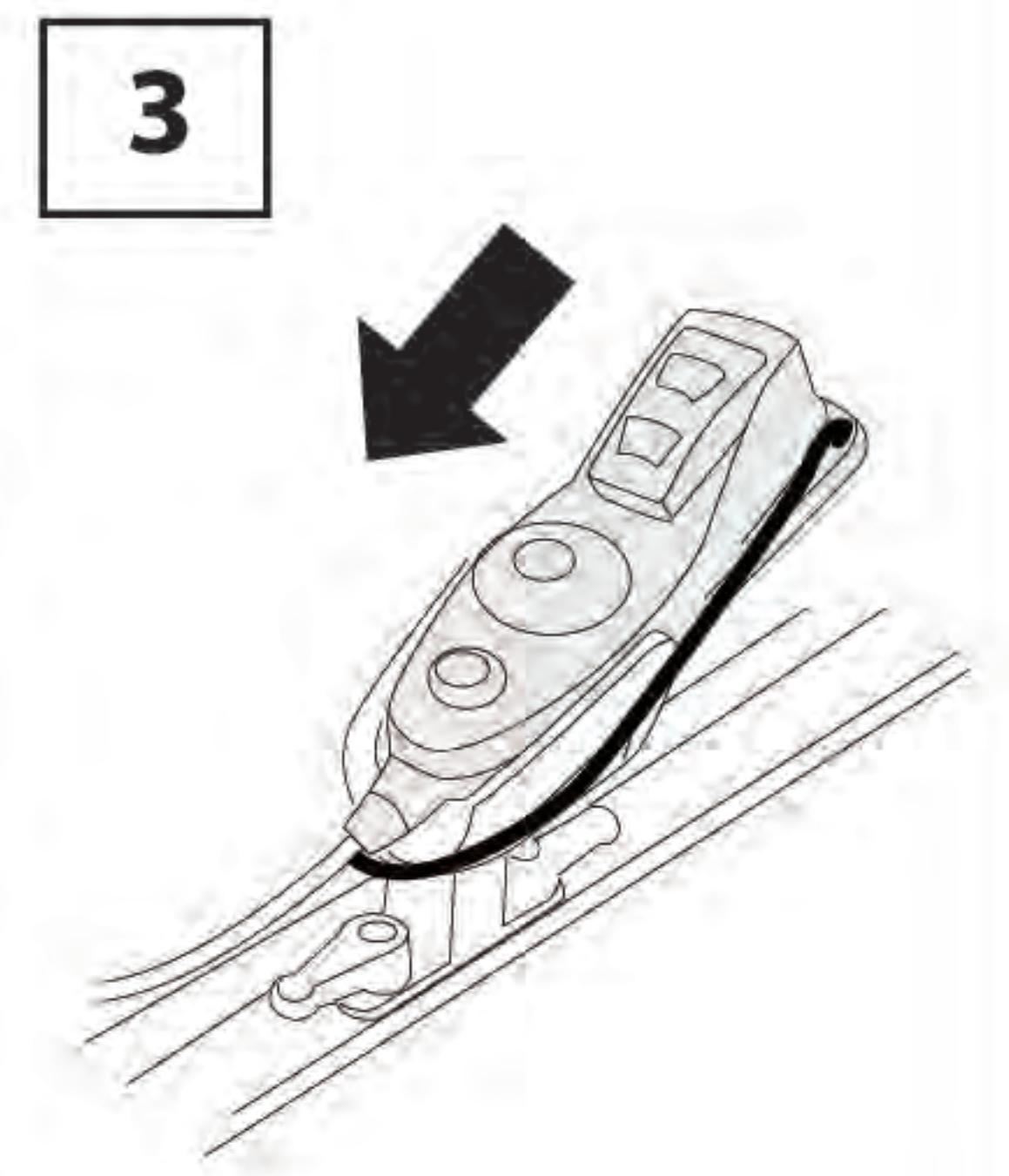
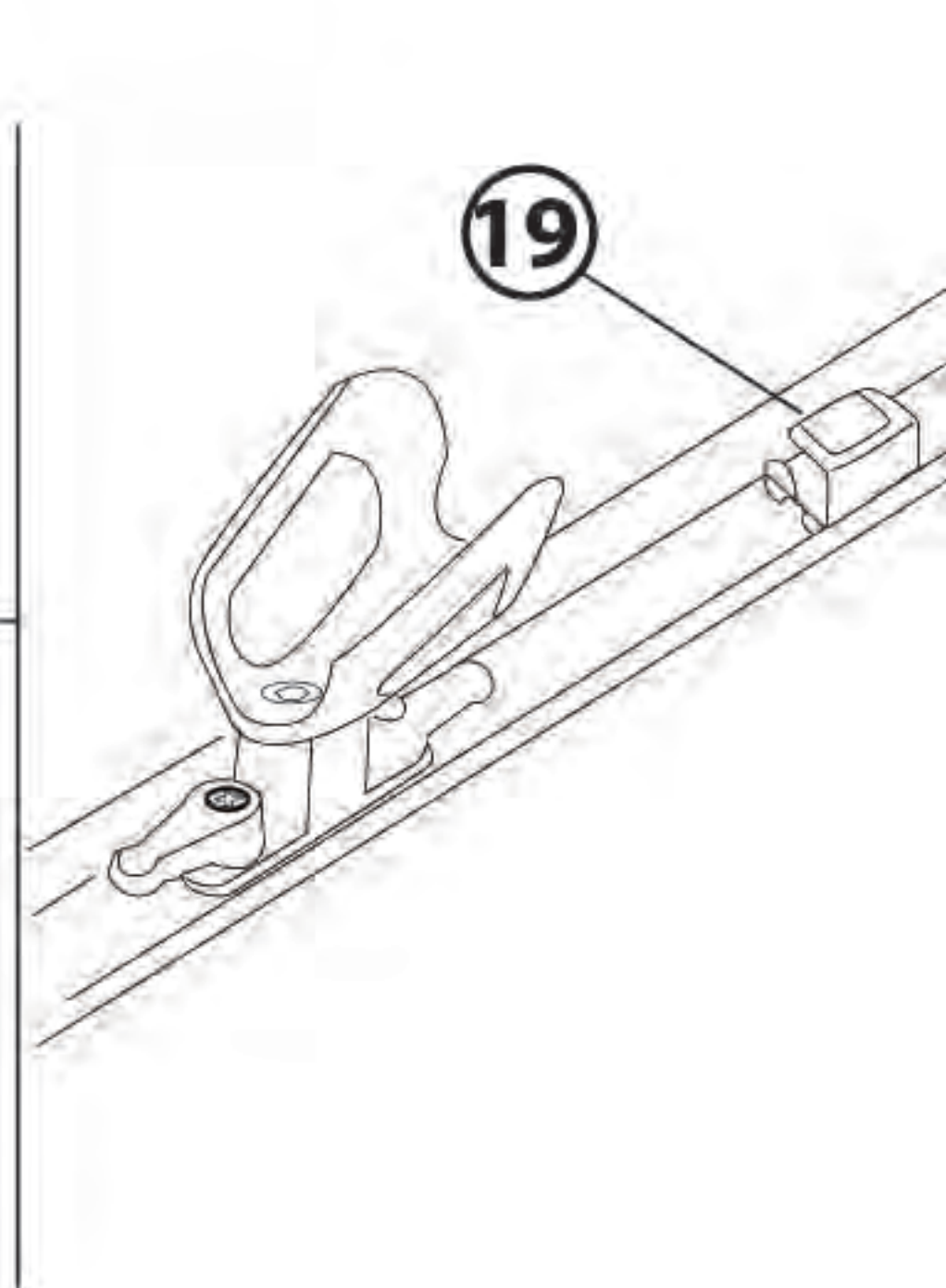
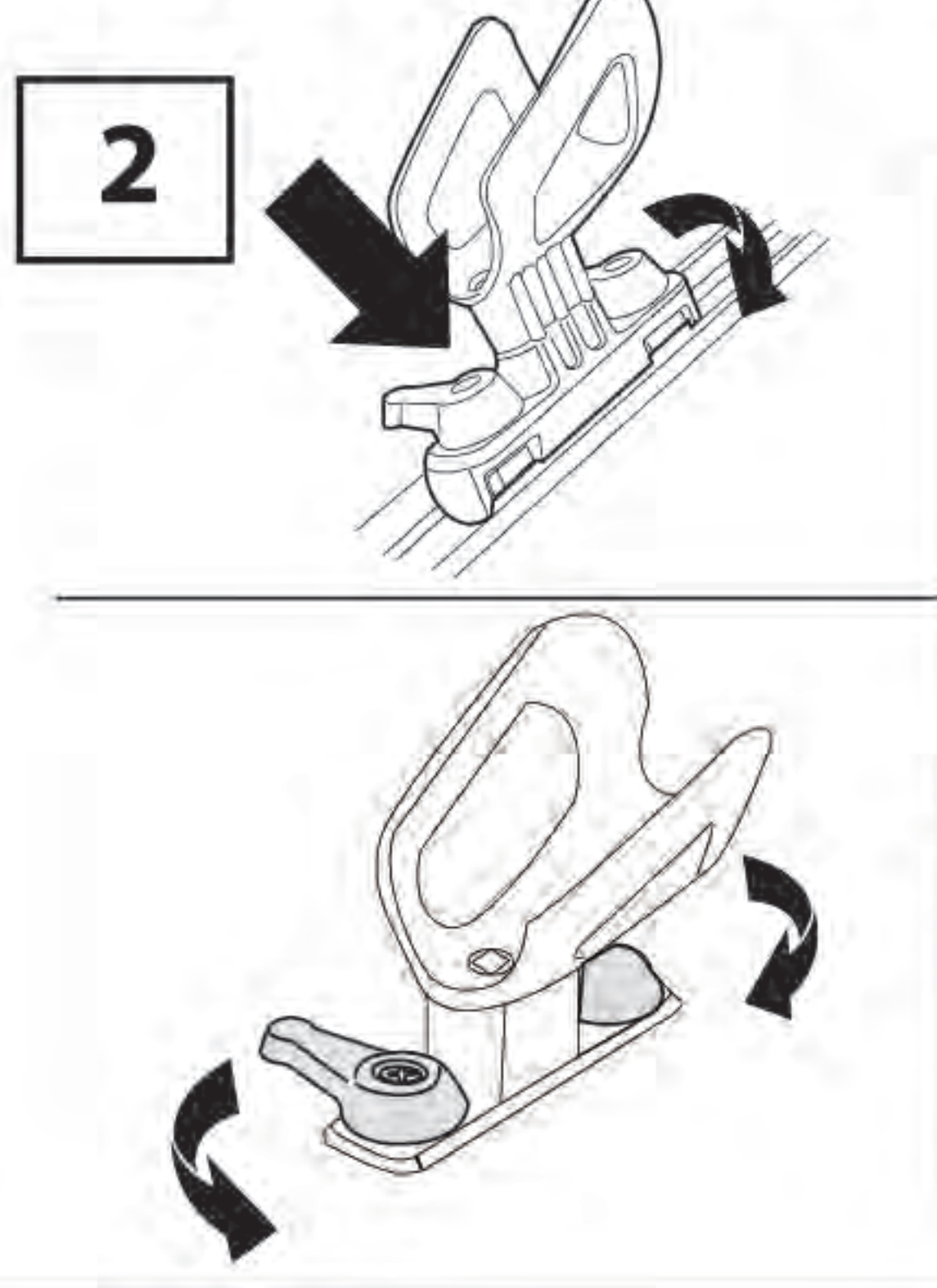
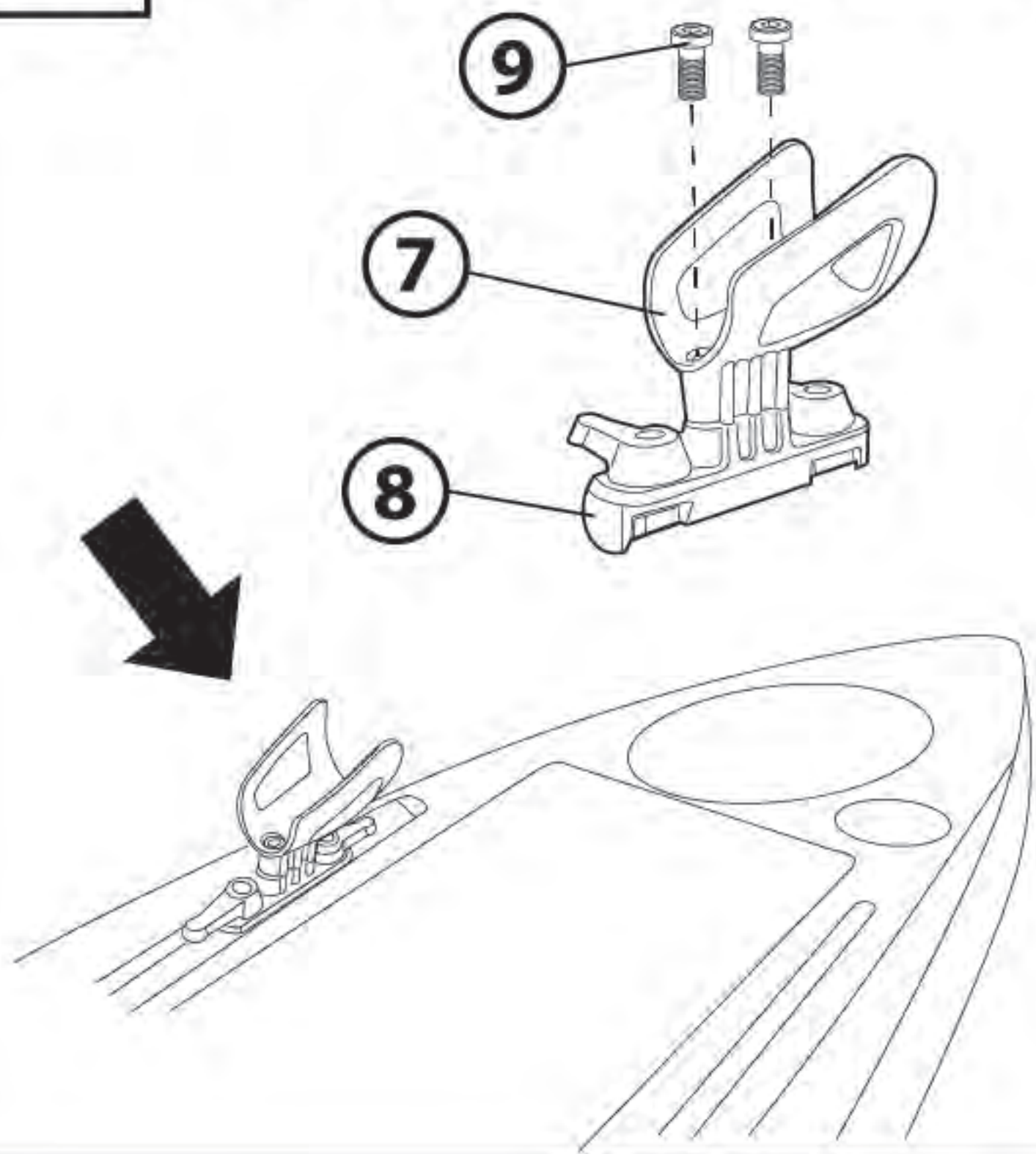
Lure Tandem



Lure 13.5

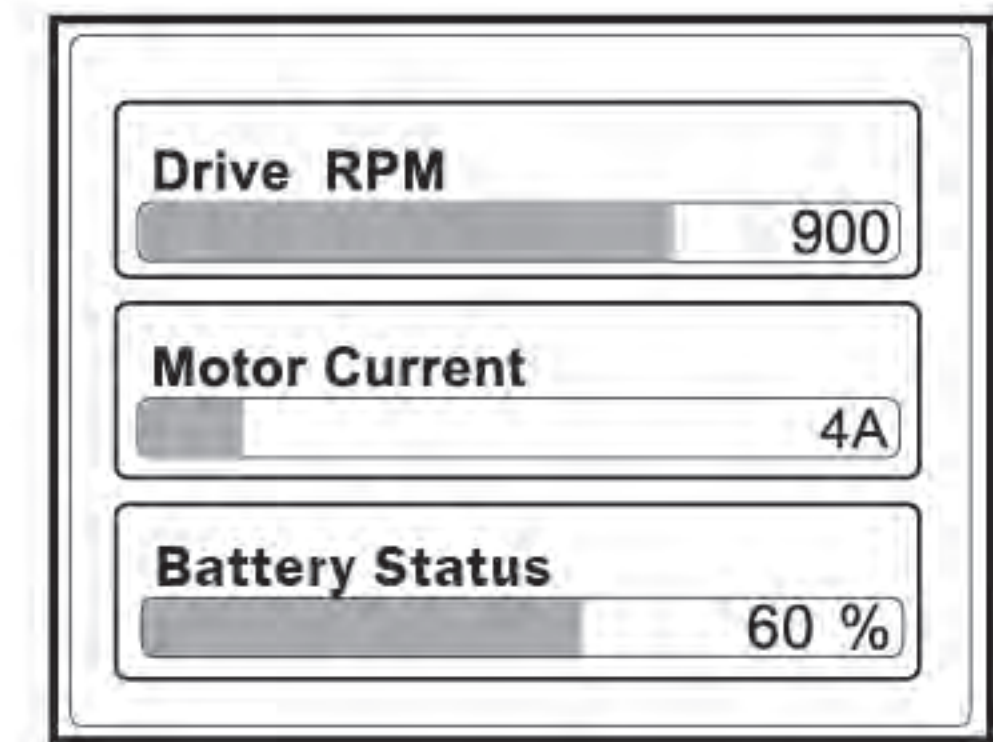
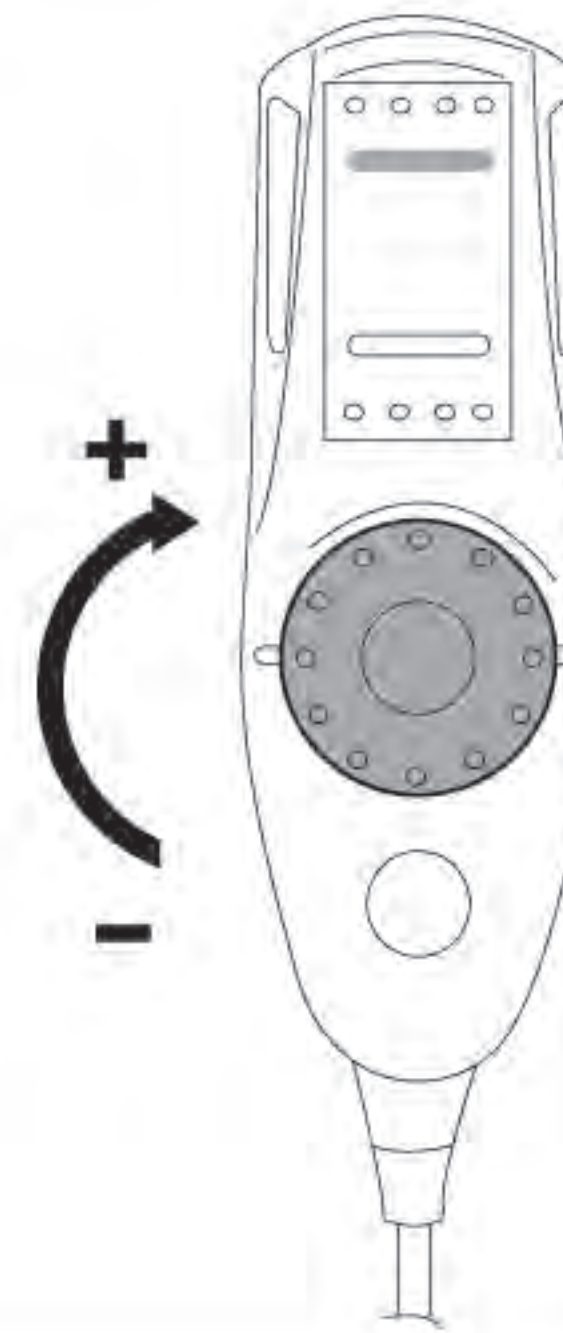
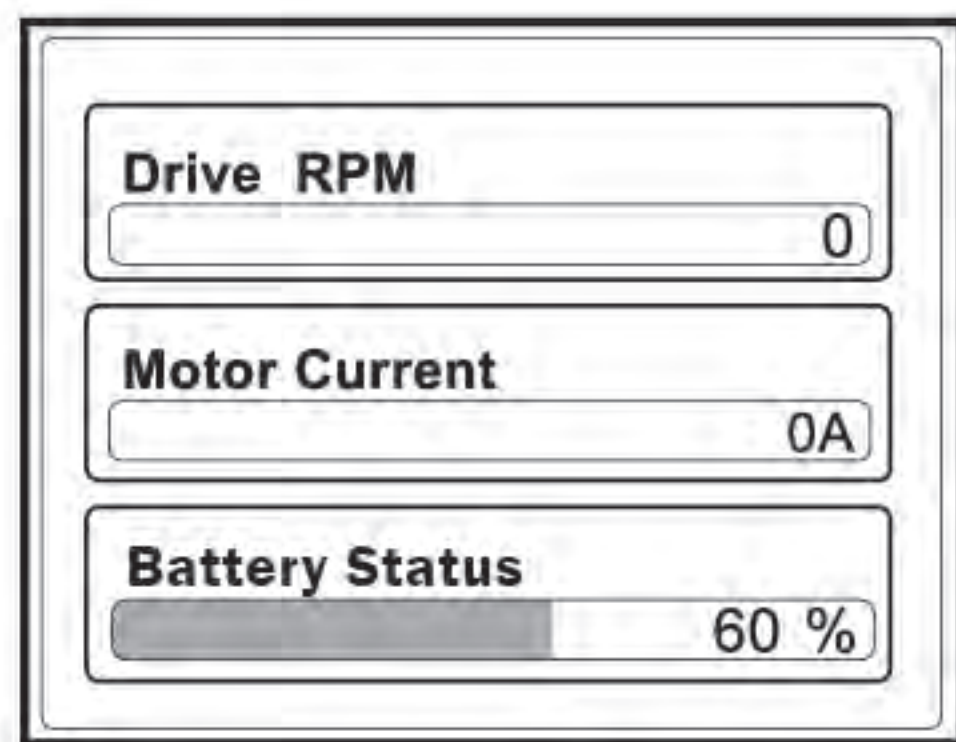
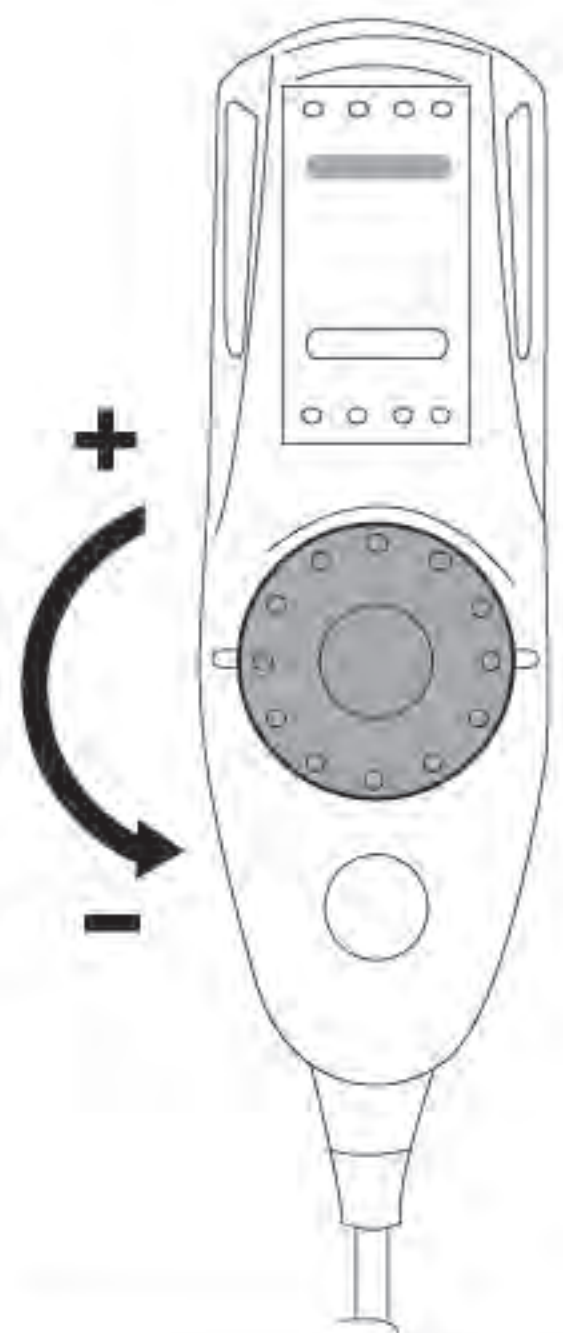


1 Hand Controller holder installation and operation

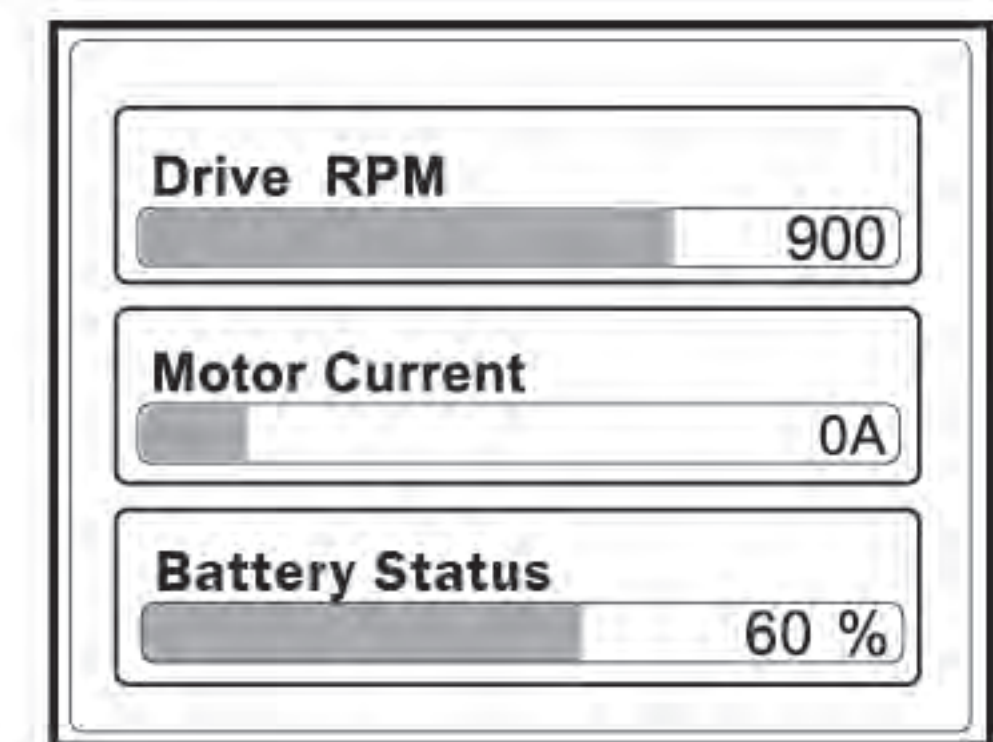
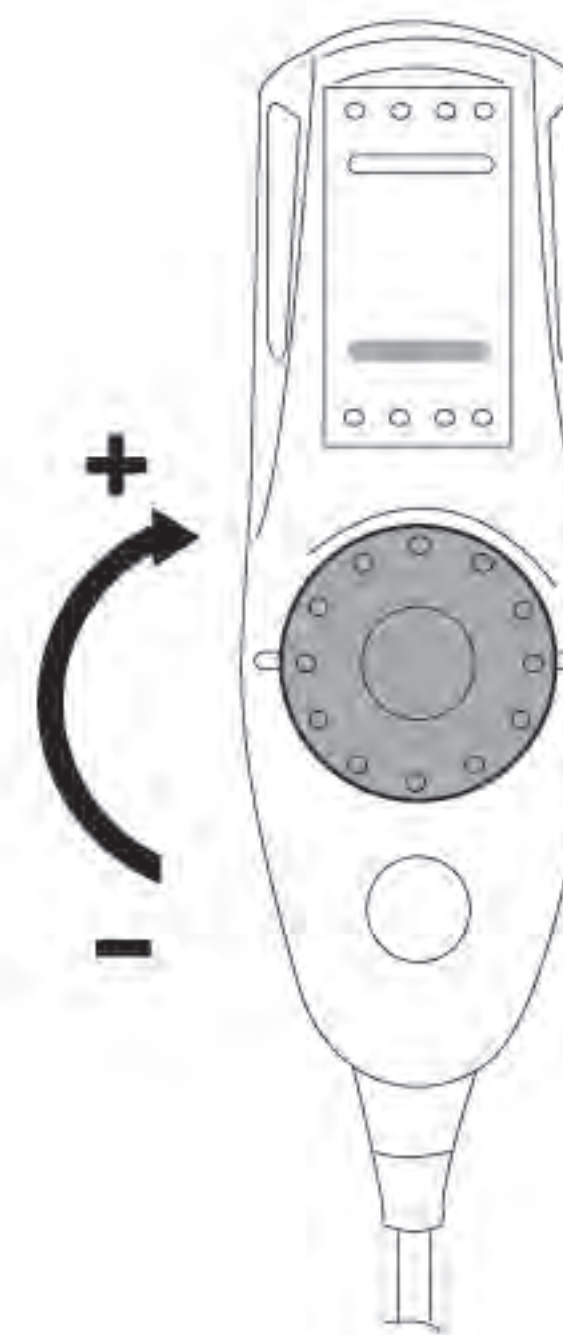
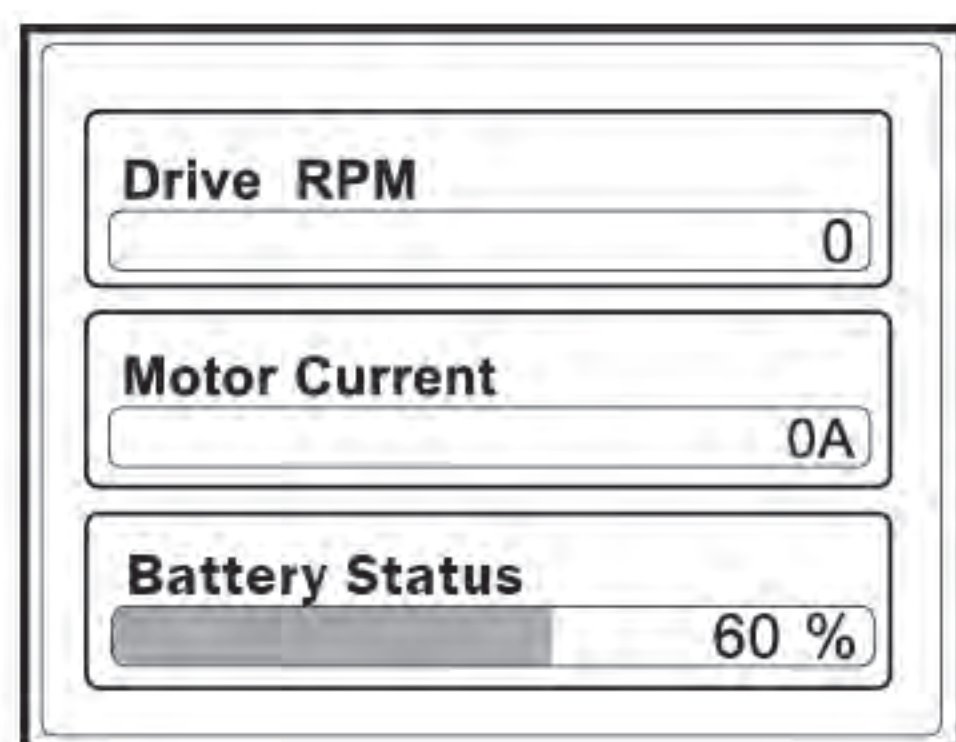
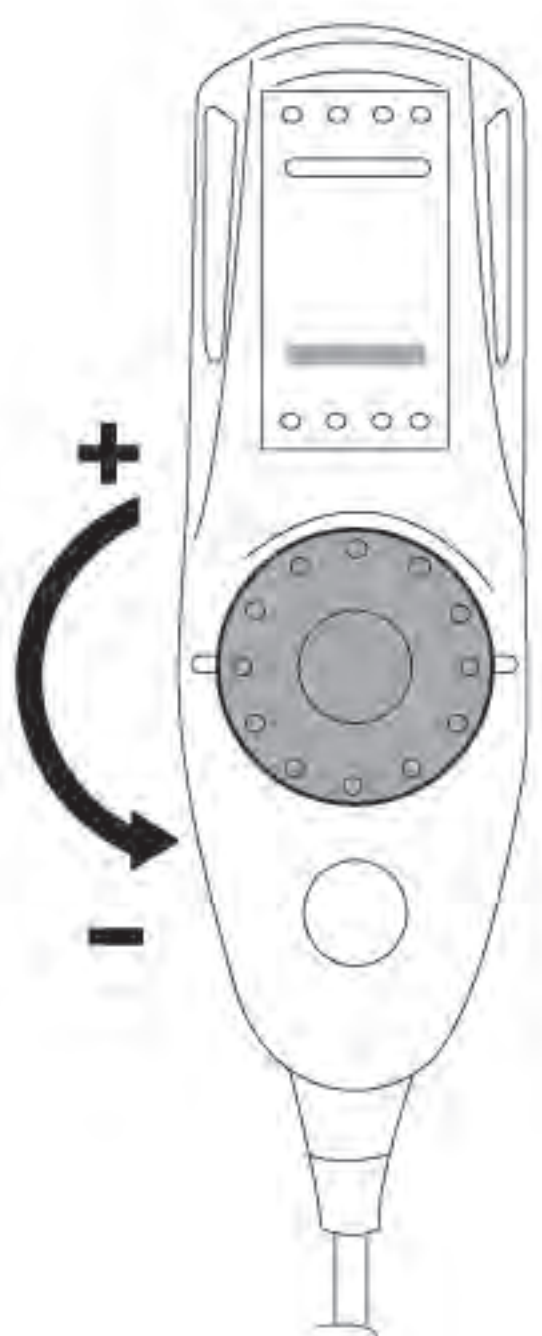


Note : Before shifting between forward/reverse, turn controller knob back to zero

FORWARD

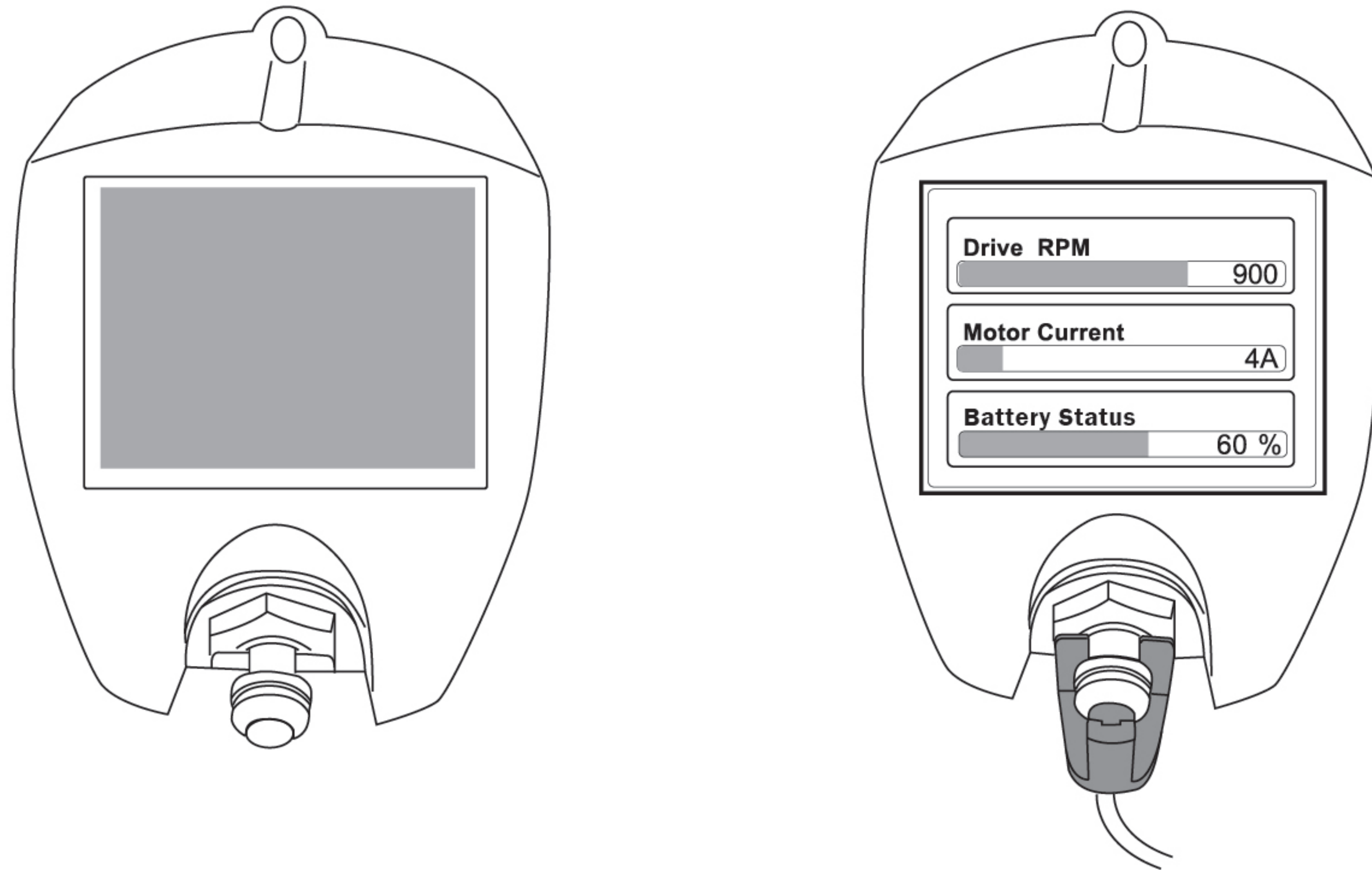


REVERSE



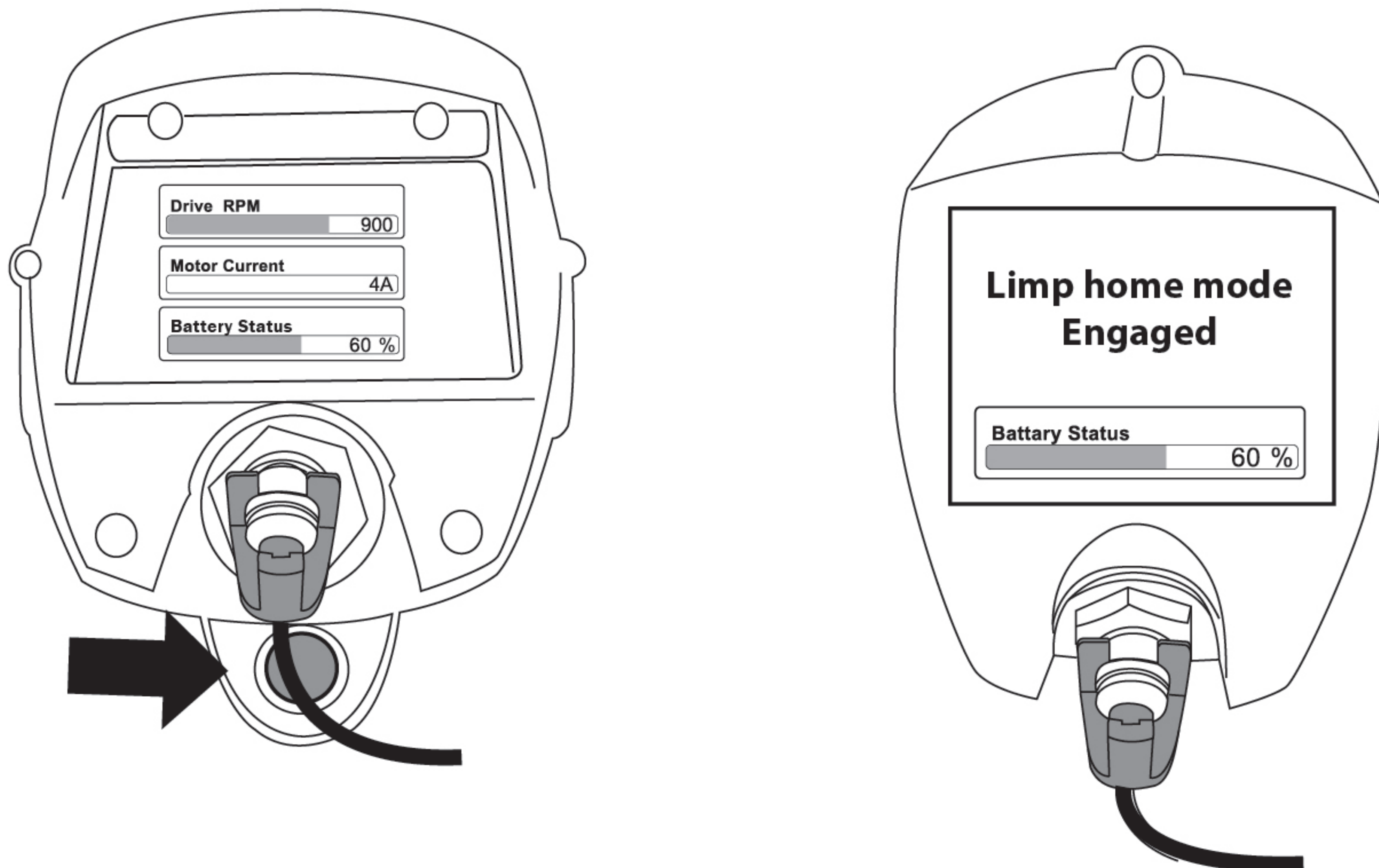
Kill Switch operation

The kill switch must be in place before the unit can operate. If the system is connected and the kill switch is not connected, the LCD screen will come up with an orange block stating the problem. Simply reconnect the kill switch and the orange block on the LCD screen will disappear. Press the ON button on the hand controller to fire up the system.



Special Feature

If for any reason the hand controller is damaged or submerged for any length of time and cannot be utilized, there is a small red button beneath the LCD screen that when pushed, isolates the hand controller. This feature is called "limp home" mode; it will automatically run the motor at half speed continuously to get you home. The LCD screen will show an orange block noting that you are in limp home mode.



Troubleshooting

1. When disengaging the motor from its drive position it is helpful to jiggle the pedal crank while pulling out the motor. This helps the spline selector re-engage with the main pedal gear.
2. If the screen comes up with the orange block it will tell you to attach the kill switch before the unit can run. Once the kill switch is in place the screen will go black and then you may turn the system on.
3. To toggle out of limp mode and run the motor normally, first ensure the battery is connected and the kill switch engaged. Press the red button underneath the kill switch again, then press the green button on the remote to restart.
4. If the unit fails to run and the screen displays communication error, please switch the unit off and contact your local dealer.