

STAR WARS™

LEGION™

SWOOP BIKES RIDER C

READ THIS FIRST

Be sure to use a pair of sharp hobby clippers to remove the miniature components from the sprue. Carefully clean the excess material and mold lines with a sharp hobby knife. Check the fit of each part before gluing. Use a small amount of hobby plastic glue to assemble the components. Use caution with all products and follow all manufacturer instructions. Adult supervision is recommended for children under the age of 16. Have fun!

JOIN THE COMMUNITY

Use #MyStarWarsLegion to share your miniature photos and be a part of the *Star Wars: Legion* community!



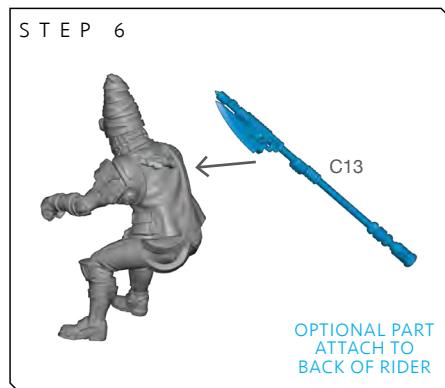
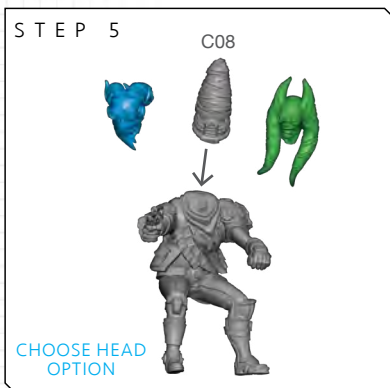
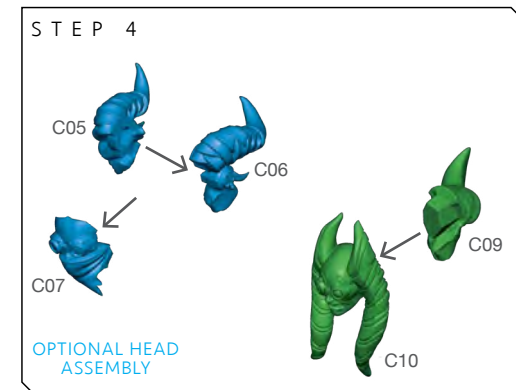
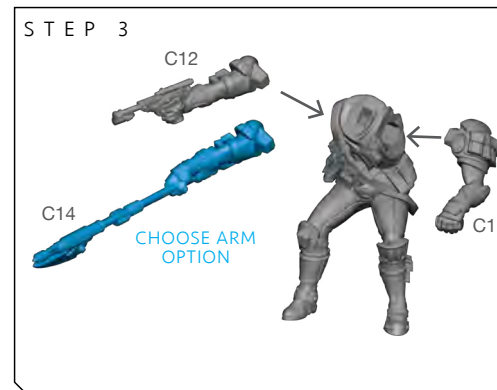
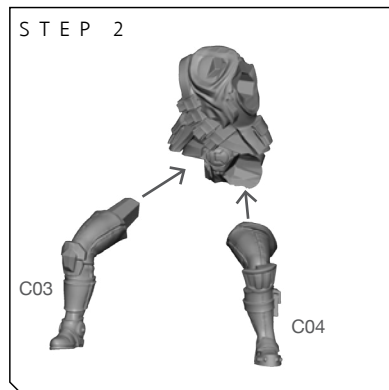
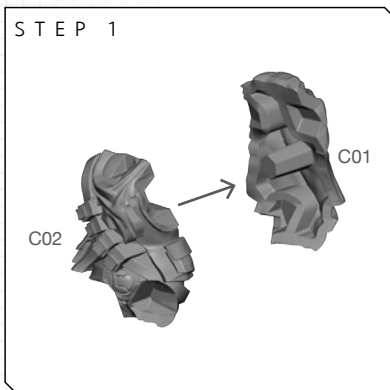
AtomicMassGames



AtomicMassGames



Atomic_Mass_Transmissions



STAR WARS™

LEGION™

SWOOP BIKES RIDER D

READ THIS FIRST

Be sure to use a pair of sharp hobby clippers to remove the miniature components from the sprue. Carefully clean the excess material and mold lines with a sharp hobby knife. Check the fit of each part before gluing. Use a small amount of hobby plastic glue to assemble the components. Use caution with all products and follow all manufacturer instructions. Adult supervision is recommended for children under the age of 16. Have fun!

JOIN THE COMMUNITY

Use #MyStarWarsLegion to share your miniature photos and be a part of the *Star Wars: Legion* community!



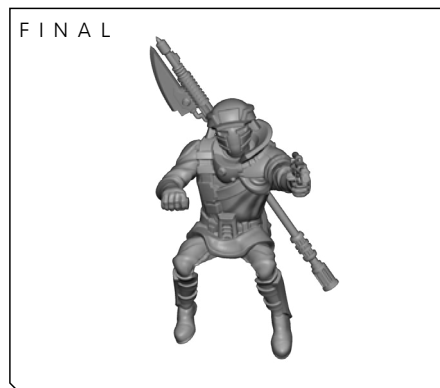
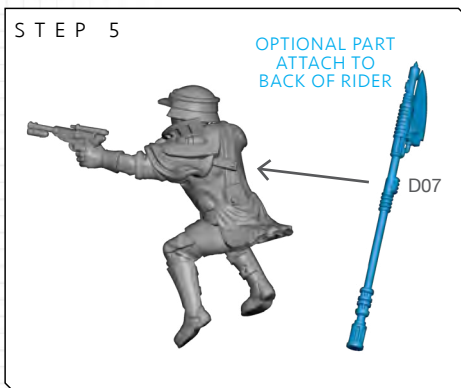
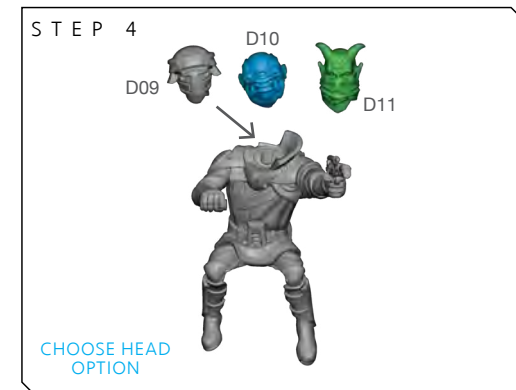
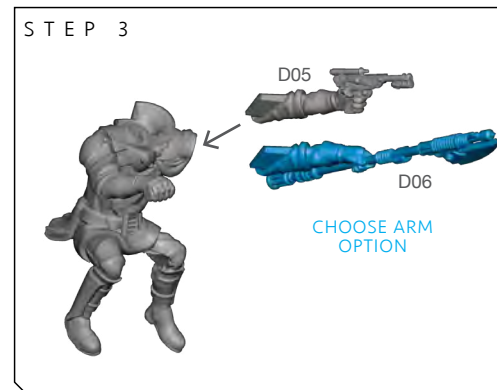
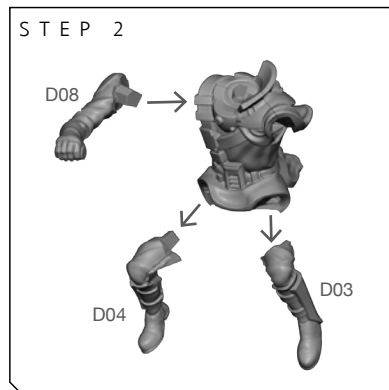
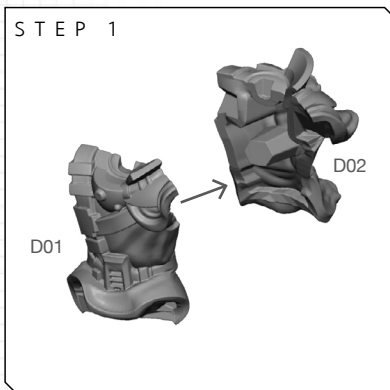
AtomicMassGames



AtomicMassGames



Atomic_Mass_Transmissions



STAR WARS™

LEGION™

SWOOP BIKES ASSEMBLY AA - BB

READ THIS FIRST

Be sure to use a pair of sharp hobby clippers to remove the miniature components from the sprue. Carefully clean the excess material and mold lines with a sharp hobby knife. Check the fit of each part before gluing. Use a small amount of hobby plastic glue to assemble the components. Use caution with all products and follow all manufacturer instructions. Adult supervision is recommended for children under the age of 16. Have fun!

JOIN THE COMMUNITY

Use #MyStarWarsLegion to share your miniature photos and be a part of the *Star Wars: Legion* community!



AtomicMassGames

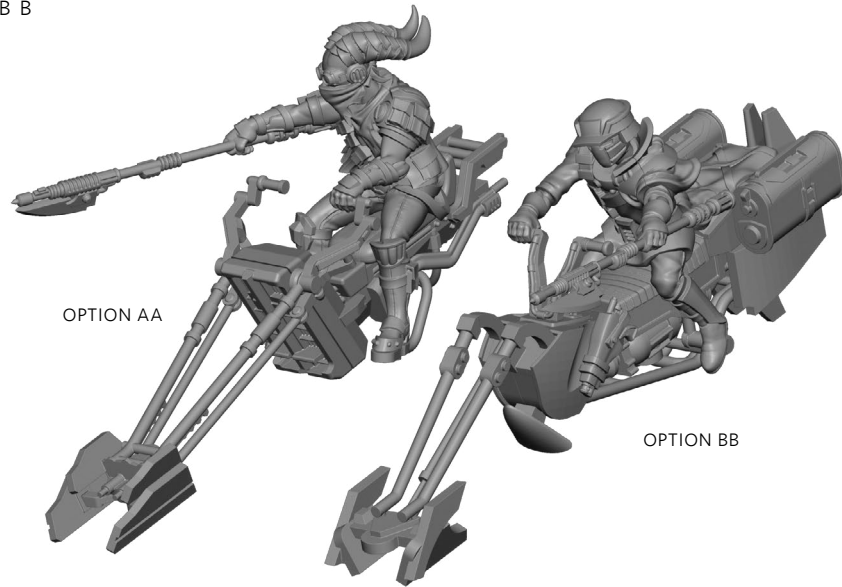


AtomicMassGames



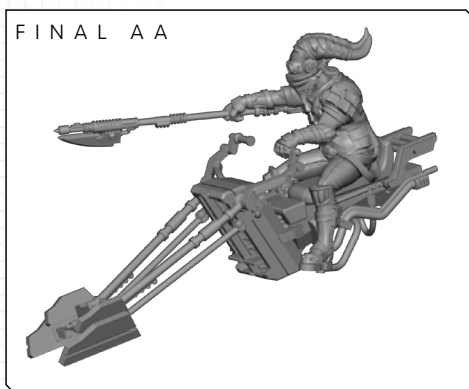
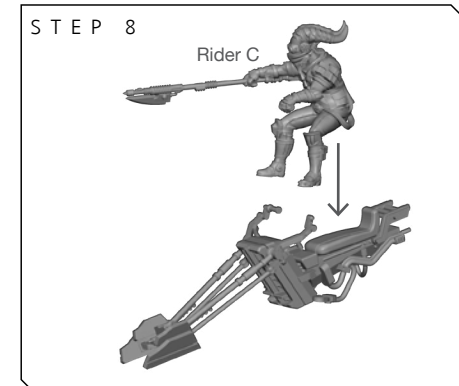
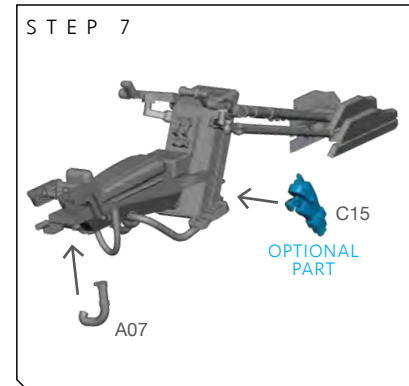
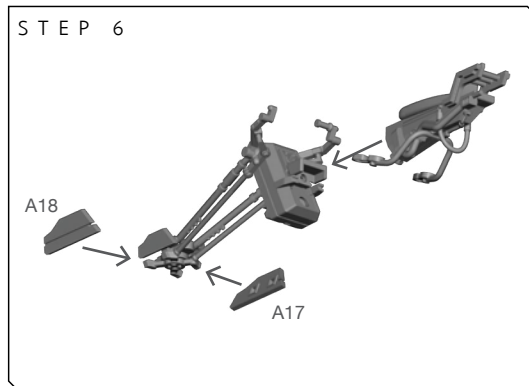
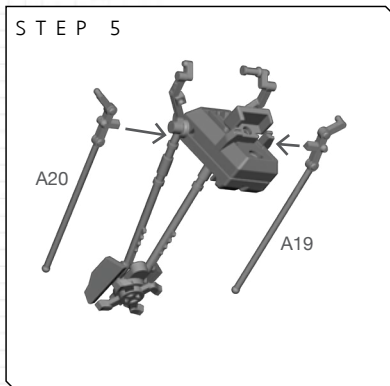
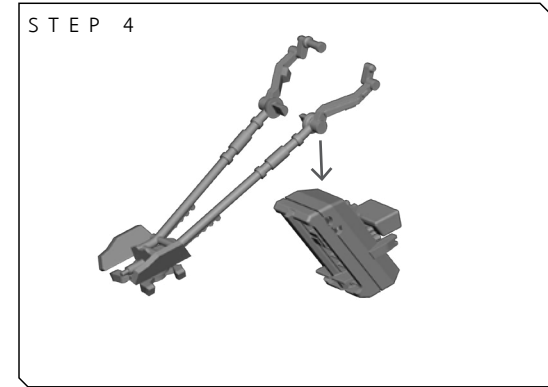
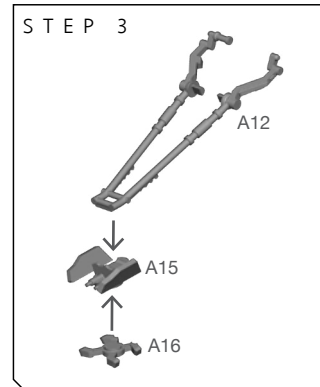
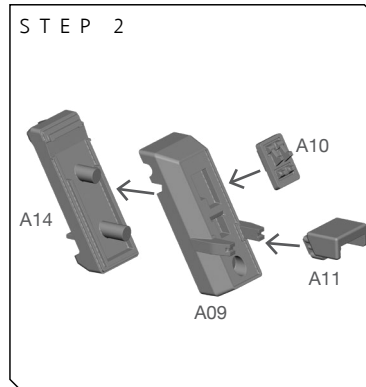
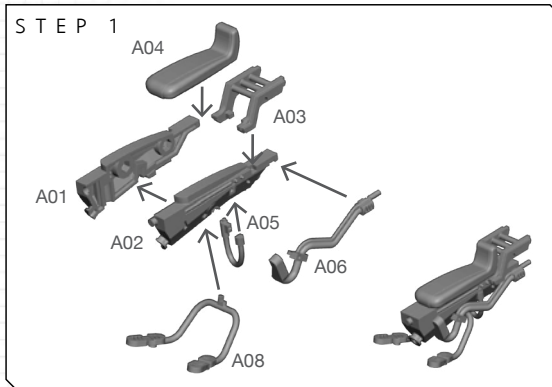
Atomic_Mass_Transmissions

AA - BB



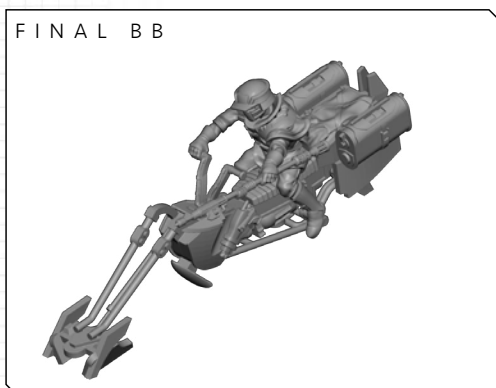
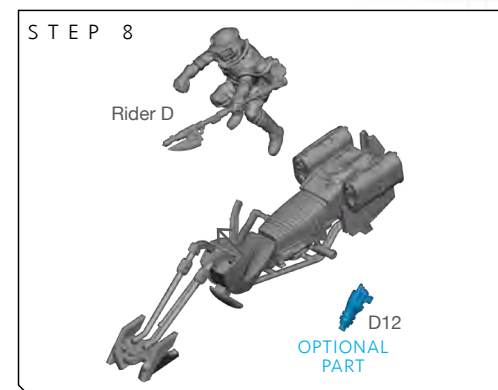
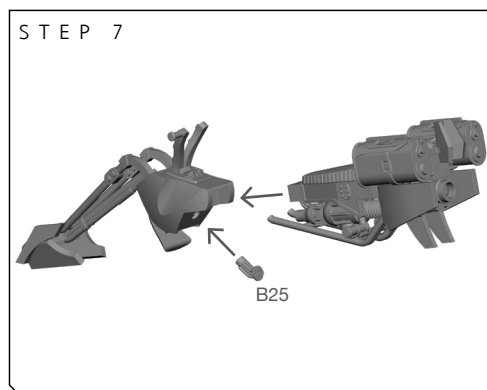
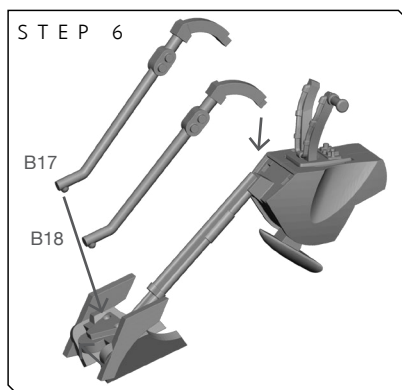
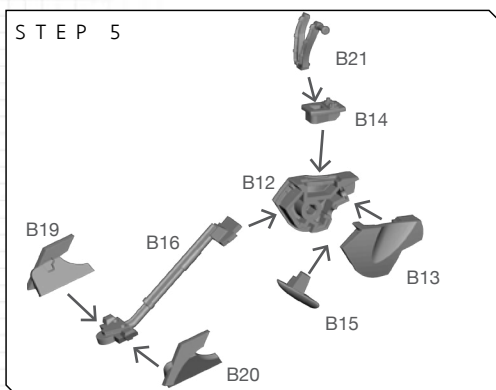
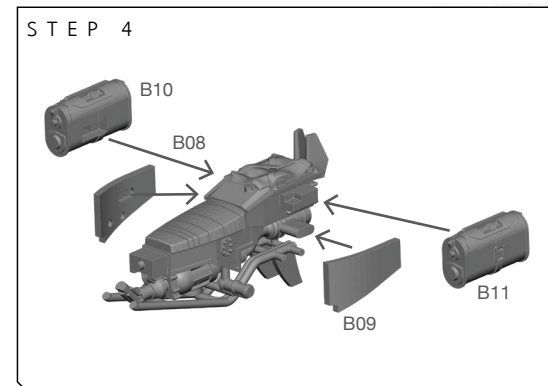
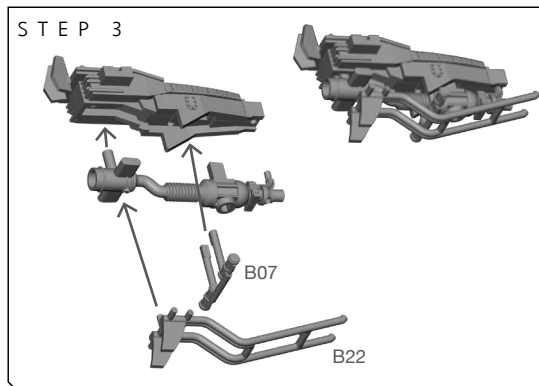
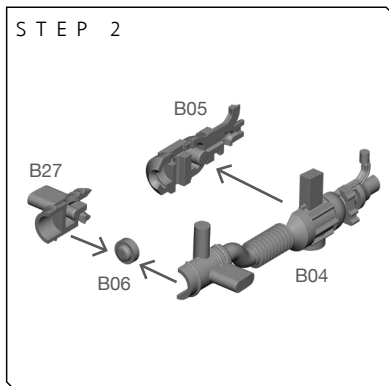
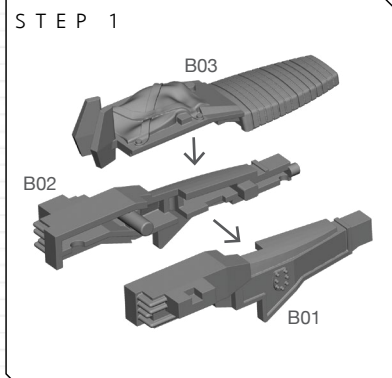
SWOOP BIKES

ASSEMBLY AA



SWOOP BIKES

ASSEMBLY BB



STAR WARS™

LEGION™

SWOOP BIKES ASSEMBLY BA - AB

READ THIS FIRST

Be sure to use a pair of sharp hobby clippers to remove the miniature components from the sprue. Carefully clean the excess material and mold lines with a sharp hobby knife. Check the fit of each part before gluing. Use a small amount of hobby plastic glue to assemble the components. Use caution with all products and follow all manufacturer instructions. Adult supervision is recommended for children under the age of 16. Have fun!

JOIN THE COMMUNITY

Use #MyStarWarsLegion to share your miniature photos and be a part of the *Star Wars: Legion* community!



AtomicMassGames

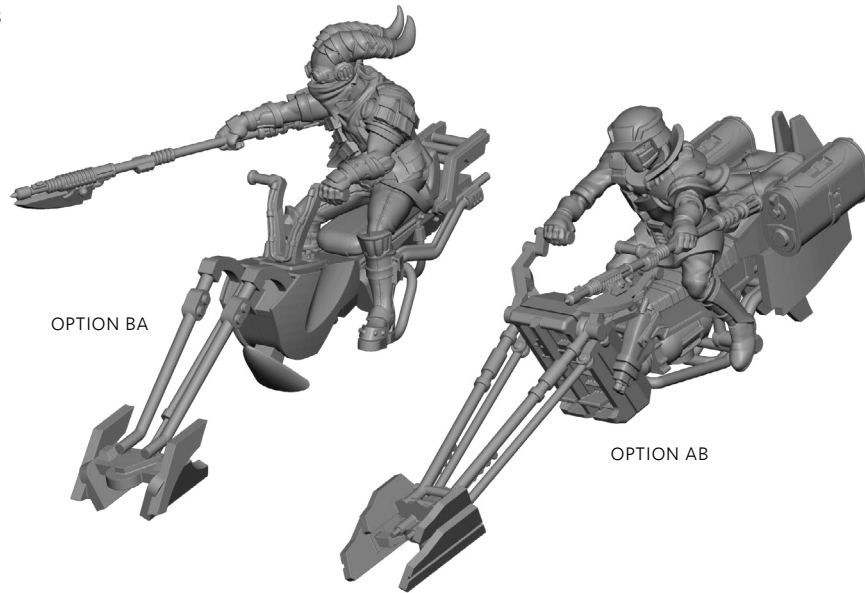


AtomicMassGames



Atomic_Mass_Transmissions

BA - AB

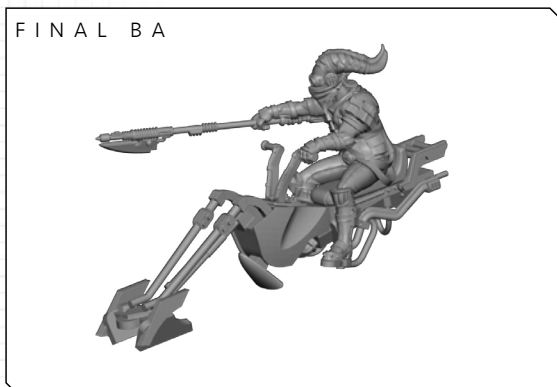
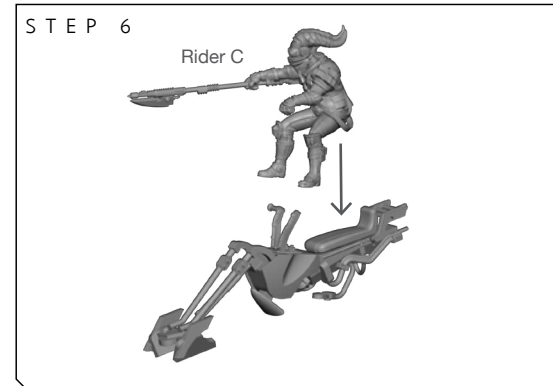
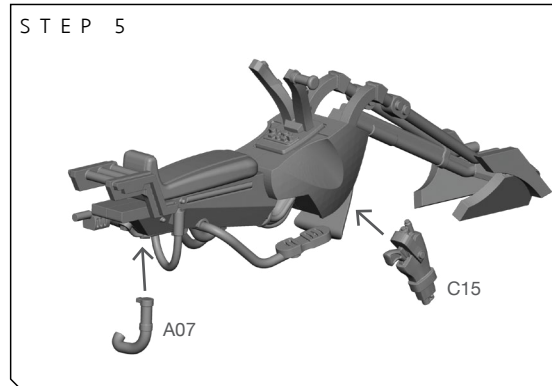
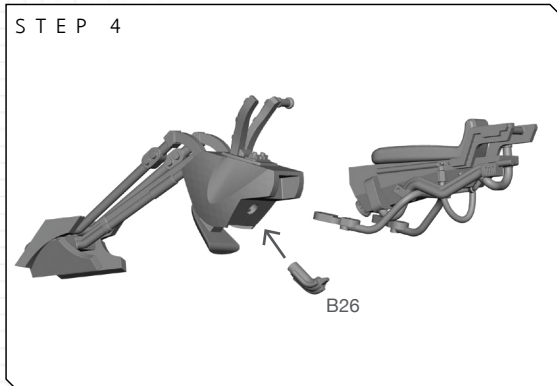
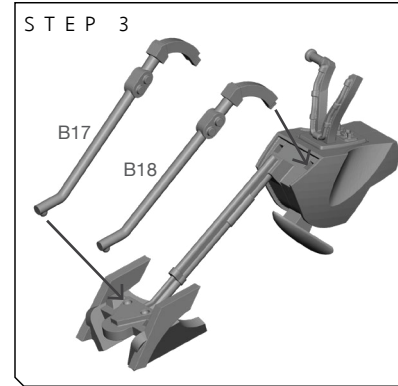
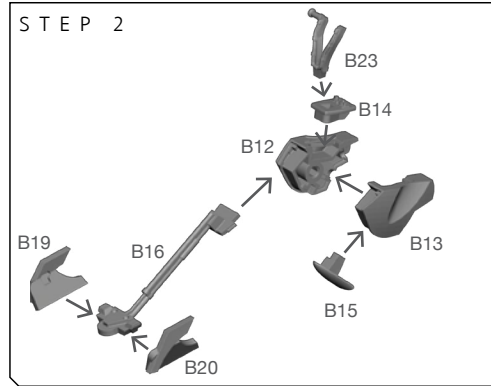
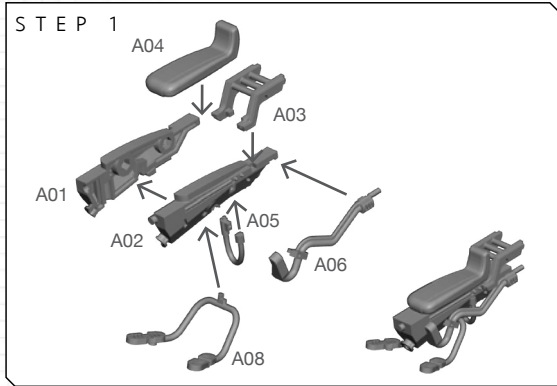


OPTION BA

OPTION AB

SWOOP BIKES

ASSEMBLY BA



SWOOP BIKES

ASSEMBLY AB

