



Connective Peripherals Pte Ltd

USB2-H-500X-M FAMILY

Hi-Speed USB to Multi-Ports RS485

Adapter

Data Sheet

Document Reference No.: CP_000029

Version 1.3

Issue Date: 22-08-2022

Part Number				
USB2-H-5016-M	USB2-H-5008-M	USB2-H-5004-M	USB2-H-5002-M	USB2-H-5001-M

The USB2-H-500X-M family provides a simple method of adapting legacy serial devices with RS485 interfaces to modern USB ports by incorporating the FTDI's Hi-Speed USB bridge chips.

The adaptor which is contained within a metal enclosure is either USB powered or externally powered (depends on the number of ports). They can supply an output of +5VDC @ up to 80mA on the 5mm terminal block connectors or 30mA on the Pin 9 of DB9 connectors. Indicator LEDs provide functional status. The USB2-H-500X-M family have been tested to be compliant with both FCC Part 15 Subpart B and European EMC Directive.

E-Mail (Support): support@connectiveperipherals.com Web: www.connectiveperipherals.com/products

Neither the whole nor any part of the information contained in, or the product described in this manual, may be adapted or reproduced in any material or electronic form without the prior written consent of the copyright holder. This product and its documentation are supplied on an as-is basis and no warranty as to their suitability for any particular purpose is either made or implied. Connective Peripherals Pte Ltd will not accept any claim for damages howsoever arising as a result of use or failure of this product. Your statutory rights are not affected. This product or any variant of it is not intended for use in any medical appliance, device or system in which the failure of the product might reasonably be expected to result in personal injury. This document provides preliminary information that may be subject to change without notice. No freedom to use patents or other intellectual property rights is implied by the publication of this document. Connective Peripherals Pte Ltd, 178 Paya Lebar Road, #07-03 Singapore 409030. Registered Number: 201617872E

Table of Contents

1	Introduction	4
1.1	Functional Description	4
1.2	LED Description	6
1.3	Block Diagram	6
1.3.1	Single Port Block Diagram	6
1.3.2	Dual Port Block Diagram	6
1.3.3	Four, Eight and Sixteen Ports Block Diagram	7
1.3.4	Block description	7
1.4	Features	8
1.5	Performance Figures	9
2	Installation	10
2.1	Hardware Configurations	10
2.1.1	Wiring	10
2.2	Device Driver Installation	13
3	Connections	14
3.1	External Connectors	14
3.1.1	USB	14
3.1.2	RS485	14
3.1.3	5mm Terminal Block	14
4	Termination and BIAS Resistors Setting	17
5	Electrical details	20
5.1	USB	20
5.2	5V Power Adapter	20
5.3	RS485	20
5.4	Power Output	21
6	Physical Environment Details	22
6.1	Storage Temperature	22
6.2	Operating Temperature	22
7	Physical Dimensions	23
7.1	USB2-H-5001-M Dimension	23
7.2	USB2-H-5002-M Dimension	25

7.3	USB2-H-5004-M Dimension.....	26
7.4	USB2-H-5008-M Dimension.....	27
7.5	USB2-H-5016-M Dimension.....	28
8	Environmental Approvals & Declarations	29
8.1	EMI Compatibility.....	29
8.2	Safety	29
8.3	Environmental.....	29
8.4	Reliability.....	29
8.5	Import / Export Information	30
9	Troubleshooting	31
9.1	Hardware.....	31
9.2	Device Driver	31
9.3	Technical Support	32
10	Contact Information.....	33
	Appendix A – List of Figures and Tables.....	34
	Appendix B – Revision History	36

1 Introduction

1.1 Functional Description

The USB2-H-500X-M modules are a family of USB to RS485 level adaptors incorporating FTDI's Hi-Speed USB2.0 (480Mb/s) to serial UART interface ICs. The FTDI Chips handle all the USB signaling and protocols. The adaptor provides a fast, simple way to connect devices with an RS485 interface to USB.

The integrated electronics of the USB2-H-500X-M utilise the FTDI FT4232H, FT2232H or FT232H plus RS485 level shifters and TXD/RXD LEDs to provide a visual indication of data traffic through the module.



Figure 1.1 - USB2-H-5001-M



Figure 1.2 - USB2-H-5002-M



Figure 1.3 - USB2-H-5004/5008/5016-M

The modules use a standard USB-B device connector for connection to an upstream host or hub port. RS485-level signals, including modem handshake signals, are available on an industry-standard DE-9P connector. The Single and Dual port modules also provide a 5mm terminal block connector which can be used instead of the DE-9P. The maximum RS485-level data rate is 8Mbps.

The USB2-H-500X-M module requires USB device drivers, available free from <https://connectiveperipherals.com>, which are used to make the USB2-H-500X-M appear as Virtual COM Ports (VCP). This allows existing serial communications software, such as HyperTerminal, to exchange data through the USB2-H-500X-M to a legacy RS485 peripheral device.

1.2 LED Description

The USB2-H-500X-M has three types of LEDs to indicate a valid link as well as data traffic according to the following table:

LED Colour	Function	Description	LED quantity
Yellow	Enumerated	ON when USB2-H-500X-M is configured and ready	1
Red	TxD Activity	Flashes when data is transmitted from the USB2-H-500X-M to the attached RS485 device	Each port has one TXLED
Green	RxD Activity	Flashes when data is transmitted from the attached RS485 device to the USB2-H-500X-M.	Each port has one RXLED

Table 1.1 – LED Description

1.3 Block Diagram

1.3.1 Single Port Block Diagram

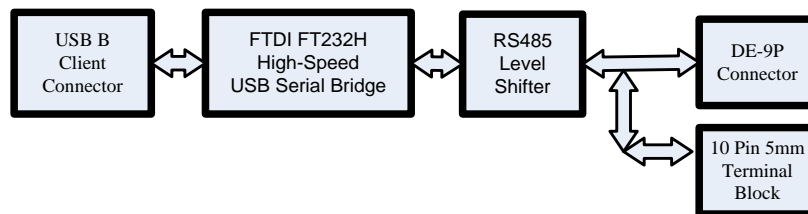


Figure 1.4 - USB2-H-5001-M Block Diagram

1.3.2 Dual Port Block Diagram

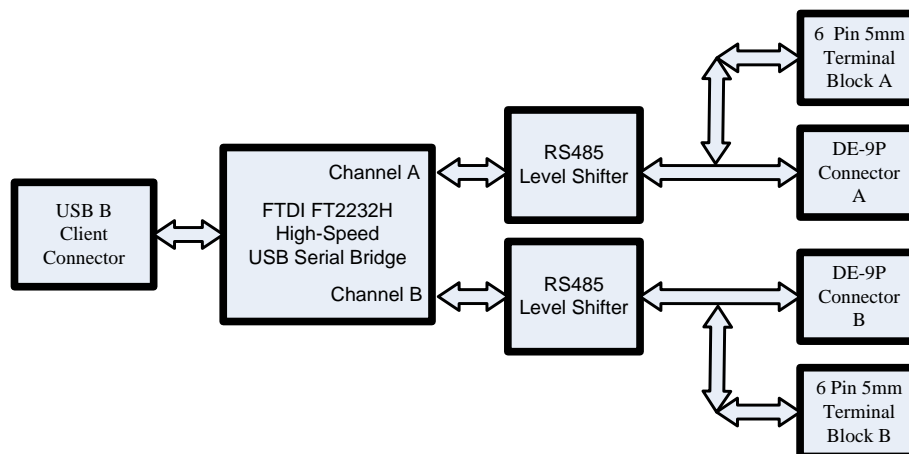


Figure 1.5 - USB2-H-5002-M Block Diagram

1.3.3 Four, Eight and Sixteen Ports Block Diagram

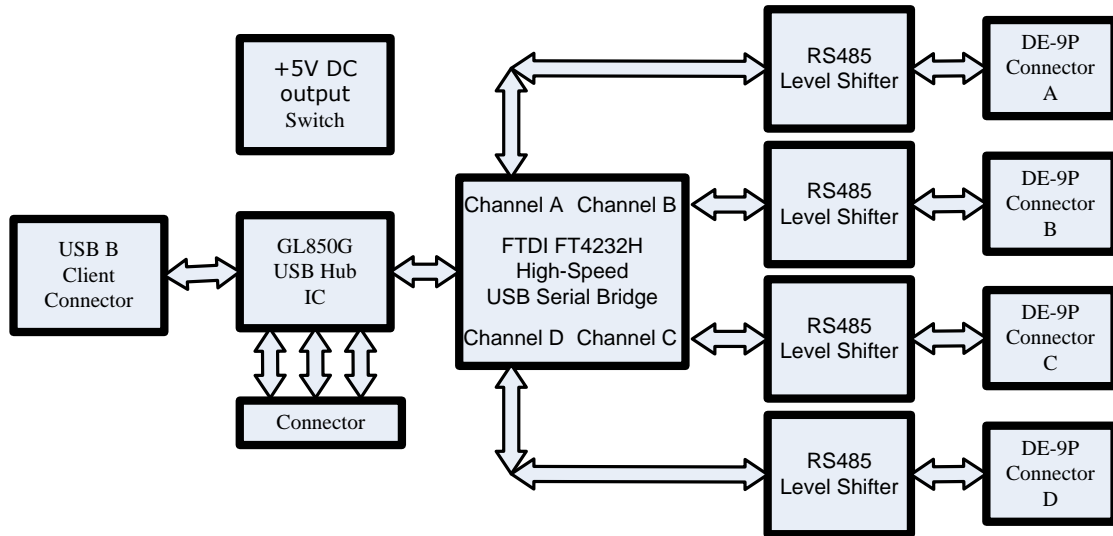


Figure 1.6 - USB2-H-5004/5008/5016-M Main Board Block Diagram

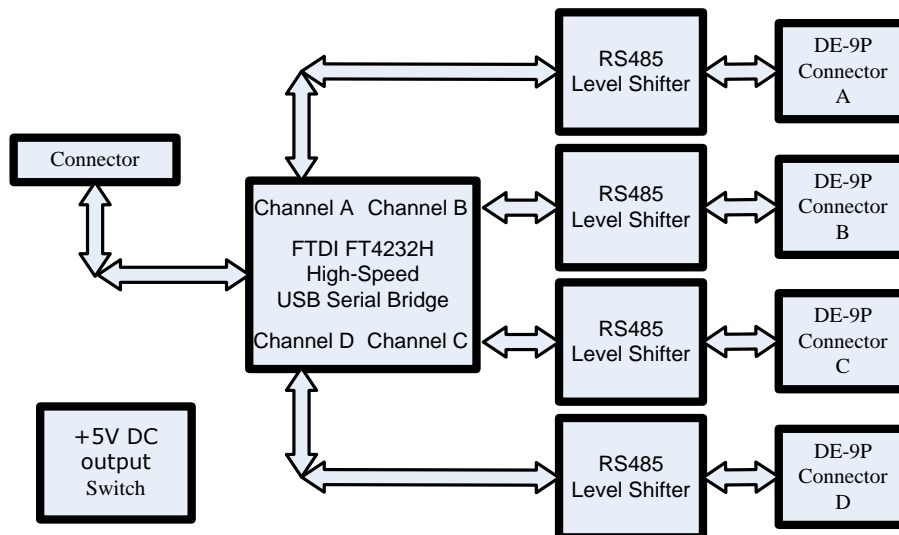


Figure 1.7 - USB2-H-5008/5016-M Daughter Board Block Diagram

1.3.4 Block description

USB B Client Connector

This connector provides the interface for connection to a USB Host or Hub port. The maximum cable length is 5 meters, according to the USB 2.0 specification.

Genesys GL850G

The Genesys GL850G is advanced version Hub solutions which fully complies with Universal Serial Bus Specification Revision 2.0.

FTDI FT4232H

The FTDI FT4232H provides the Hi-Speed USB-to-Serial conversion. Operating system device drivers are required in order to work with the FT4232H to provide the quad Virtual COM Port serial interfaces.

FTDI FT2232H

The FTDI FT2232H provides the Hi-Speed USB-to-Serial conversion. Operating system device drivers are required in order to work with the FT2232H to provide the dual Virtual COM Port serial interfaces.

FTDI FT232H

The FTDI FT232H provides the Hi-Speed USB-to-Serial conversion. Operating system device drivers are required in order to work with the FT232H to provide the Virtual COM Port serial interface.

RS485 Level Shifter

The RS485 level shifter converts the signals provided by the Hi-Speed USB-to-Serial conversion of the FTDI chipset into the voltage levels required by RS485 devices.

DE-9P Connector (Male)

The DE-9P connector is configured in an industry standard (TIA/EIA-574) pin-out to provide connection to RS485 peripherals through standard cables. See section 3.1.2

5mm Terminal Block

There are 5mm terminal block connectors which provide the connection to RS485 peripheral devices and can be used instead of the DE-9P connector shared by the same port.

+5V DC Output Switch

This switch can Disable/Enable the +5VDC to external devices.

Main Board

This is used on 4, 8 and 16 ports products. When product is 4- or 8-port, it uses a main board, when product is 16-port, it uses two main boards.

Daughter board

This is used on the 8 and 16 ports product. A single daughter board is used for 8-port adapters. Two daughter boards are use for 16-port adapters.

1.4 Features

- RS-485 serial ports by connecting to Hi-Speed USB 2.0 interface.
- Easy plug & play installation and RS-485 device connection
- Provides USB2.0 Hi-Speed (480Mbps) interface and works with USB 1.1, 2.0 and 3.0 Host and Hub ports
- Industry Standard FTDI chip set & device drivers for maximum compatibility
- Microsoft Windows® WHQL-certified drivers (Windows 7 - Windows 11)
- Legacy drivers also available for older Windows versions back to XP, and Windows CE
- macOS X and Linux device drivers
- Installs as standard Windows COM ports
- COM port number can be changed to any available COM port number, to support HyperTerminal, or any other serial communications software application running in Windows
- FIFO: USB2-H-5004/5008/5016-M - FT4232H 2K byte transmit buffer, 2K byte receive buffer
- USB2-H-5002-M - FT2232H 4K byte transmit buffer, 4K byte receive buffer
- USB2-H-5001-M FT232H 1K byte transmit buffer, 1K byte receive buffer
- RS-485 data signals: Data+, Data-, GND
- Single, Dual and Quad Port products are powered by the USB port. No external power adapter is required. Note that they can also optionally be powered from external power adapter.
- Serial port speed up to 8Mbps
- Serial Communication Parameters

- Parity: None, Even, Odd
- Data bits: 7, 8
- Flow control: X-ON/X-OFF, None
- Standard DE-9P male connectors
- LEDs indicate USB Enumeration, RxD, TxD for monitoring port status & easy diagnostics
- Operating temperature of -40°C to +85°C
- 5mm terminal block connectors
- Echo and non-Echo modes can be selected.
- Termination ON and OFF modes can be selected.
- +5V DC power provides external devices
 - The maximum current of 4, 8 and 16 port adapters is 30mA
 - The maximum current of 1 and 2 port adapters is 80mA

Note 1: Windows CE5.0 can only support COM0 to COM9 ports and so this will limit the number of ports which can be used.

Note 2: HyperTerminal is no longer provided with Windows 7/Vista, but other terminals are available.

1.5 Performance Figures

Parameter	Performance
USB Interface	480Mbps USB 2.0 High-Speed
RS485 Interface	Standard Windows baud rates (300bps to 921.6Kbps) Custom baud rates (300bps to 8Mbps) through baud rate aliasing. See FTDI Application Note: AN_120_Aliasing_VCP_Baud_Rates
Max Cable Length	USB = 5m, RS485 =12m (at 8Mbps)

Table 1.2 - Performance Figures

Part Number	Description
USB2-H-5016-M	Hi-Speed USB to 16-Ports RS485 module
USB2-H-5008-M	Hi-Speed USB to 8-Ports RS485 module
USB2-H-5004-M	Hi-Speed USB to quad-Port RS485 module
USB2-H-5002-M	Hi-Speed USB to dual-Port RS485 module
USB2-H-5001-M	Hi-Speed USB to single-Port RS485 module

Table 1.3 - Ordering Information

2 Installation

2.1 Hardware Configurations

Insert the A-plug of USB cable into an available USB Host or Hub port. Insert the B-plug of USB cable into the B-receptacle on the USB2-H-500X-M. For the 8-port and 16-port models, the included power adapter is also required. Connect the DC power plug of the supplied power adapter to the +5V DC receptacle on the rear panel and connect the mains plug of the power adapter to a mains outlet. The 1/2/4 port versions are powered over the USB cable from the host computer but can optionally be used with an external 5V power adapter.

2.1.1 Wiring

RS485 cables have followed a standard 9-pin configuration on a D-sub connector since the mid-1980s. The USB2-H-500X-M family follows this standard as a Data Terminal Equipment (DTE) device. If the RS485 equipment being connected is a Data Communication Equipment (DCE) device, it is typical that a straight-through cable can be used.

DTE Pin Number	Signal Name	Expected Connect Signal
1	DATA- = Transmit/Receive Data, negative polarity	DATA-
2	DATA+ = Transmit/Receive Data, positive polarity	DATA+
3	N/A	N/A
4	N/A	N/A
5	GND = signal ground	GND
6	N/A	N/A
7	N/A	N/A
8	N/A	N/A
9	PWR = +5V DC output (4, 8 and 16 ports product.)	PWR

Table 2.1 – RS485 DTE to DCE connection

Single-Port Switch Setting

SW1 Position	Open (off)	Closed (on)
1	Echo ON	Echo OFF
2	Termination OFF	Termination ON

Table 2.2 – Switch Setting Configuration of USB2-H-5001-M

Dual-Port Switch Setting

The Dual-Port has two switches to control the Termination and Echo function of the two channels.

Channel 1:

SW1 Position	Open (off)	Closed (on)
1	Echo ON	Echo OFF
2	Termination OFF	Termination ON

Table 2.3 – SW1 Setting Configuration of the USB2-H-5002-M

Channel 2:

SW2 Position	Open (off)	Closed (on)
1	Echo ON	Echo OFF
2	Termination OFF	Termination ON

Table 2.4 – SW2 Setting Configuration of the USB2-H-5002-M

4 Ports Switch Setting

SW1 Position	Ports Position	Open (off)	Closed (on)
1	CH4	Echo ON	Echo OFF
2	CH3		
3	CH2		
4	CH1		

Table 2.5 – SW1 Setting Configuration of the USB2-H-5004-M

SW2 Position	Ports Position	Open (off)	Closed (on)
1	CH4	Termination OFF	Termination ON
2	CH3		
3	CH2		
4	CH1		

Table 2.6 – SW2 Setting Configuration of the USB2-H-5004-M

SW3 Position	Ports Position	Open (off)	Closed (on)
1	CH4	5V Out Disable	5V Out Enable
2	CH3		
3	CH2		
4	CH1		

Table 2.7 – SW3 Setting Configuration of the USB2-H-5004-M

8 Ports Switch Setting

SW Position	Ports Position	Open (off)	Closed (on)
SW1	1	Echo ON	Echo OFF
	2		
	3		
	4		
SW4	1	ECNo ON	ECNo OFF
	2		
	3		
	4		

Table 2.8 – Echo function Switch Setting Configuration of the USB2-H-5008-M

SW Position	Ports Position	Open (off)	Closed (on)
SW2	1	Termination OFF	Termination ON
	2		
	3		
	4		
SW5	1	Termination OFF	Termination ON
	2		
	3		
	4		

Table 2.9 – Termination function Switch Setting Configuration of the USB2-H-5008-M

SW Position		Ports Position	Open (off)	Closed (on)
SW3	1	CH4	5V Out Disable	5V Out Enable
	2	CH3		
	3	CH2		
	4	CH1		
SW6	1	CH8	5V Out Disable	5V Out Enable
	2	CH7		
	3	CH6		
	4	CH5		

Table 2.10 – 5V Out Switch Setting Configuration of the USB2-H-5008-M

16 Ports Switch Setting

SW Position	Ports Position	Open (off)	Closed (on)	SW Position	Ports Position
SW1	1	Echo ON	Echo OFF	SW7	1
	2				2
	3				3
	4				4
SW4	1	Echo ON	Echo OFF	SW10	1
	2				2
	3				3
	4				4

Table 2.11 – Echo function Switch Setting Configuration of the USB2-H-50016-M

SW Position	Ports Position	Open (off)	Closed (on)	SW Position	Ports Position
SW2	1	Termination OFF	Termination ON	SW8	1
	2				2
	3				3
	4				4
SW5	1	Termination OFF	Termination ON	SW11	1
	2				2
	3				3
	4				4

Table 2.12 – Termination function Switch Setting Configuration of the USB2-H-5008-M

SW Position	Ports Position	Open (off)	Closed (on)	SW Position	Ports Position
SW3	1	5V Out Disable	5V Out Enable	SW9	1
	2				2
	3				3
	4				4
SW6	1	5V Out Disable	5V Out Enable	SW12	1
	2				2
	3				3
	4				4

Table 2.13 – 5V Out Switch Setting Configuration of the USB2-H-5008-M

5V Out:

This +5V supply is available after the USB2-H-500X-M is fully enumerated and device drivers are loaded, and each port provides a maximum current of 30mA.

The single and dual port models do not have the switch but they can provide a maximum current of 80mA (when powered from the USB BUS). When using the external power adapter, the maximum current can be increased.

2.2 Device Driver Installation

For driver installation, please refer to the **Connective Peripherals USB to Serial Converters Driver Installation Guide (CP_000084)** which is available from www.connectiveperipherals.com.

3 Connections

3.1 External Connectors

3.1.1 USB

The USB2-H-500X-M family are downstream USB 2.0 High-speed Devices. A standard USB Series "B" receptacle is mounted inside the USB2-H-500X-M FAMILY to facilitate connection to an upstream USB Host or Hub.

Pin Number	Pin Type	Description
1	Power	VBUS - USB Power provided from upstream USB Host or Hub
2	Bidirectional	D- = USB data signal, negative polarity
3	Bidirectional	D+ = USB data signal, positive polarity
4	Ground	GND = USB signal ground
Shield	Case Ground	Drain = typically connected to the host PC case

Table 3.1 – USB "B" Receptacle Pin-Out

3.1.2 RS485

The RS485 ports are configured as Data Terminal Equipment (DTE), with a 9-contact D-Sub Pin connector. Pin assignments are according to TIA/EIA-485.

Pin Number	Pin Type	Description
1	DATA- = Transmit/Receive Data, negative polarity	DATA-
2	DATA+ = Transmit/Receive Data, positive polarity	DATA+
3	N/A	N/A
4	N/A	N/A
5	GND = signal ground	GND
6	N/A	N/A
7	N/A	N/A
8	N/A	N/A
9	PWR = +5V DC output	PWR

Table 3.2 – DE-9P RS485 Pin-Out

Note: In addition, pin 9 of the DB9 provides +5VDC to an external device with a maximum current draw of 30mA once the USB2-H-500X-M has been enumerated by the system.

3.1.3 5mm Terminal Block

The single and dual port products also provide a 5mm terminal block connector. This is shown in the following table:

Single Port Terminal Block

Single Port Terminal Block		
Terminal Block Pin Number	Pin Type	Description
1	Input	Channel 1 DATA-
2	Input	Channel 1 DATA+
3	N/A	N/A
4	N/A	N/A
5	Ground	GND = RS485 signal ground
6	N/A	N/A
7	N/A	N/A
8	N/A	N/A

9	N/A	N/A
10	PWR output	+5V DC output

Table 3.3 – USB2-H-5001-M Terminal Block interface

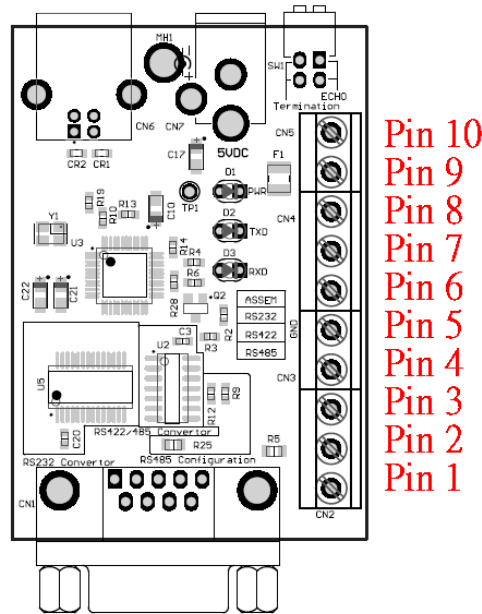


Figure 3.1 - USB2-H-5001-M Terminal Block Connector Assignment

Dual Port Terminal Block

Dual Port Terminal Block		
Terminal Block Pin Number (Channel 1 and Channel 2)	Pin Type	Description
1	Input	Channel 1 DATA-
2	Input	Channel 1 DATA+
3	N/A	N/A
4	N/A	N/A
5	PWR output	+5V DC output
6	Ground	GND = RS485 signal ground

Table 3.4 –USB2-H-5002-M Terminal Block interface

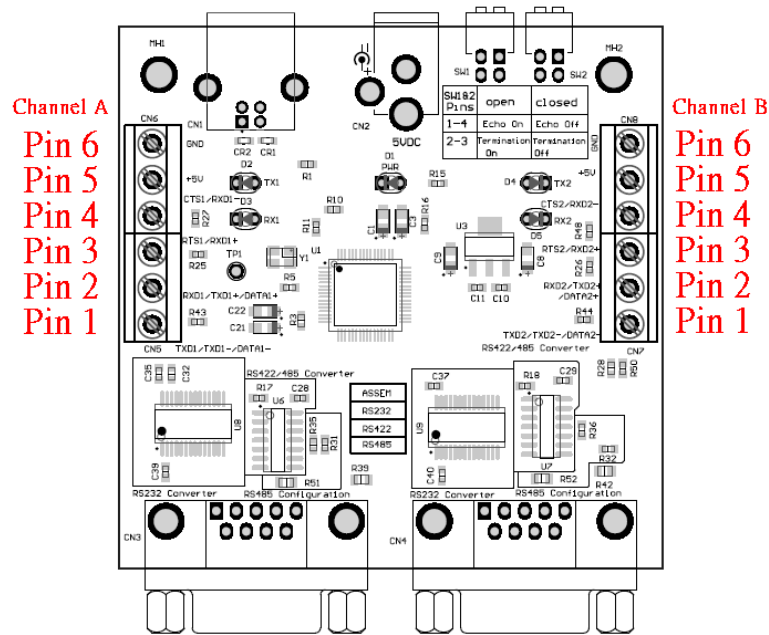


Figure 3.2 - USB2-H-5002-M Terminal Block Connector Assignment

In addition, one pin of the terminal block connector can provide +5VDC to an external device with a maximum current draw of 80mA once the USB2-5001/5002-M has been enumerated by the system.

4 Termination and BIAS Resistors Setting

Figure 4.1 shows a general-purpose RS-485 network which has 4 devices. Each node has a transceiver that interfaces between RS-485 and TTL logic levels. Each node also has two 10KΩ biasing resistors which hold the lines in a known state when no drivers are enabled.

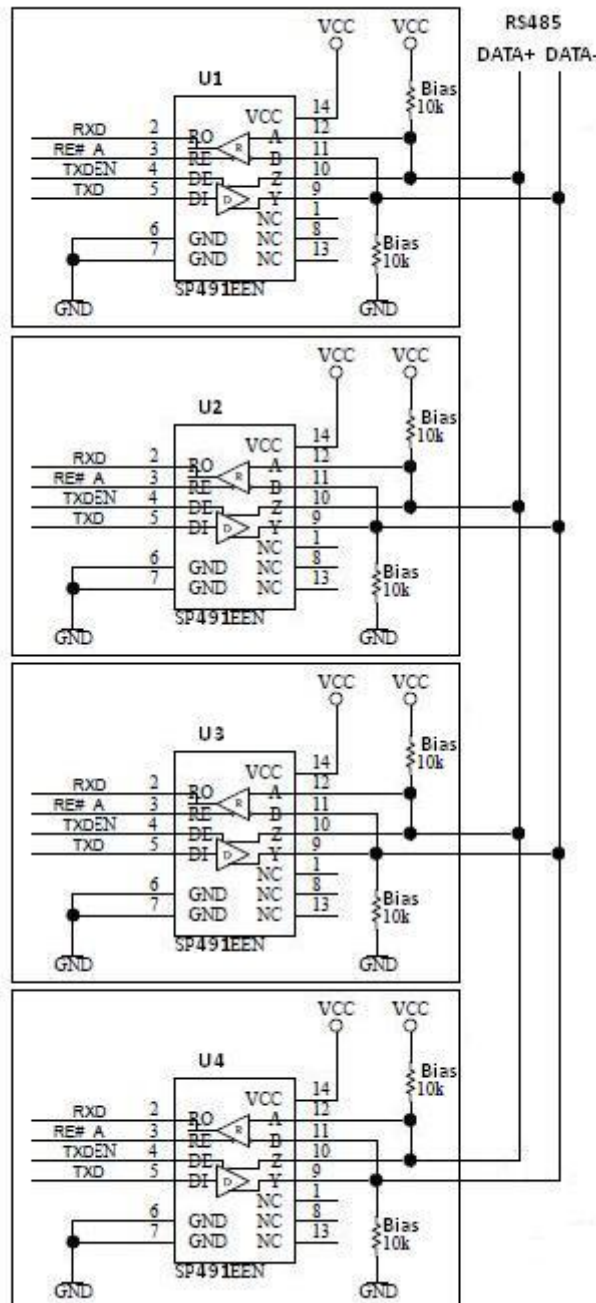


Figure 4.1 – An example for RS485 network (Without Terminations)

The USB2-H-500X-M has these biasing circuits fitted internally. The unit is supplied with a 10K Ω pullup from line Data+ to VCC and a 10K Ω pulldown from line Data- to ground. When no drivers are enabled, the biasing resistors hold line Data+ more positive than line Data-. Note that these are sufficient when no termination is enabled on the bus, but additional resistors may be required if termination is enabled. Please refer to Figure 4.2 in this case.

If there are over 20 devices in the network, the parallel value of bias resistors will reduce to 500 Ω , and the value will be too small, and the transceiver output may not drive the signal high or low correctly. Removing the internal bias resistors from some nodes to reduce the combined value to greater than 500 Ω will improve the signal quality in this case. There should not be issues if the parallel value of the bias resistors is over 500 Ω .

Adding terminations will reduce voltage reflections that can cause the receiver to misread logic levels. The receiver sees reflected voltages as output switches, and the line settles from its initial current to its final current. The termination eliminates reflections by making the initial and final currents equal. The circuit has two 120- Ω terminating resistors connected in parallel, at or just beyond the final node at each end of the link. One end of the link also has two 750- Ω biasing resistors.

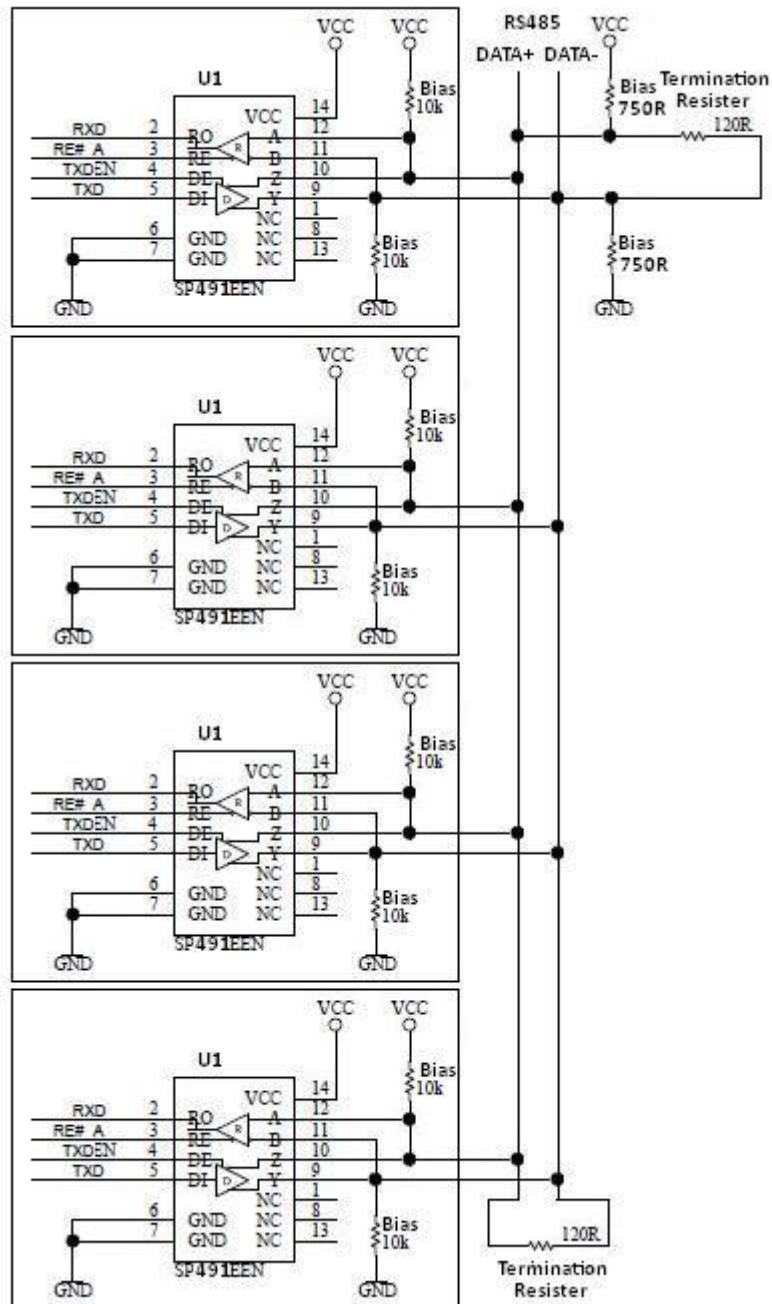


Figure 4.2 – An example for RS485 network (With Terminations)

The final current is a function of the line termination, the receivers' input impedance, and the line's series impedance. In a typical RS-485 line without a termination, the initial current is greater than the final current because the characteristic impedance is less than the receivers' combined input impedance.

On a line without a termination, the first reflection occurs when the initial current reaches the receiver. The receiver's input can absorb only a fraction of the current. The rest reflects back to the driver. As the current reverses direction, its magnetic field collapses and induces a voltage on the line. As a result, the receiver initially sees a greater voltage than what was transmitted.

When the reflected voltage reaches the driver, which has lower impedance than the line, the driver absorbs some of the reflection and bounces the rest back to the receiver. This reflection is of opposite polarity to the first reflection and causes the receiver to see a reduced voltage. The reflections bounce back and forth like this for a few rounds before they die out and the line settles to its final current.

If the line terminates with a resistor equal to the line's characteristic impedance, there are no reflections. When the initial current reaches the termination, it sees exactly what it was expecting—a load equal to the line's characteristic impedance. The entire transmitted voltage drops across the load. In a network with two parallel terminations, the drivers drive two lines with each ending at a termination.

When two 120Ω termination resistors are added, the difference between Data+ and Data- shrinks to a few millivolts, much less than the required 200 mV. The solution is to add smaller resistors in parallel with the internal biasing so that a greater proportion of the series voltage drops across the termination.

The size of the biasing resistors is a trade-off. For a greater voltage difference and higher noise immunity on an idle line, use smaller values. For lower power consumption and a greater differential voltage on a driven line, use larger values.

The table 4.1 below shows the component numbers of the bias resistors in each module. All termination resistors in the USB2-H-500X-M can be enabled or disabled by switches. Please refer to table 2.12. The user can also remove or modify the internal bias resistors to meet their requirements. All default value of bias resistors is 10KΩ.

Modules Name	Bias Resistor Numbers	
	Daughter Board	Main Board
USB2-H-50016-M	(R41,R47),(R46,R48),(R49,R67),(R66,R68)	(R38,R40),(R39,R41),(R42,R48),(R47,R49)
USB2-H-5008-M	(R41,R47),(R46,R48),(R49,R67),(R66,R68)	(R38,R40),(R39,R41),(R42,R48),(R47,R49)
USB2-H-5004-M	R38,R40),(R39,R41),(R42,R48),(R47,R49)	
USB2-H-5002-M	(R51,R53),(R52,R54)	
USB2-H-5001-M	R25,R26	

Table 4.1 – Bias Resistor Numbers of Each Modules

5 Electrical details

5.1 USB

Parameter	Description	Minimum	Typical	Maximum	Units	Conditions
USB_VCC	Input Power Voltage*	4.25	5.0*	5.25	V	*Present when USB cable is attached, and USB Host or Hub powered.
1 port	I _{cc} USB current		61	62	mA	***Does not include power supplied to external device via the +5V output
2 ports			85	100		
4 ports			115	135		

Table 5.1 - USB Electrical Details

5.2 5V Power Adapter

Parameter	Description	Minimum	Typical	Maximum	Units	Conditions
5V Power adapter_VCC	Power Voltage	4.75	5	5.25	V	Adapter provides 5V 2A of power.
8 ports	I _{cc} Power adapter current		300	320	mA	***Does not include power supplied to external device via the +5V output
16 ports			535	555		

Table 5.2 - 5V Power Adapter Electrical Details

5.3 RS485

Parameter	Description	Minimum	Typical	Maximum	Units	Conditions
V _{trans}	Transmitter output voltage swing	2			V	RL = 50R CL = 50pF
V _{rec}	Receiver input voltage range	-7		+12	V	RL = 50R CL = 50pF
ESD HBM	N/A		±15		KV	For all RS-485 Input and Output pins

Table 5.3 -RS485 Electrical Details

5.4 Power Output

The USB2-H-500X-M provides +5V DC for an external device that requires power on pin9 of DB9 and termination block connector. The +5V output is only enabled when the USB interface is not in suspend. Also ensure that the 5V enable switch is set to ON.

Parameter	Description	Minimum	Typical	Maximum	Units	Conditions
I _o	Single and Dual port Output Power Current	0		80	mA	USB interface is not in SUSPEND. This is the total current available on all ports
	4, 8 and 16 ports Output Power Current	0		30	mA	The Switch is set in +5V DC enable, and USB interface is not in SUSPEND.

Table 5.4 - Power Output for USB2-H-500X-M

6 Physical Environment Details

6.1 Storage Temperature

Parameter	Description	Minimum	Typical	Maximum	Units	Conditions
T	Storage Temperature Range		25		°C	Dry and dust-free space with a constant temperature and relative humidity less than 65%.

Table 6.1 - Storage Temperature

6.2 Operating Temperature

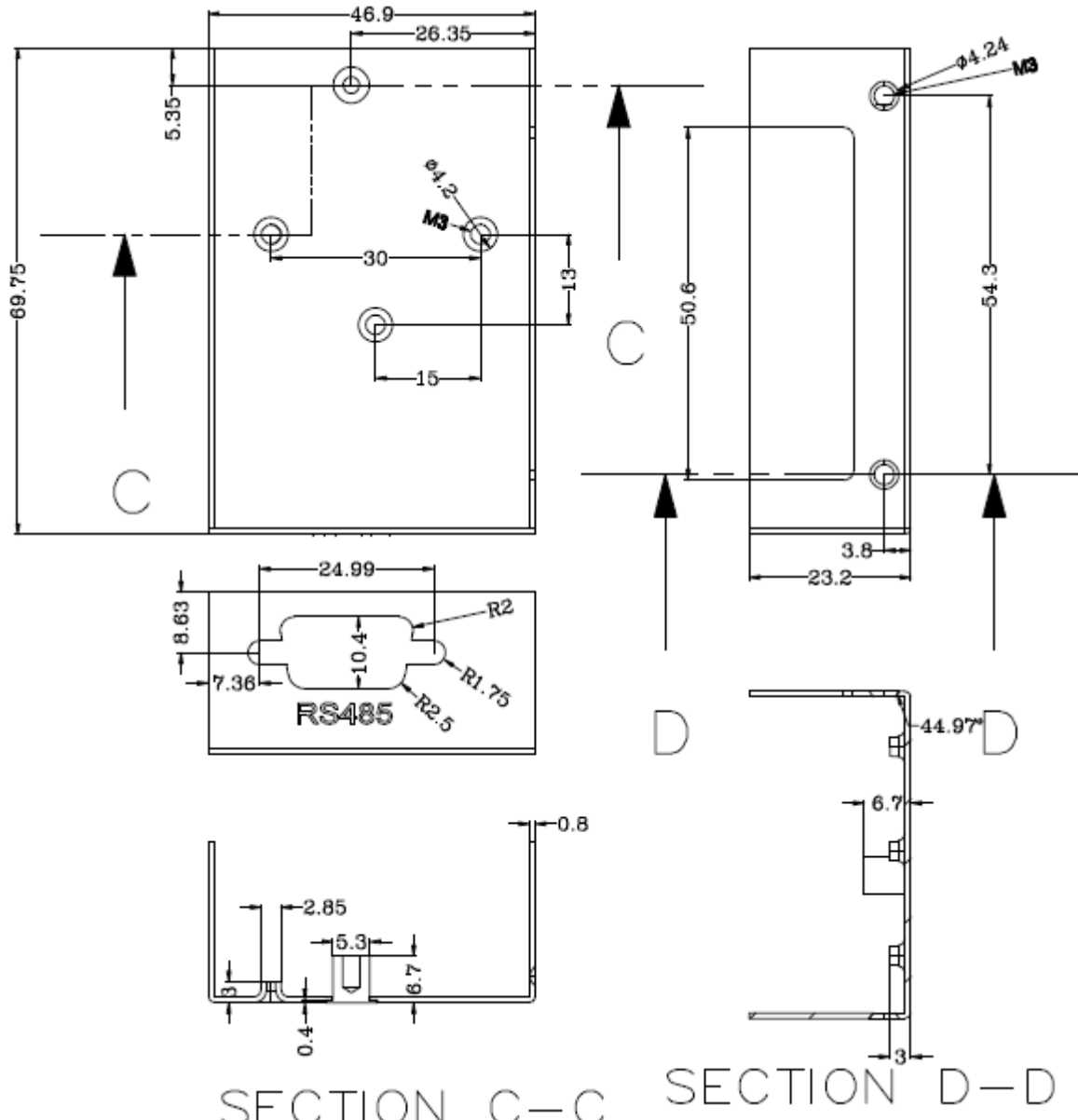
Parameter	Description	Minimum	Typical	Maximum	Units	Conditions
T	Operating Temperature Range	-40		+85	°C	5% to 95% RH, noncondensing

Table 6.2 - Operating Temperature

7 Physical Dimensions

All dimensions are in mm, and the tolerances are +/-0.1mm.

7.1 USB2-H-5001-M Dimension



SECTION C-C SECTION D-D
Figure 7.1 - USB2-H-5001-M Top Cover of Dimension

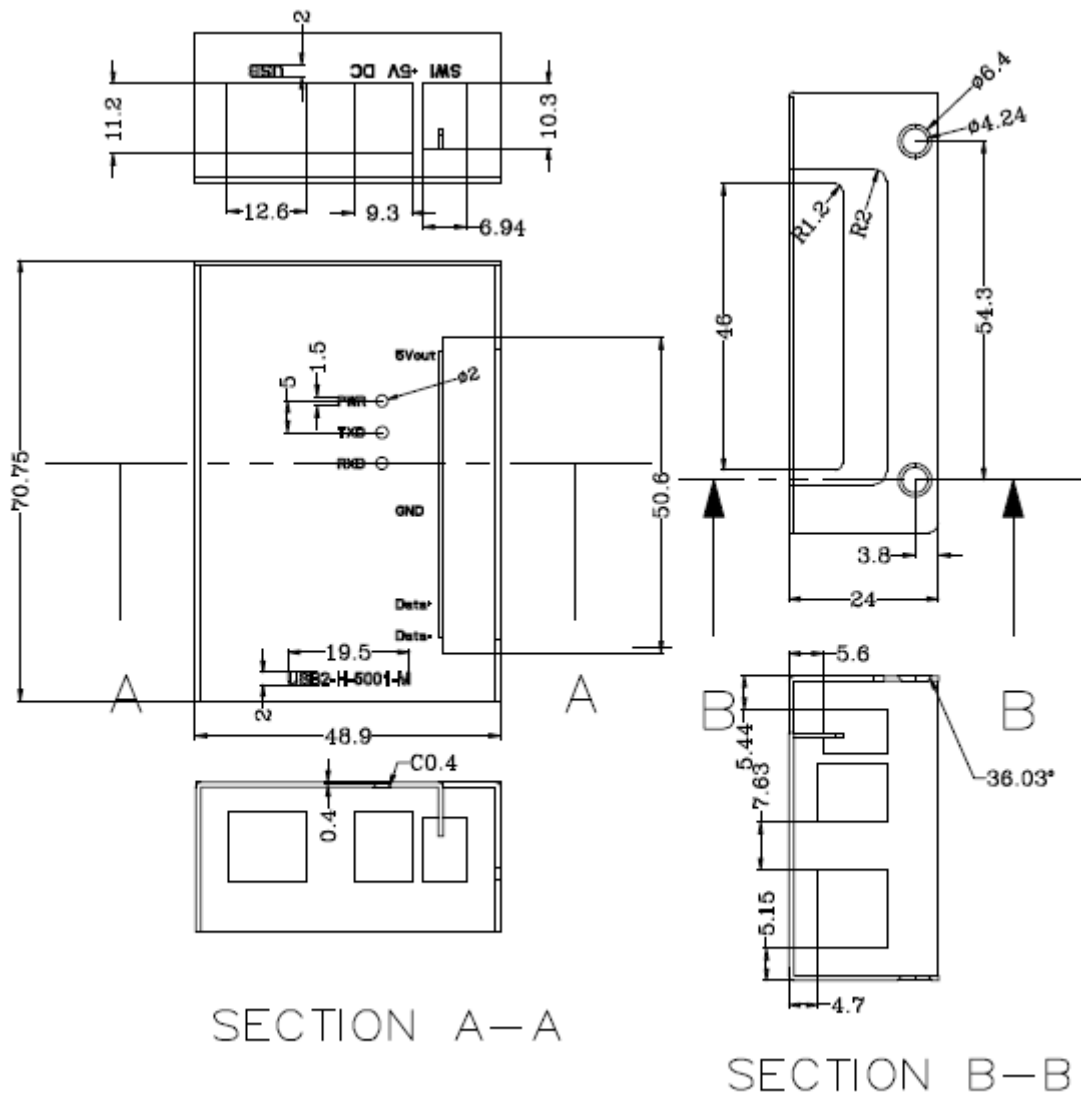


Figure 7.2 - USB2-H-5001-M Bottom Cover of Dimension

7.2 USB2-H-5002-M Dimension

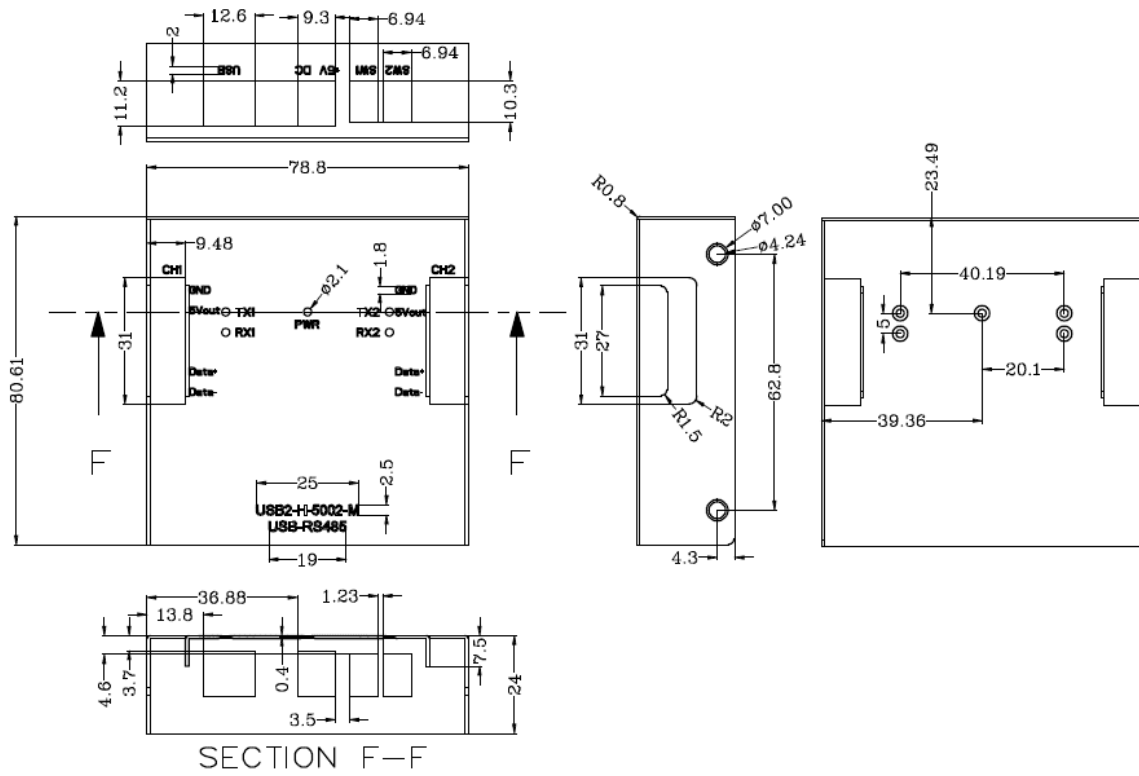


Figure 7.3 - USB2-H-5002-M Top Cover of Dimension

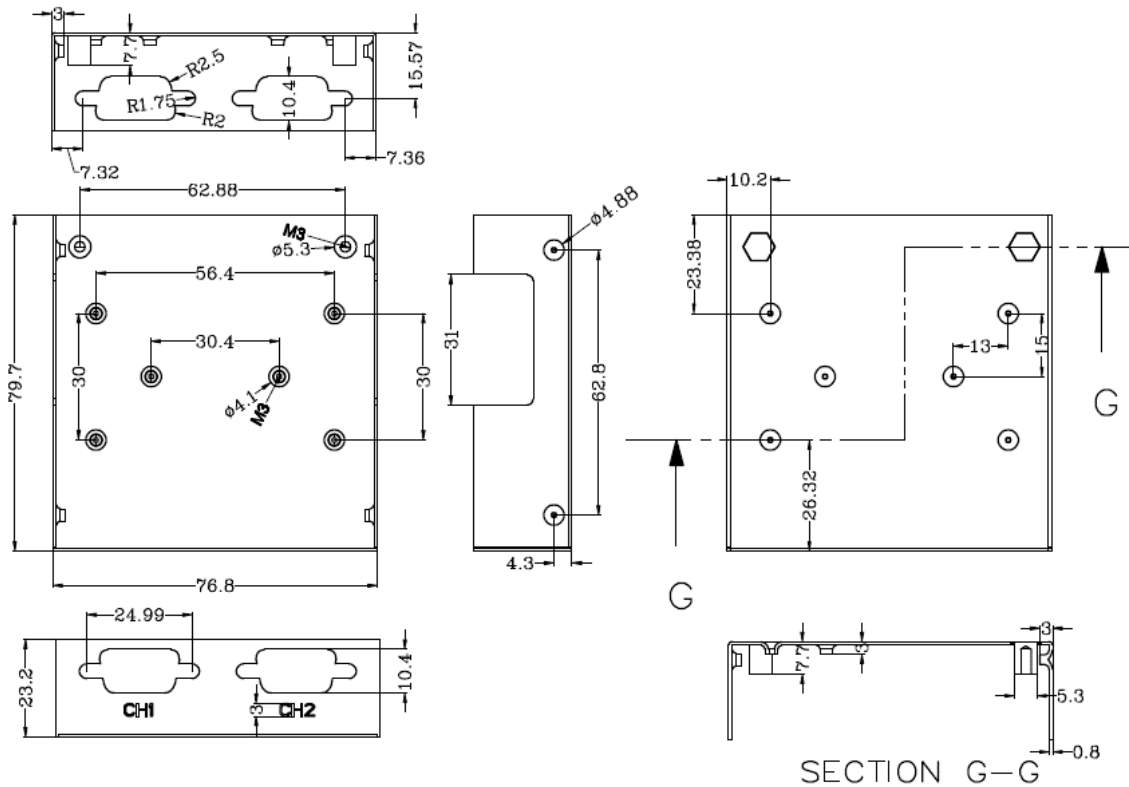


Figure 7.4 - USB2-H-5002-M Bottom Cover of Dimension

7.3 USB2-H-5004-M Dimension

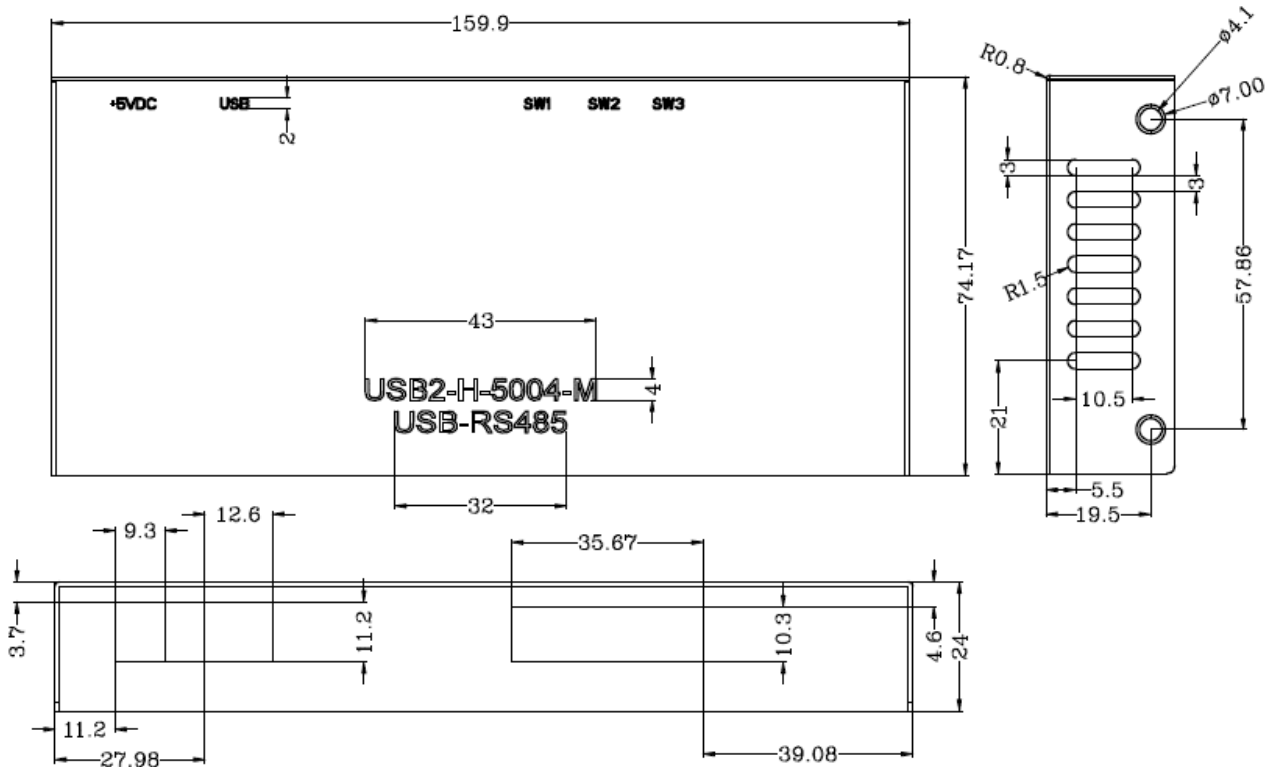


Figure 7.5 - USB2-H-5004-M Top Cover of Dimension

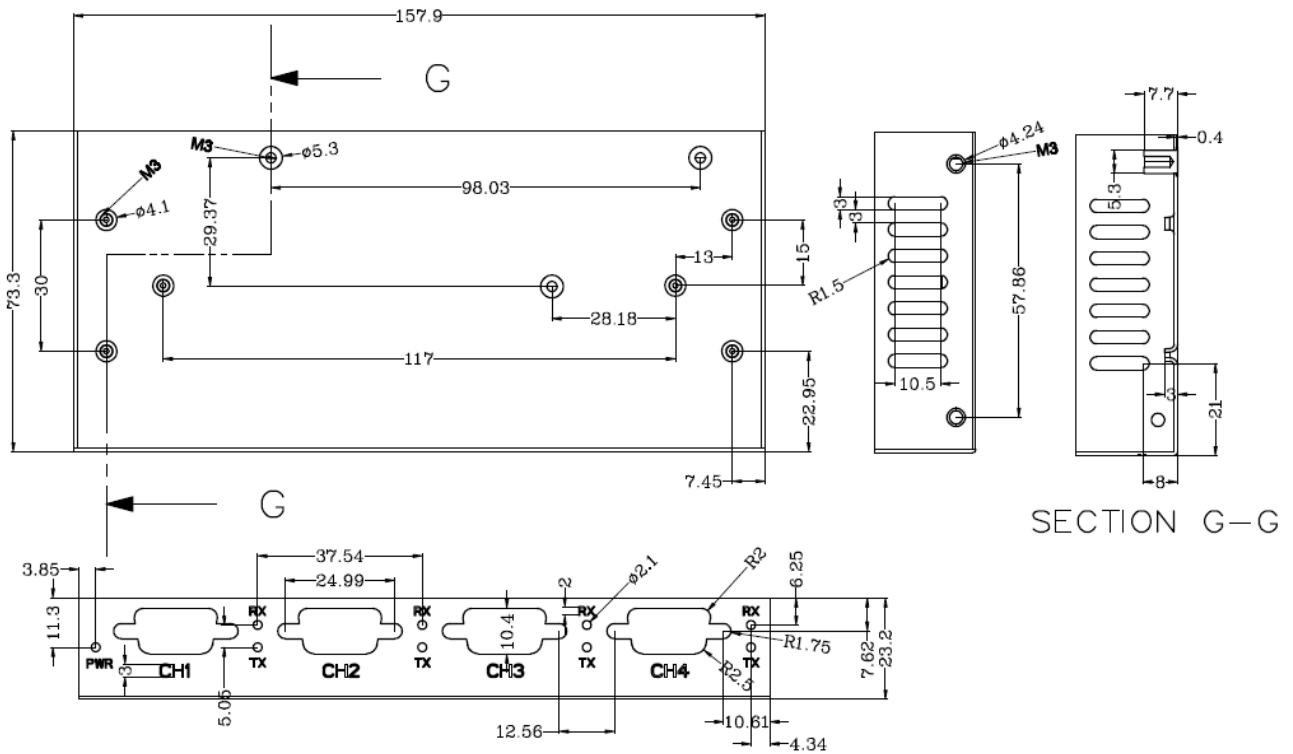


Figure 7.6 - USB2-H-5004-M Bottom Cover of Dimension

7.4 USB2-H-5008-M Dimension

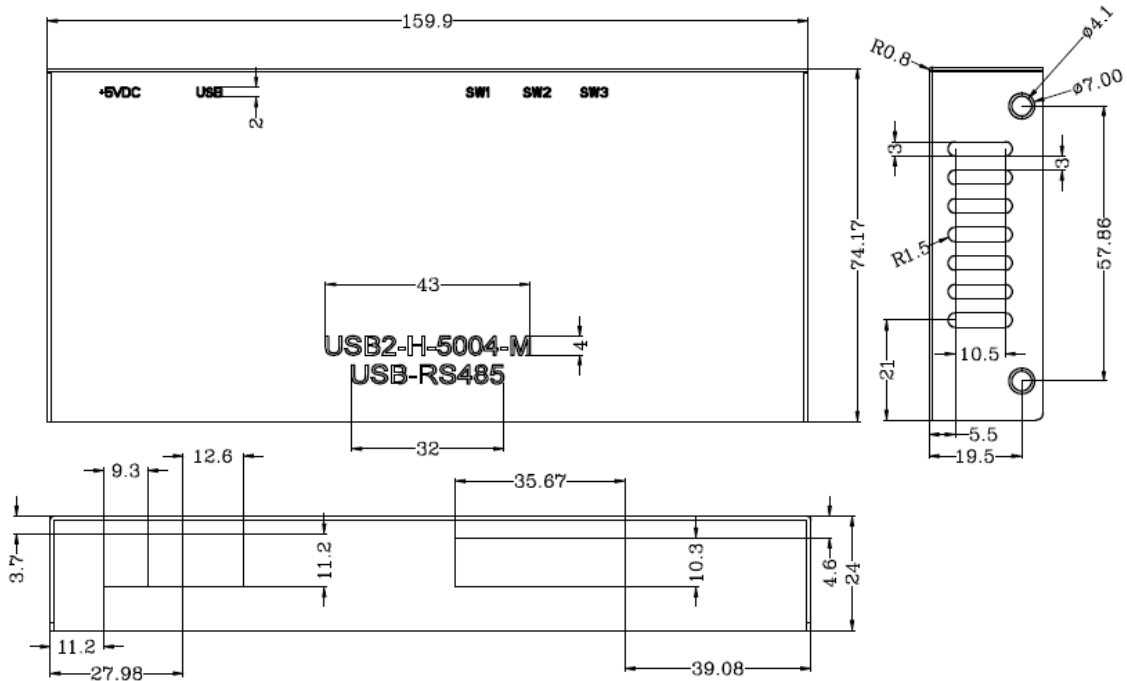


Figure 7.7 - USB2-H-5008-M Top Cover of Dimension

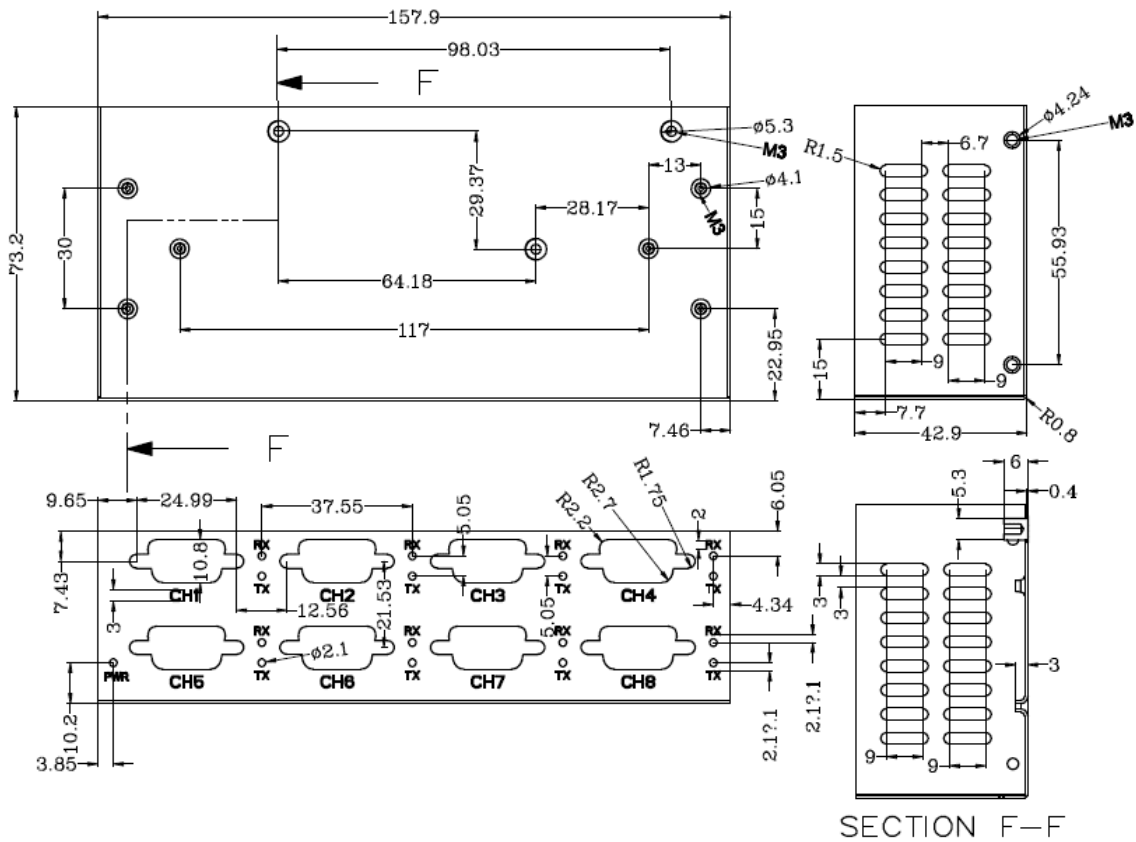


Figure 7.8 - USB2-H-5008-M Bottom Cover of Dimension

7.5 USB2-H-5016-M Dimension

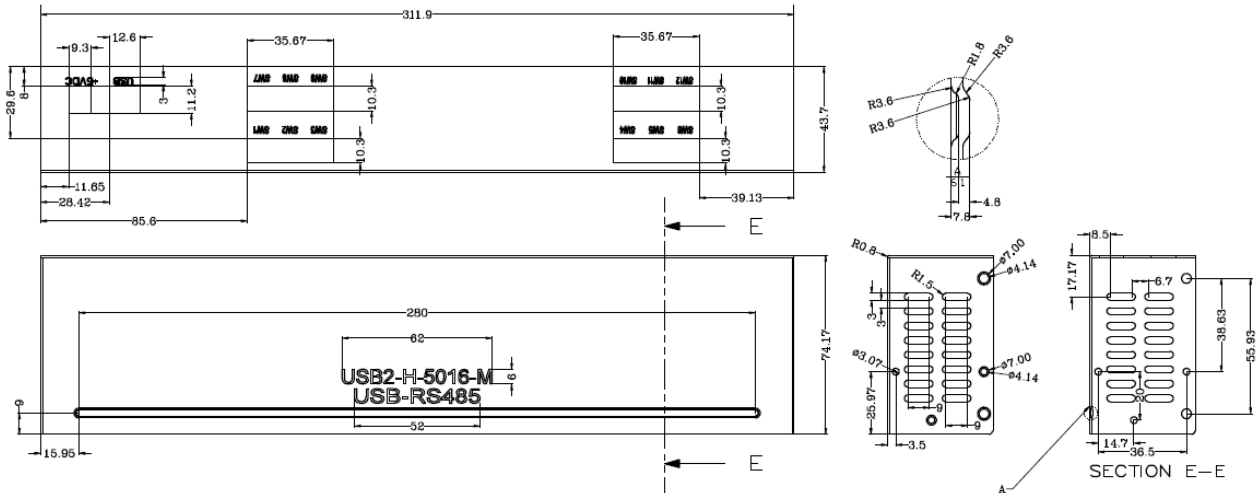


Figure 7.9 - USB2-H-5016-M Top Cover of Dimension

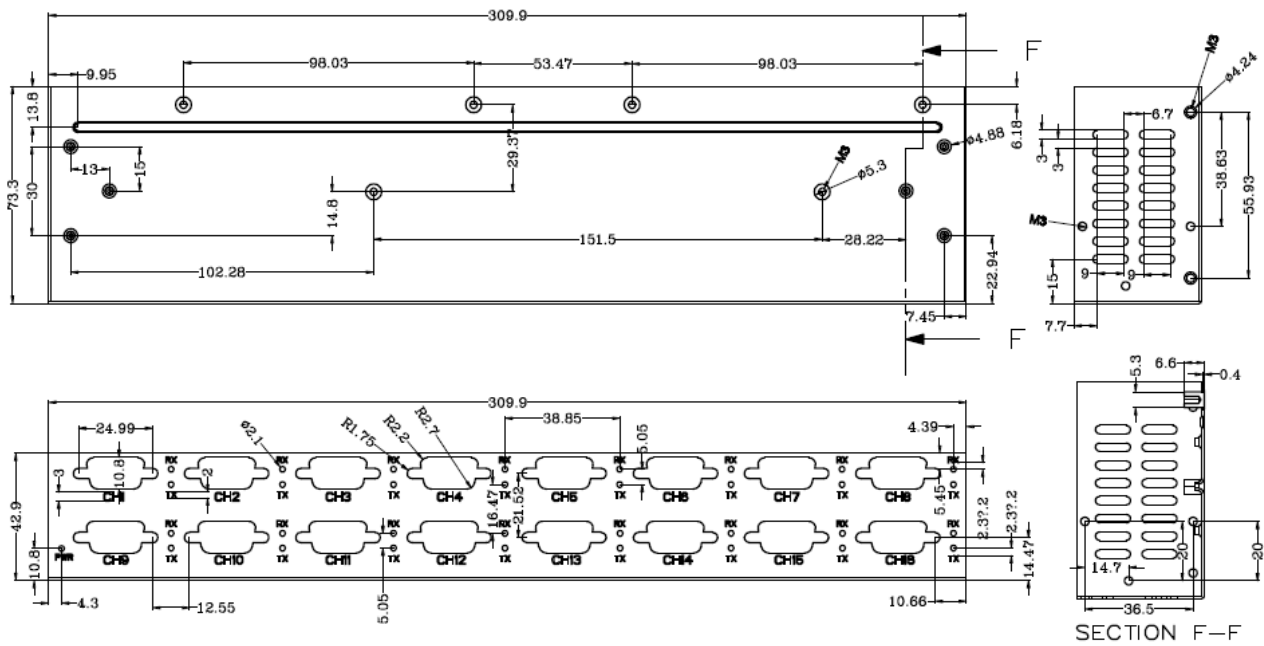


Figure 7.10 - USB2-H-5016-M Bottom Cover of Dimension

8 Environmental Approvals & Declarations

8.1 EMI Compatibility

FCC and CE

The USB2-H-500X-M family have been tested to be compliant with both FCC Part 15 Subpart B and European EMC Directive.



NOTE: This is a Class B product. In a domestic environment, this product may cause radio interference, in which case the user may be required to take adequate measures.



NOTE: This equipment has been tested and found to comply with the limits for a Class B digital device, pursuant to Part 15 of the FCC Rules. These limits are designed to provide reasonable protection against harmful interference in a residential installation. This equipment generates uses and can radiate radio frequency energy and, if not installed and used in accordance with the instructions, may cause harmful interference to radio communications. However, there is no guarantee that interference will not occur in a particular installation. If this equipment does cause harmful interference to radio or television reception, which can be determined by turning the equipment off and on, the user is encouraged to try to correct the interference by one or more of the following measures:

- Reorient or relocate the receiving antenna.
- Increase the separation between the equipment and receiver.
- Connect the equipment into an outlet on a circuit different from that to which the receiver is connected.
- Consult the dealer or an experienced radio/TV technician for help.

8.2 Safety

The USB2-H-500X-M-FAMILY is defined as Limited Power Supply (LPS) device, with operating voltages under 60VDC.

8.3 Environmental

The USB2-H-500X-M family are a lead-free device that complies with the following environmental directives: RoHS, WEEE, REACH, PFOS and DecaBDE.

8.4 Reliability

The USB2-H-500X-M family are designed as a robust USB-Serial module for use in many environments. There are no user-serviceable parts. Any failure will require a replacement of the unit.

8.5 Import / Export Information

Import / Export Information	
Country of Origin	China
Harmonized Code	8471-80-1000
Product Description	USB to RS485 Development Module, Single/Dual/Quad/Eight/Sixteen COM Port
USA ECCN	EAR99 - No License Required

Table 8.1 - Import / Export Information

9 Troubleshooting

9.1 Hardware

Cables are the most common sources of trouble with external devices.

Check the following:

- USB cable is properly inserted at both ends
- Computer power is ON
- Computer is not in Sleep or Standby
- If a USB Hub is used, be sure it is set for "Self-Powered" operation
- If a USB Hub is used, be sure all cables are properly inserted
- If all the above are OK, the Yellow LED should be lit, indicating the device has been recognized by the USB subsystem.

RS485 cables – check the following:

- Check for specific handshake requirements of your RS485 peripheral.
- Because there are no handshake signals, ensure the application is set to "No Hardware Handshake", or equivalent.
- Check if the application should have echo enabled or disabled.
- On multi-port models, test the port with a loop-back connector connected between the port to be tested and another of the ports on the unit. Connect DATA+ of the port to be tested to DATA+ of the second port. Connect DATA- of the port to be tested to DATA- of the second port. Use a simple terminal program to check that data is transmitted and received between the port under test and the other port.
- On the single port model, a simple test can be carried out by disconnecting any RS485 device attached to the unit and enabling the Echo function. RS485 half-duplex has an inherent echo as part of its operation because the RS485 line driver/receiver also receives back any data it writes to the RS485 lines (unless Echo is turned off). Open the port in a terminal program and any characters sent will be echo'd back. This tests the path through the transmit channel of the FTDI chip and the transceiver and back again through the receive channel of the FTDI chip.

9.2 Device Driver

Ensure the latest device driver is in use. For instructions on how to remove and re-install the latest driver, refer to the **Connective Peripherals USB to Serial Converters Driver Installation Guide (CP_000084)** which is available from www.connectiveperipherals.com
If other devices with FTDI chips are installed in the system, check with all manufacturers of these devices for the latest device drivers.

The FTDI installation guides also have additional information on driver installation:
<https://ftdichip.com/document/installation-guides/>

Common Windows Device Driver Troubles:

- **DEVICE TIMES OUT:** The default settings of the device driver assume typical data transfers of hundreds to thousands or more bytes at a given time. Some applications, such as a GPS device, only send data in short packets, often only a few bytes. If this is the case, it may be necessary to adjust the driver buffer size and/or latency timer to smaller values. These values can be adjusted through the advanced driver options which can be accessed by double-clicking on the device under the Ports (COM & LPT) section of the Windows Device Manager and clicking the advanced button in the Port Settings tab. The buffer size can be reduced to 64 bytes. The latency timer can be set as low as 2ms. A setting of 1ms will cause unnecessary USB traffic and could adversely affect data transmission.
- **ERRATIC MOUSE POINTER:** The device driver defaults to query an attached device to find out whether it is a mouse or modem, consistent with native COM port operation. Some RS232 peripherals constantly send short packets of data, causing the host system to "think" a mouse or

modem has been attached. These short packets will interfere with normal mouse operation causing the pointer to jump around the screen. If this happens, disconnect the RS232 device, and *uncheck the Serial Enumerator* option. This setting is in the advanced driver options which can be accessed by double-clicking on the device under the Ports (COM & LPT) section of the Windows Device Manager and clicking the advanced button in the Port Settings tab.

- **COM PORT IN USE:** Windows keeps track of all COM port assignments. If multiple products have been connected to a single system, the COM port number will increase, even if the other devices are not attached. If the higher COM port assignments are not acceptable for the application, known unused COM port numbers can be uninstalled as shown in the **Connective Peripherals USB to Serial Converters Driver Installation Guide (CP_000084)** which is available from www.connectiveperipherals.com and the FTDI driver installation guides at <https://ftdichip.com/document/installation-guides/>.

9.3 Technical Support

Technical support may be obtained from your nearest Connective Peripherals office. See details below.

E-Mail (Support): support@connectiveperipherals.com

Web: <http://www.connectiveperipherals.com>

10 Contact Information

Global Headquarters – Singapore

Connective Peripherals Pte Ltd
178 Paya Lebar Road
#07-03
Singapore 409030

Tel: +65 67430980
Fax: +65 68416071

E-Mail (Sales)	sales@connectiveperipherals.com
E-Mail (Support)	support@connectiveperipherals.com
Web Site URL	http://www.connectiveperipherals.com
Web Shop URL	http://www.connectiveperipherals.com

Appendix A – List of Figures and Tables

List of Figures

Figure 1.1 - USB2-H-5001-M.....	4
Figure 1.2 - USB2-H-5002-M.....	4
Figure 1.3 - USB2-H-5004/5008/5016-M	5
Figure 1.4 - USB2-H-5001-M Block Diagram	6
Figure 1.5 - USB2-H-5002-M Block Diagram	6
Figure 1.6 - USB2-H-5004/5008/5016-M Main Board Block Diagram	7
Figure 1.7 - USB2-H-5008/5016-M Daughter Board Block Diagram	7
Figure 3.1 - USB2-H-5001-M Terminal Block Connector Assignment.....	15
Figure 3.2 - USB2-H-5002-M Terminal Block Connector Assignment.....	16
Figure 7.1 - USB2-H-5001-M Top Cover of Dimension	23
Figure 7.2 - USB2-H-5001-M Bottom Cover of Dimension	24
Figure 7.3 - USB2-H-5002-M Top Cover of Dimension	25
Figure 7.4 - USB2-H-5002-M Bottom Cover of Dimension	25
Figure 7.5 - USB2-H-5004-M Top Cover of Dimension	26
Figure 7.6 - USB2-H-5004-M Bottom Cover of Dimension	26
Figure 7.7 - USB2-H-5008-M Top Cover of Dimension	27
Figure 7.8 - USB2-H-5008-M Bottom Cover of Dimension	27
Figure 7.9 - USB2-H-5016-M Top Cover of Dimension	28
Figure 7.10 - USB2-H-5016-M Bottom Cover of Dimension	28

List of Tables

Table 1.1 – LED Description	6
Table 1.2 - Performance Figures	9
Table 1.3 - Ordering Information	9
Table 2.1 – RS485 DTE to DCE connection	10
Table 2.2 – Switch Setting Configuration of USB2-H-5001-M.....	10
Table 2.3 – SW1 Setting Configuration of the USB2-H-5002-M	10
Table 2.4 – SW2 Setting Configuration of the USB2-H-5002-M	10
Table 2.5 – SW1 Setting Configuration of the USB2-H-5004-M	11
Table 2.6 – SW2 Setting Configuration of the USB2-H-5004-M	11
Table 2.7 – SW3 Setting Configuration of the USB2-H-5004-M	11
Table 2.8 – Echo function Switch Setting Configuration of the USB2-H-5008-M	11
Table 2.9 – Termination function Switch Setting Configuration of the USB2-H-5008-M	11
Table 2.10 – 5V Out Switch Setting Configuration of the USB2-H-5008-M.....	12
Table 2.11 – Echo function Switch Setting Configuration of the USB2-H-50016-M.....	12
Table 2.12 – Termination function Switch Setting Configuration of the USB2-H-5008-M.....	12

Table 2.13 – 5V Out Switch Setting Configuration of the USB2-H-5008-M.....	12
Table 3.1 – USB "B" Receptacle Pin-Out	14
Table 3.2 – DE-9P RS485 Pin-Out	14
Table 3.3 – USB2-H-5001-M Terminal Block interface.....	15
Table 3.4 –USB2-H-5002-M Terminal Block interface.....	15
Table 4.1 –Bias Resistor Numbers of Each Modules	19
Table 5.1 - USB Electrical Details	20
Table 5.2 - 5V Power Adapter Electrical Details.....	20
Table 5.3 –RS485 Electrical Details	20
Table 5.4 - Power Output for USB2-H-500X-M.....	21
Table 6.1 - Storage Temperature.....	22
Table 6.2 - Operating Temperature	22
Table 8.1 - Import / Export Information	30

Appendix B – Revision History

Revision	Changes	Date
1.0	Initial release	2012-01-19
1.1	Change the SW Position information for 5001 and 5002	2012-06-25
1.2	Re-branding to reflect the migration of the product from EasySync to Connective Peripherals name – logo change, copyright changed, contact information Changed, all internal hyperlinks changed.	2019-03-20
1.3	Updated driver installation section to refer to Connective Peripherals USB to Serial Converters Driver Installation Guide (CP_000084). Storage temperature section updated. Various minor updates.	22-08-2022