



Fan Power Adapter

User Manual

Version 1.0.0

Contents

1	General Overview	3
1.1	Fan Power Adapter	3
2	Operations Guide	4
2.1	Getting Started	4
2.2	Notes & Special Features	5
2.3	Specifications	5
3	Support	6
3.1	Maintenance	6
3.2	Warranty	6
3.3	Contact us	6

General Overview

1.1 Fan Power Adapter

The Doric *Fan Power Adapter* allows the usage of legacy LED light sources (*LEDC1*) with the next-generation LED light source driver (*LEDD*). The next-generation driver no longer provides power for the cooling fan of the *LEDC1*.



Figure 1.1: *Fan Power Adapter*

The *Fan Power Adapter* is also necessary to use certain models with next-generation LED light source drivers.

- Combined LED light sources (*LEDC2*, *LEDC3*, *LEDC4*).
- Combined LED light sources with fiber-optic rotary joint (all *LEDFRJ* models).

2.1 Getting Started

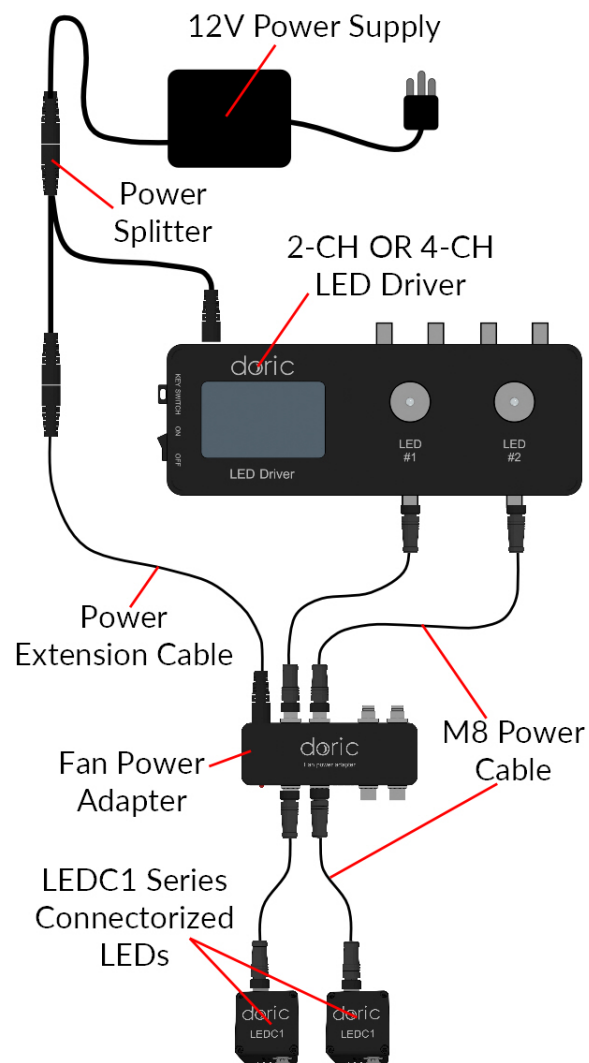


Figure 2.1: Fan Power Adapter Installation Schematic, LEDC1

1. Connect the *Power Splitter* to the *12 V power supply*.
2. Connect one output of the *Power Splitter* to the *Doric LED Driver 12 V input*, the other to the *Power Extension Cable*.
3. Connect the *Power Extension Cable* to the *Fan Power Adapter 12 V input*.
4. Connect each channel of the LED driver to the input connectors of the *Fan Power Adapter* using *M8 cables*.

5. Connect the LED light source to the *Fan Power Adapter* using M8 cables.
6. Connect the 12 V power supply to the wall plug.
7. Ensure the power key and the interlock (green) connectors are properly set in place.
8. Switch ON the LED driver.

2.2 Notes & Special Features

- When using the Fan Power Adapter for retro-compatibility with LEDC1 series products, the LED driver will display **Unplugged**. This will not prevent LEDs from working properly.
- If the Fan Power Adapter is not connected to the 12 V power supply, a safety feature will stop all LEDs to avoid overheating.

2.3 Specifications

Table 2.1: *General Specifications*

SPECIFICATIONS	VALUE	NOTES
Power Supply	110-240 VAC; 50-60 Hz	Power supply adapter included
DC Power Supply	12 VDC	-
Dimensions	97.6 x 52.3 x 20.8 mm ³	-

Table 2.2: *Environmental Specifications*

DESCRIPTION	OPERATION	STORAGE
Use	Indoor	-
Temperature	0-40 ° C	0-40 ° C
Humidity	10-80% RH, non condensing	10-80% RH, non condensing
Altitude	2000 m	2000 m

3.1 Maintenance

The product does not require any maintenance. Do not open the enclosure. Contact Doric Lenses for return instructions if the unit does not work properly and needs to be repaired.

3.2 Warranty

This product is under warranty for a period of 12 months. Contact Doric Lenses for return instructions. This warranty will not be applicable if the unit is damaged or needs to be repaired as a result of improper use or operation outside the conditions stated in this manual. For more information, see our [Website](#).

3.3 Contact us

For any questions or comments, do not hesitate to contact us by:

Phone 1-418-877-5600

Web doriclenses.com/contact

Email sales@doriclenses.com



© 2017 DORIC LENSES INC

357 rue Franquet - Quebec, (Quebec)
G1P 4N7, Canada

Phone: 1-418-877-5600 - Fax: 1-418-877-1008

www.doriclenses.com