

Section 1: Product and company information

Product identifier

Product name	Stencell Solo
Substance name	N/A
Reach No.	A registration number is not available for this substance as the substance or its uses are exempted from registration, the annual tonnage does not require a registration or the registration is envisaged for a later registration deadline

Relevant identified uses of the substances or mixture and uses advised against

Relevant Identified uses

Main use category	Laboratory use
Professional use spec	R&D use only
Identified used	Laboratory chemicals

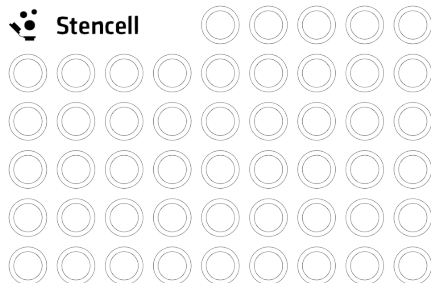
Details of the supplier of the safety data sheet

Company	Idylle 68 boulevard de Port-Royal 75005 Paris France
Technical phone	+33184172227
Email address	contact@idylle-labs.com

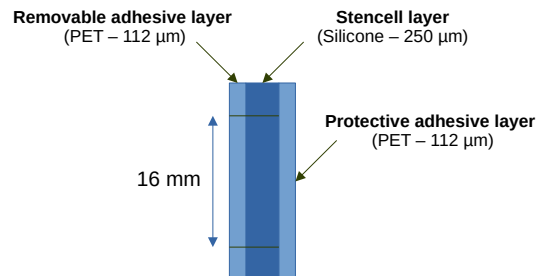
Emergency phone number

France	112
Other countries	ORFILA (INRS) : + 33 (0)1 45 42 59 59

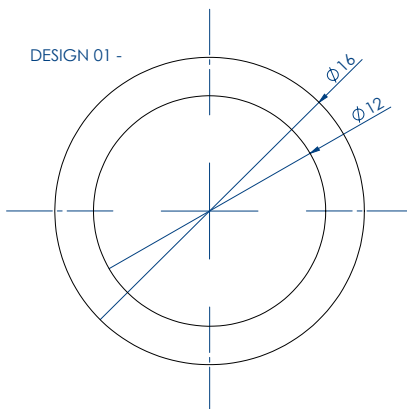
Section 2: Technical information



Overview of the sheet



Sectional view



Detailed view of the Stencell

- Dimensions of the sheet: 220 mm x 16 mm
- Number of units per sheets: 50
- Material of the layer of use: Silicone
- Thickness of the layer of use: 250 µm
- Material of the adhesive layers: PET
- Thickness of the adhesive layers: 112 µm
- Standard volume of use: 200 µL
- Maximal volume of use: 300 µL
- Minimal volume of use: 125 µL