

Section 1: Product and company information

Product identifier

Product name	Stampwell Larvae 2
Substance name	N/A
Reach No.	A registration number is not available for this substance as the substance or its uses are exempted from registration, the annual tonnage does not require a registration or the registration is envisaged for a later registration deadline

HTS Code 3926.90

Relevant identified uses of the substances or mixture and uses advised against

Relevant Identified uses

Main use category	Laboratory use
Professional use spec	R&D use only
Identified used	Laboratory chemicals

Details of the supplier of the safety data sheet

Company	Idylle 68 boulevard de Port-Royal 75005 Paris France
Technical phone	+33184172227
Email address	contact@idylle-labs.com

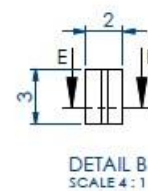
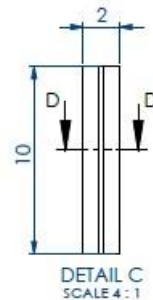
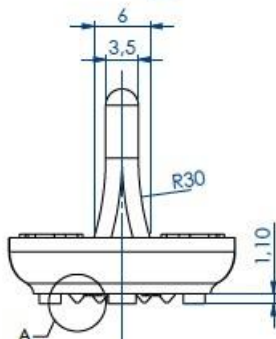
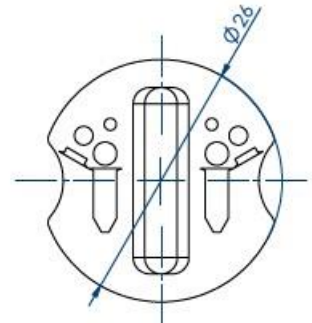
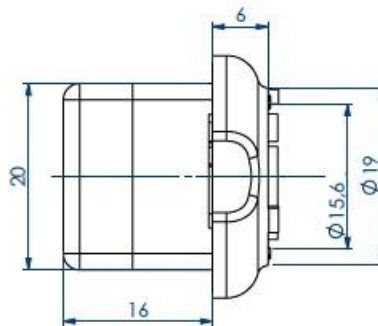
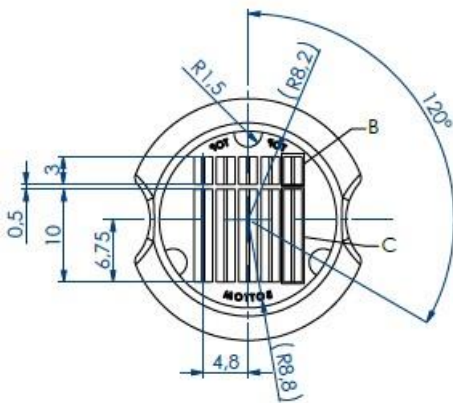
Emergency phone number

France	112
Other countries	ORFILA (INRS) : + 33 (0)1 45 42 59 59

Section 2: Technical information



- Shape of the wells: Triangular
- Material : PU
- Depth of the wells: 1 mm
- Dimensions of the base of the wells: 2 mm
- Dimensions of the end of the wells: 0.3 mm



DÉTAIL A
SCALE 10 : 1

