

Section 1: Product and company information

Product identifier

Product name	Stampwell V shape 300 µm
Substance name	N/A
Reach No.	A registration number is not available for this substance as the substance or its uses are exempted from registration, the annual tonnage does not require a registration or the registration is envisaged for a later registration deadline

HTS Code 3926.90

Relevant identified uses of the substances or mixture and uses advised against

Relevant Identified uses

Main use category	Laboratory use
Professional use spec	R&D use only
Identified used	Laboratory chemicals

Details of the supplier of the safety data sheet

Company	Idylle 68 boulevard de Port-Royal 75005 Paris France
Technical phone	+33184172227
Email address	contact@idylle-labs.com

Emergency phone number

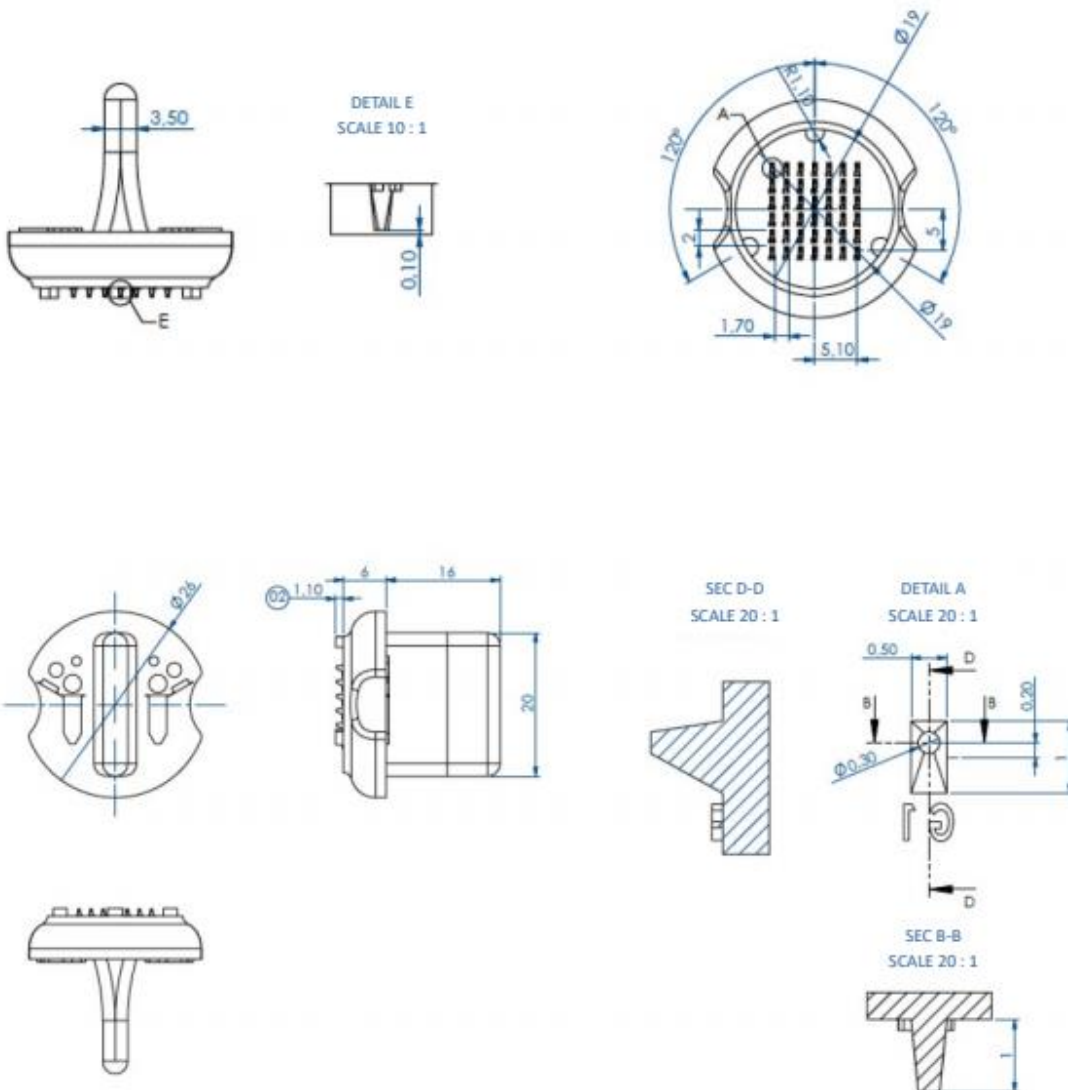
France	112
Other countries	ORFILA (INRS) : + 33 (0)1 45 42 59 59

Section 2: Technical information

According to Regulation (EC) No. 1907/2006(REACH) with its amendment Regulation (EC) No. 453/2010-830/2015



- Shape of the wells: V-shape
- Material: PU
- Depth of the well: 1 mm
- Dimensions of the base of the wells: 1 mm x 0.50 mm
- Dimensions of the end of the wells: \varnothing 0.30 mm



Section 1: Product and company information

Product identifier

Product name	Stampwell V shape 500 µm
Substance name	N/A
Reach No.	A registration number is not available for this substance as the substance or its uses are exempted from registration, the annual tonnage does not require a registration or the registration is envisaged for a later registration deadline

HTS Code 3926.90

Relevant identified uses of the substances or mixture and uses advised against

Relevant Identified uses

Main use category	Laboratory use
Professional use spec	R&D use only
Identified used	Laboratory chemicals

Details of the supplier of the safety data sheet

Company	Idylle 68 boulevard de Port-Royal 75005 Paris France
Technical phone	+33184172227
Email address	contact@idylle-labs.com

Emergency phone number

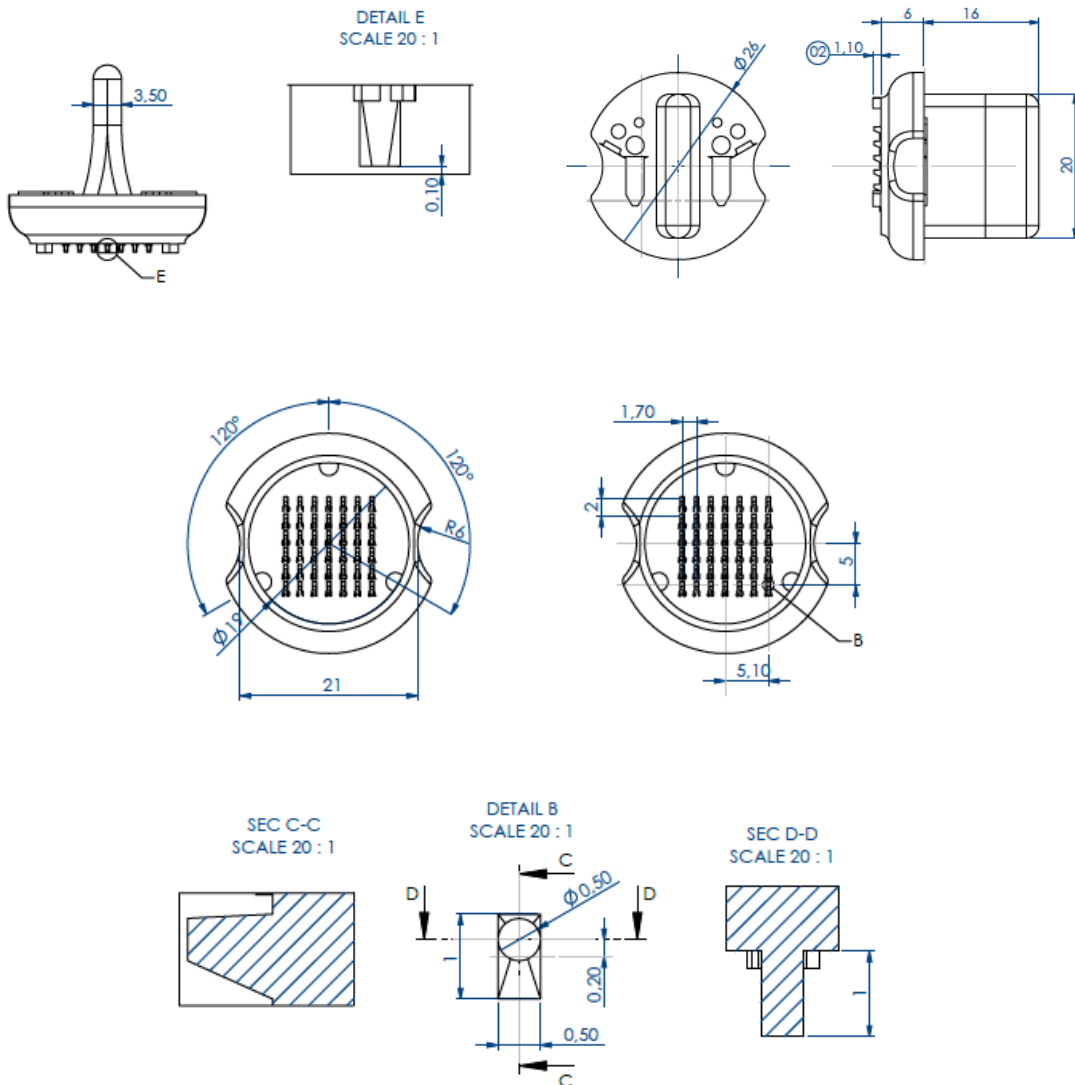
France	112
Other countries	ORFILA (INRS) : + 33 (0)1 45 42 59 59

Section 2: Technical information

According to Regulation (EC) No. 1907/2006(REACH) with its amendment Regulation (EC) No. 453/2010-830/2015



- Shape of the wells: V-shape
- Material: PU
- Depth of the well: 1 mm
- Dimensions of the base of the wells: 1 mm x 0.50 mm
- Dimensions of the end of the wells: \varnothing 0.50 mm



Section 1: Product and company information

Product identifier

Product name	Stampwell U Shape
Substance name	N/A
Reach No.	A registration number is not available for this substance as the substance or its uses are exempted from registration, the annual tonnage does not require a registration or the registration is envisaged for a later registration deadline

HTS Code 3926.90

Relevant identified uses of the substances or mixture and uses advised against

Relevant Identified uses

Main use category	Laboratory use
Professional use spec	R&D use only
Identified used	Laboratory chemicals

Details of the supplier of the safety data sheet

Company	Idylle 68 boulevard de Port-Royal 75005 Paris France
Technical phone	+33184172227
Email address	contact@idylle-labs.com

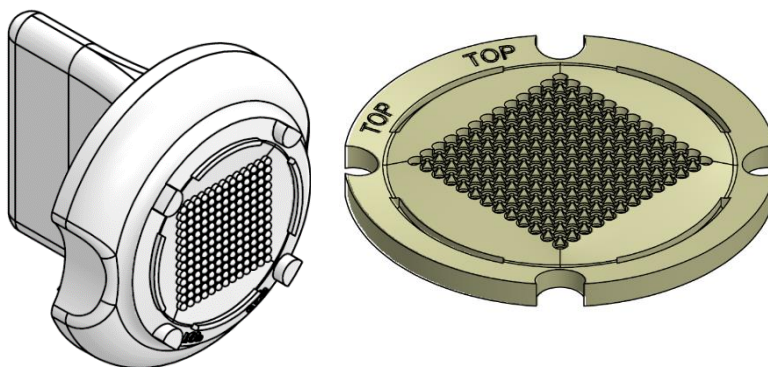
Emergency phone number

France	112
Other countries	ORFILA (INRS) : + 33 (0)1 45 42 59 59

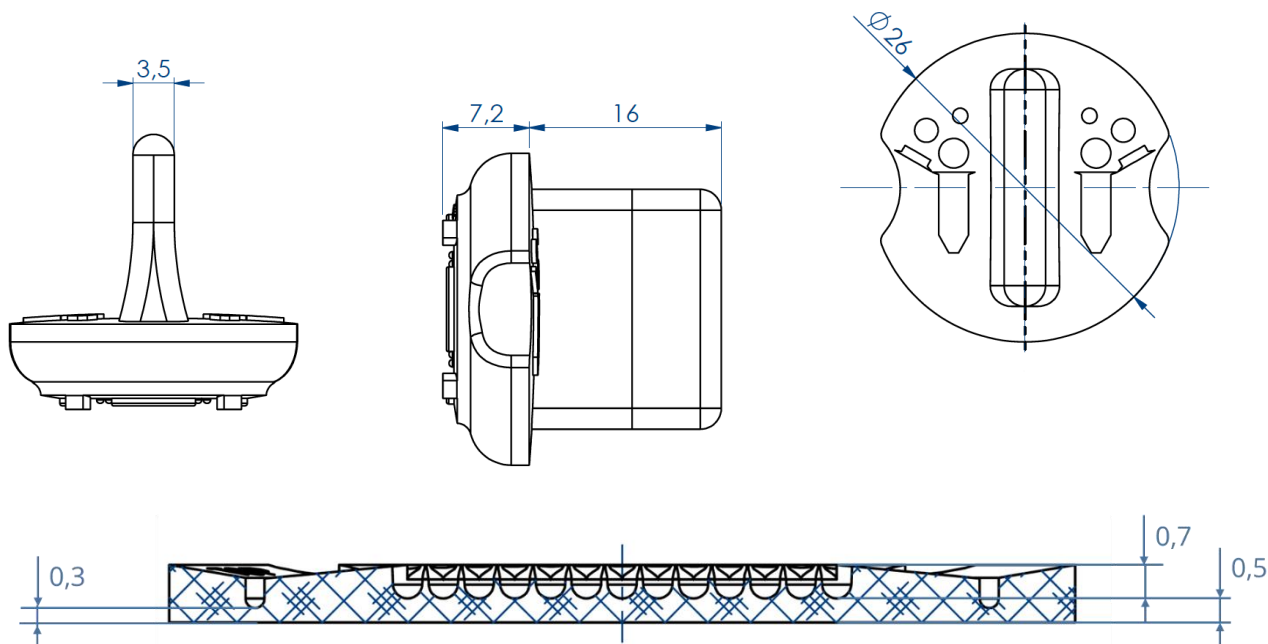
Section 2: Technical information

Product description

- Shape of the wells: U-bottom
- Material: PU
- Depth of the wells: 0.7 mm
- Number of wells: 169



Specifications



Shipping and storage

- Shipping: **Stampwell** is shipped at room temperature.
- Storage: **Stampwell** can be stored indefinitely at room temperature. It shouldn't be stored for more than 1 day at a temperature below -20 °C or above 100 °C.

Section 1: Product and company information

Product identifier

Product name	Stampwell Rectangular
Substance name	N/A
Reach No.	A registration number is not available for this substance as the substance or its uses are exempted from registration, the annual tonnage does not require a registration or the registration is envisaged for a later registration deadline

HTS Code 3926.90

Relevant identified uses of the substances or mixture and uses advised against

Relevant Identified uses

Main use category	Laboratory use
Professional use spec	R&D use only
Identified used	Laboratory chemicals

Details of the supplier of the safety data sheet

Company	Idylle 68 boulevard de Port-Royal 75005 Paris France
Technical phone	+33184172227
Email address	contact@idylle-labs.com

Emergency phone number

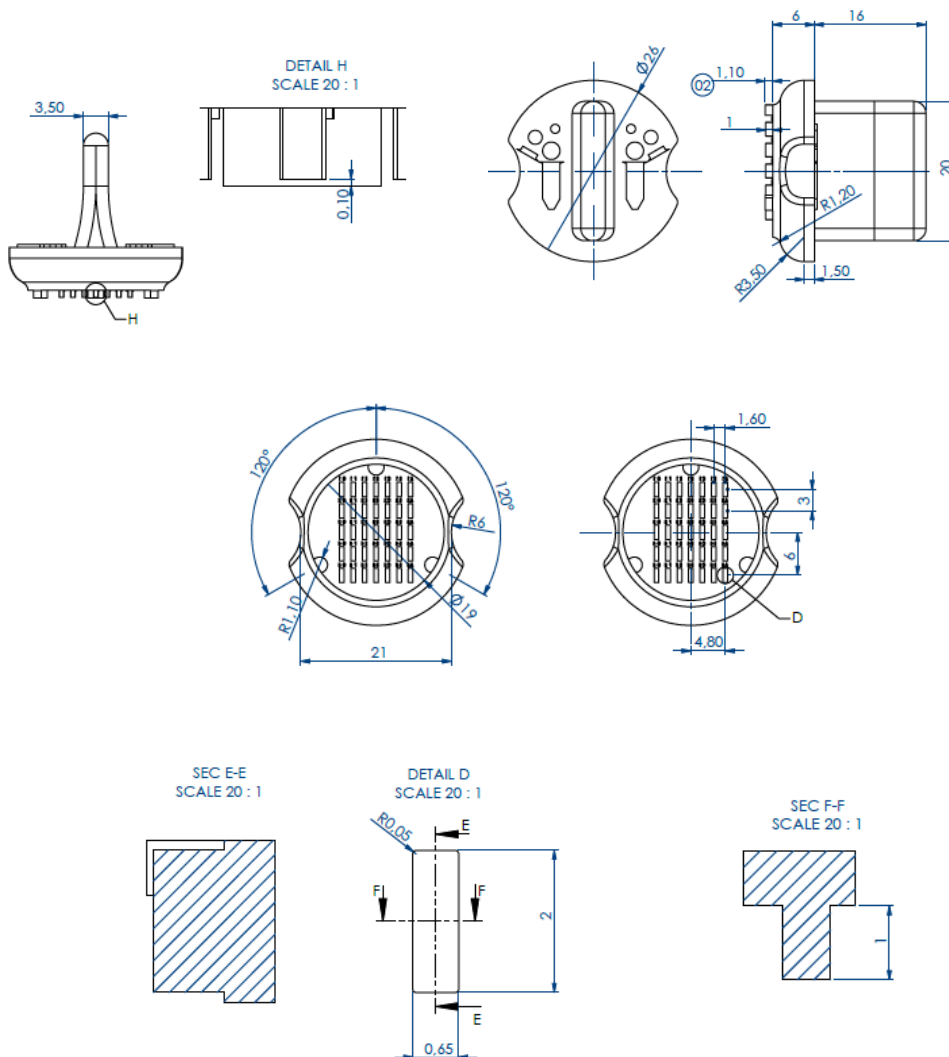
France	112
Other countries	ORFILA (INRS) : + 33 (0)1 45 42 59 59

Section 2: Technical information

According to Regulation (EC) No. 1907/2006(REACH) with its amendment Regulation (EC) No. 453/2010-830/2015



- Shape of the wells: Rectangular
- Material: PU
- Depth of the well: 1 mm
- Dimensions of the base of the wells: 2 mm x 0.65 mm
- Dimensions of the end of the wells: 2 mm x 0.65 mm



NB: A variation of ± 0.1 mm can be observed on the longitudinal length of the well