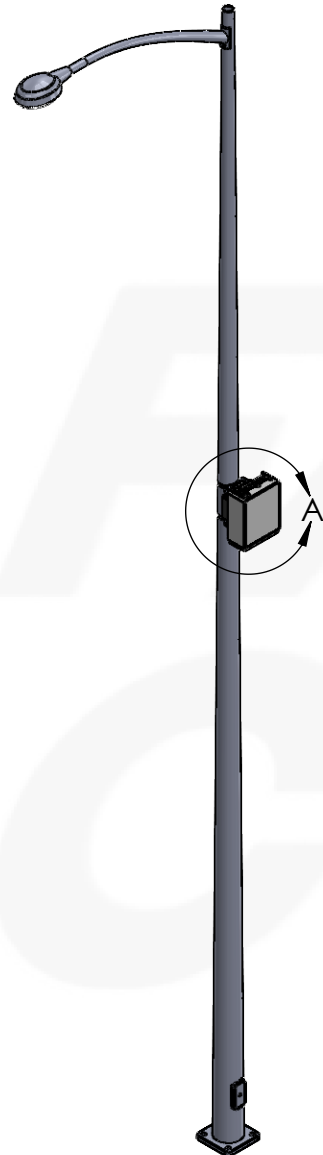


UNIVERSAL RADIO MOUNT

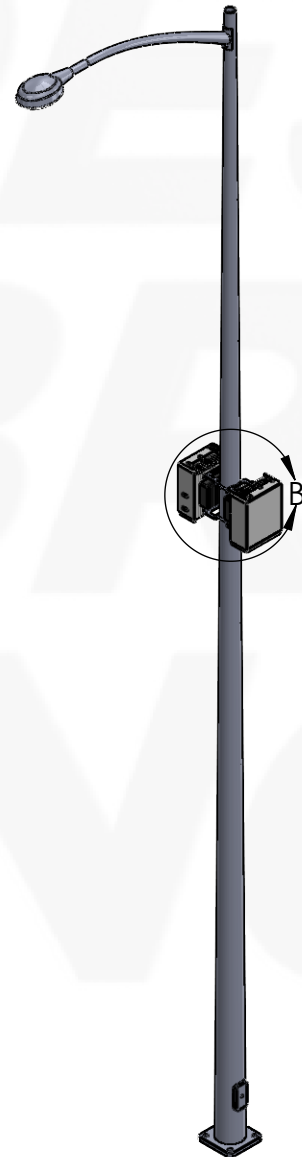
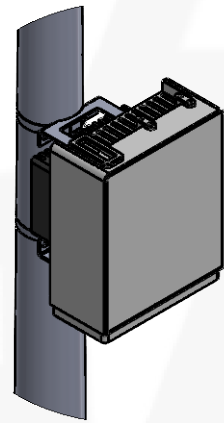
SINGLE RADIO ASSEMBLY

DUAL RADIO ASSEMBLY

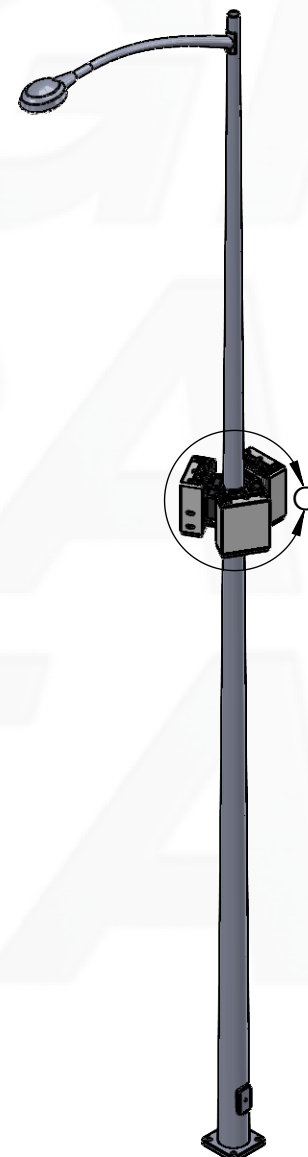
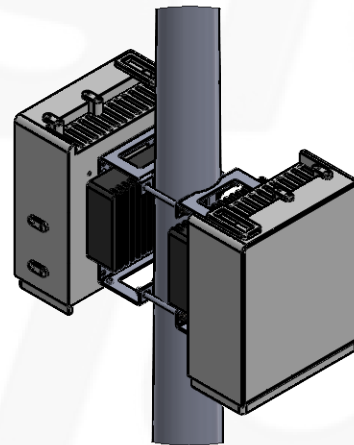
TRI RADIO ASSEMBLY



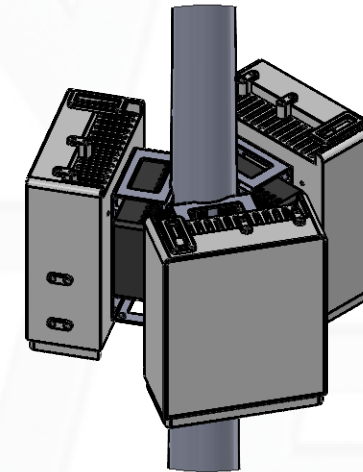
DETAIL A
SCALE 1 : 15



DETAIL B
SCALE 1 : 15



DETAIL C
SCALE 1 : 15



STAMP



UNLESS OTHERWISE SPECIFIED:

DIMENSIONS ARE INCHES
TOLERANCES:
FRACTIONAL ±
ANGULAR: MACH ±
BEND ±
TWO PLACE DECIMAL ±.010
THREE PLACE DECIMAL ±.005

MATERIAL:
FINISH:

PROPRIETARY AND CONFIDENTIAL

THE INFORMATION CONTAINED IN THIS DRAWING IS THE SOLE PROPERTY OF ELECTRIC TECH CONSTRUCTION, INC. ANY REPRODUCTION IN PART OR AS A WHOLE WITHOUT THE WRITTEN PERMISSION OF ELECTRIC TECH CONSTRUCTION, INC. IS PROHIBITED.

APPROVALS & DATES

NOT FOR CONSTRUCTION UNLESS LABELED AS CONSTRUCTION SET

SITE NUMBER

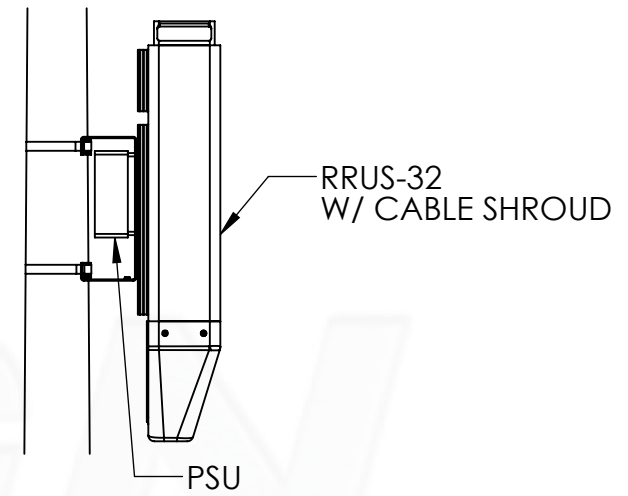
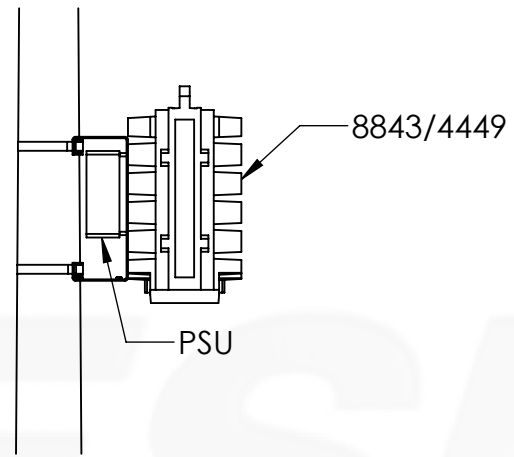
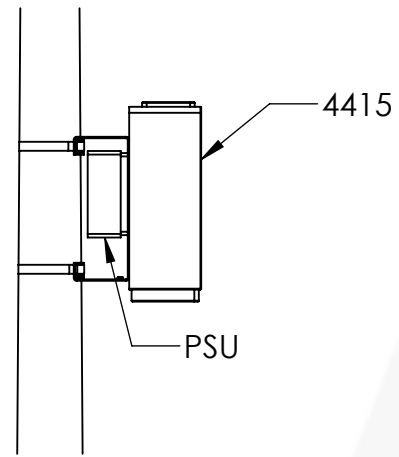
SITE NAME

PRODUCT ID #
UNIVERSAL RADIO MOUNT

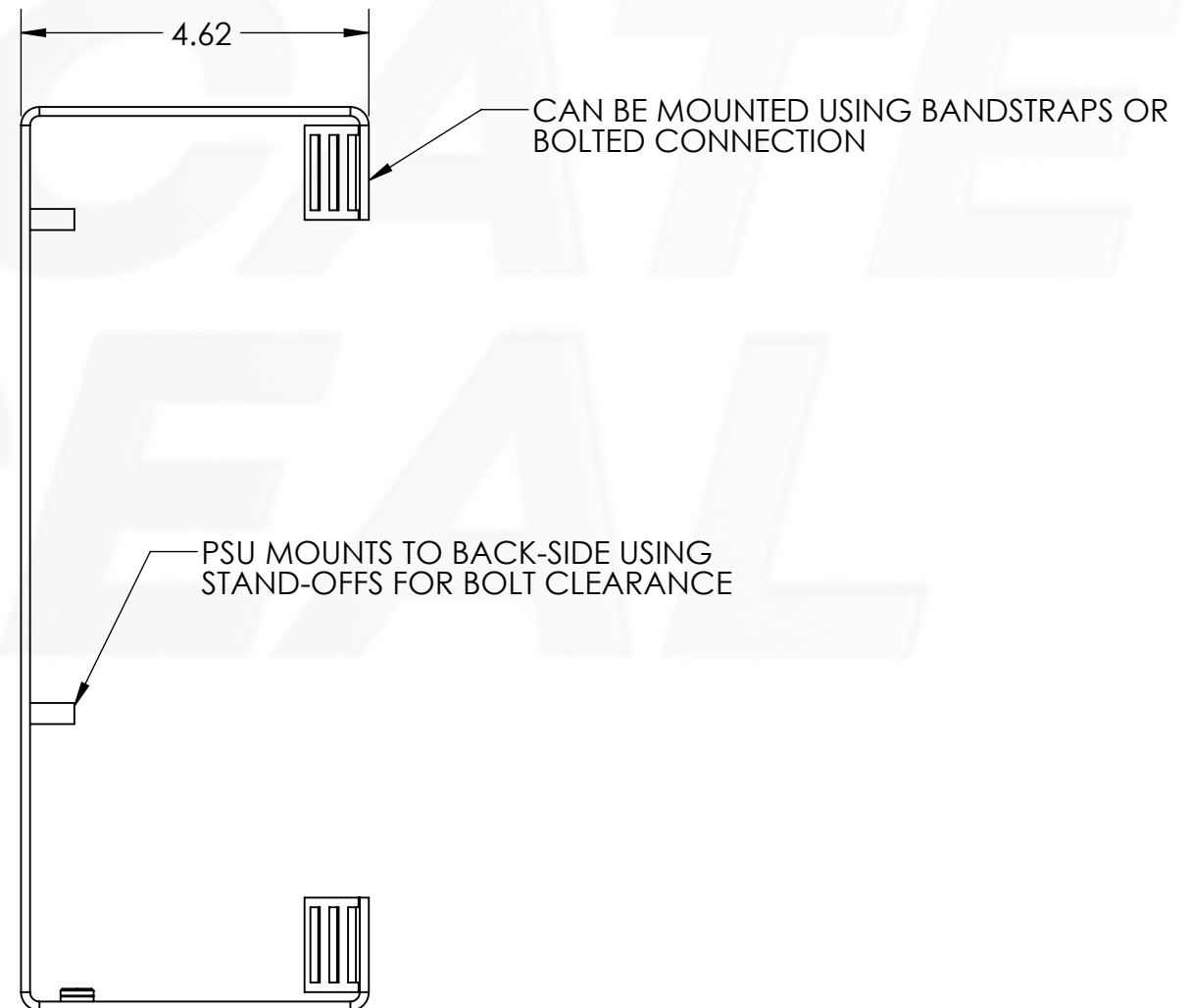
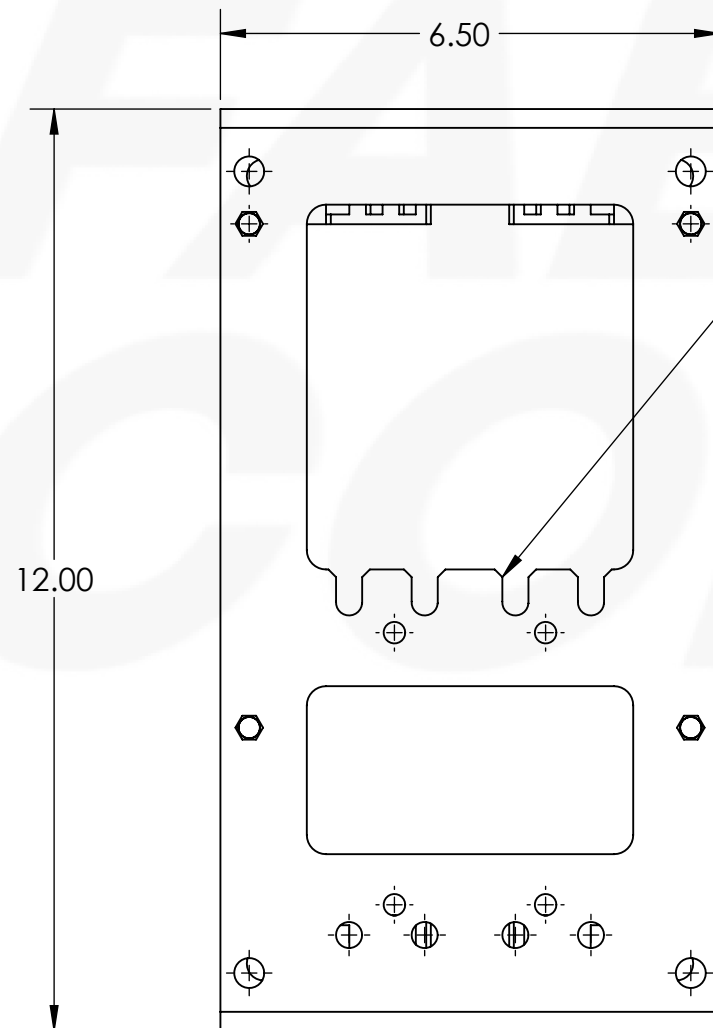
REV	A
-----	---

PRODUCT DESCRIPTION

MOUNTABLE RADIOS



MOUNT DETAILS



STAMP



UNLESS OTHERWISE SPECIFIED:

DIMENSIONS ARE INCHES
 TOLERANCES:
 FRACTIONAL ±
 ANGULAR: MACH ±
 BEND ±
 TWO PLACE DECIMAL ±.010
 THREE PLACE DECIMAL ±.005

MATERIAL:
 FINISH:

PROPRIETARY AND CONFIDENTIAL

THE INFORMATION CONTAINED IN THIS DRAWING IS THE SOLE PROPERTY OF ELECTRIC TECH CONSTRUCTION, INC. ANY REPRODUCTION IN PART OR AS A WHOLE WITHOUT THE WRITTEN PERMISSION OF ELECTRIC TECH CONSTRUCTION, INC. IS PROHIBITED.

APPROVALS & DATES

NOT FOR CONSTRUCTION UNLESS LABELED AS CONSTRUCTION SET

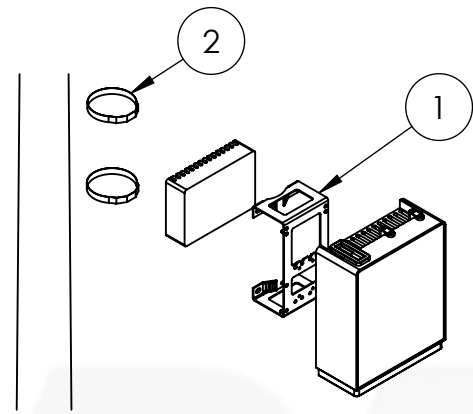
SITE NUMBER

SITE NAME

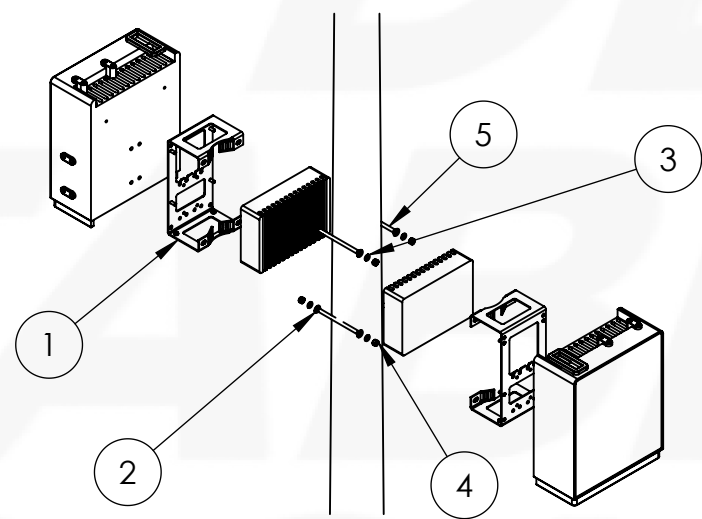
PRODUCT ID #
 UNIVERSAL RADIO MOUNT

REV | A

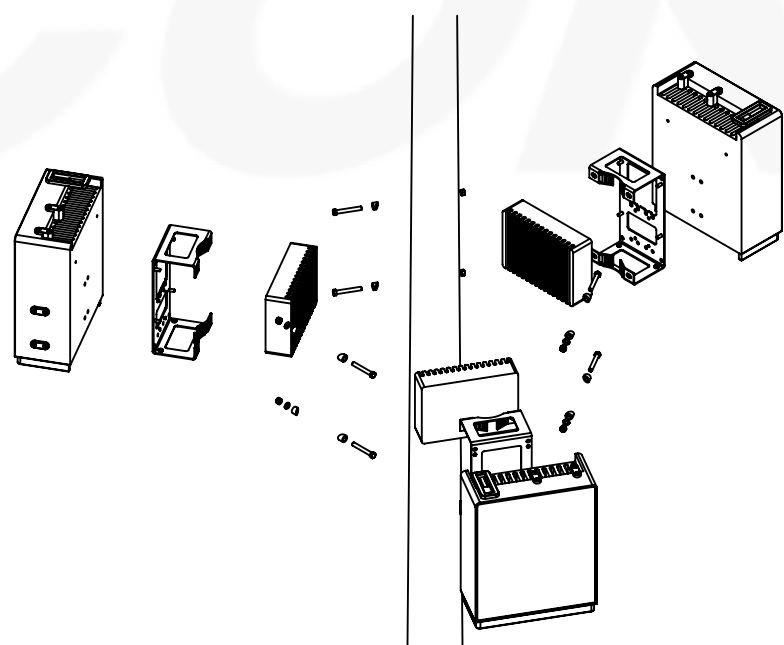
PRODUCT DESCRIPTION



ITEM NO.	PART NUMBER	QTY.
1	UNIVERSAL RADIO MOUNT	1
2	3/4" BANDSTRAP	2



ITEM NO.	PART NUMBER	QTY.
1	UNIVERSAL RADIO MOUNT	2
2	FW 0.375	8
3	LW 0.375	8
4	HNUT 0.3750	8
5	ALL THREAD 0.3750	4



ITEM NO.	PART NUMBER	QTY.
1	UNIVERSAL RADIO MOUNT	3
2	30 DEGREE WASHER	12
3	HBOLT 0.3750-16x2.75x1-N	6
4	Regular LW 0.375	6
5	HNUT 0.3750-16-D-N	6

STAMP



UNLESS OTHERWISE SPECIFIED:
 DIMENSIONS ARE INCHES
 TOLERANCES:
 FRACTIONAL ±
 ANGULAR: MACH ±
 BEND ±
 TWO PLACE DECIMAL ±.010
 THREE PLACE DECIMAL ±.005
 MATERIAL:
 FINISH:

PROPRIETARY AND CONFIDENTIAL
 THE INFORMATION CONTAINED IN THIS DRAWING IS THE SOLE PROPERTY OF ELECTRIC TECH CONSTRUCTION, INC. ANY REPRODUCTION IN PART OR AS A WHOLE WITHOUT THE WRITTEN PERMISSION OF ELECTRIC TECH CONSTRUCTION, INC. IS PROHIBITED.

APPROVALS & DATES

NOT FOR CONSTRUCTION UNLESS LABELED AS CONSTRUCTION SET

SITE NUMBER

SITE NAME

PRODUCT ID #
 UNIVERSAL RADIO MOUNT

REV | A

PRODUCT DESCRIPTION