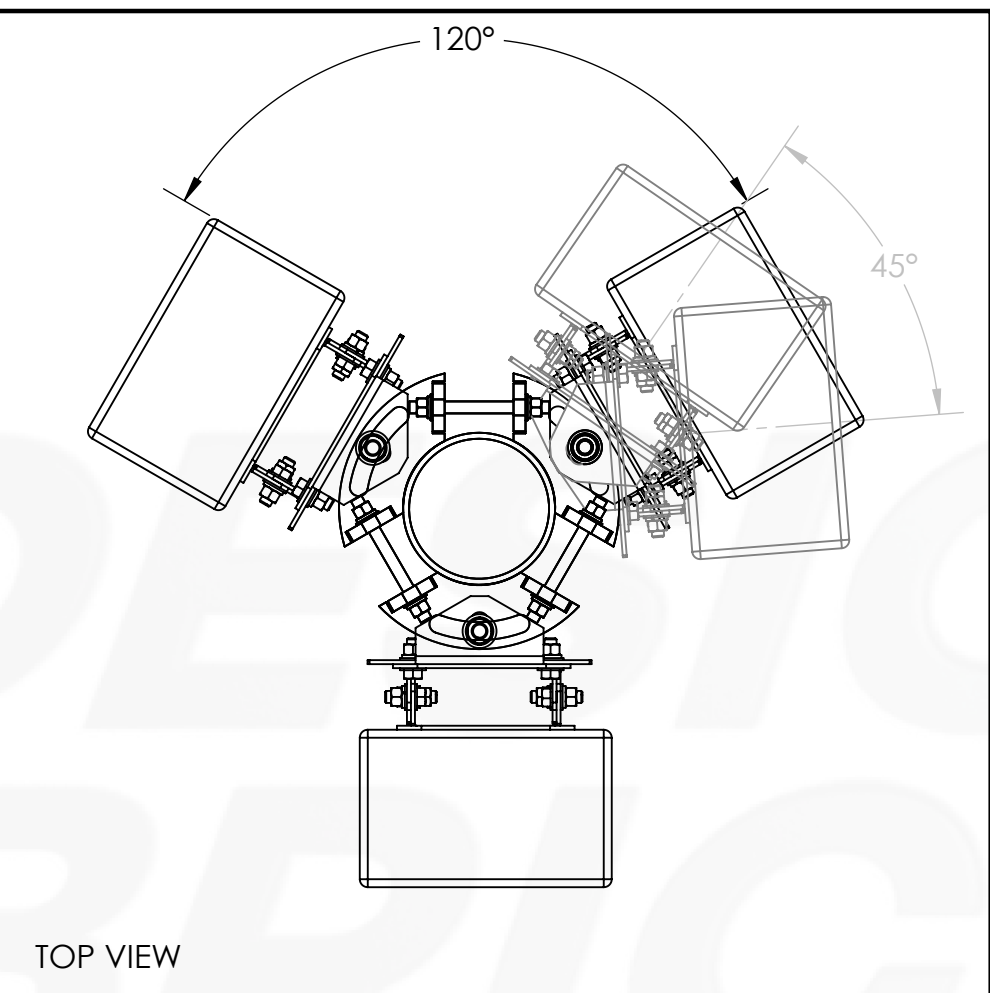
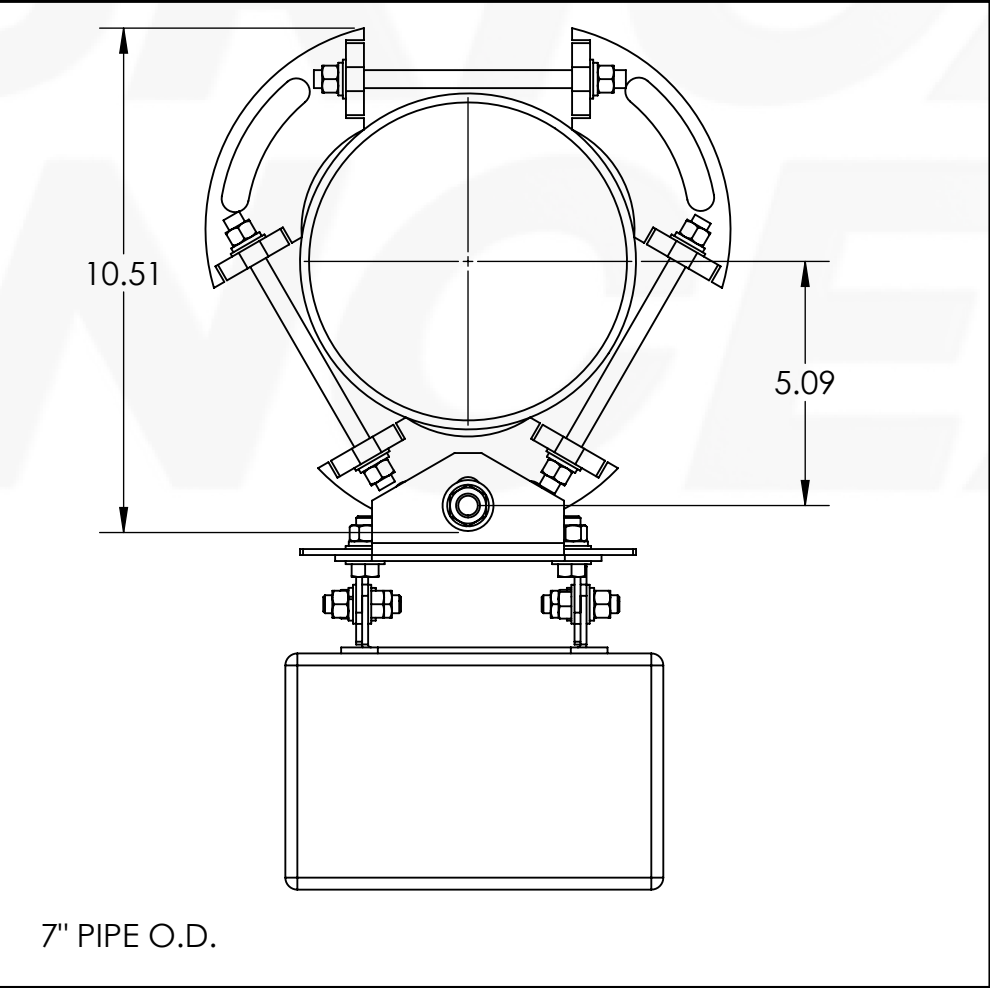


ANTENNA MOUNT

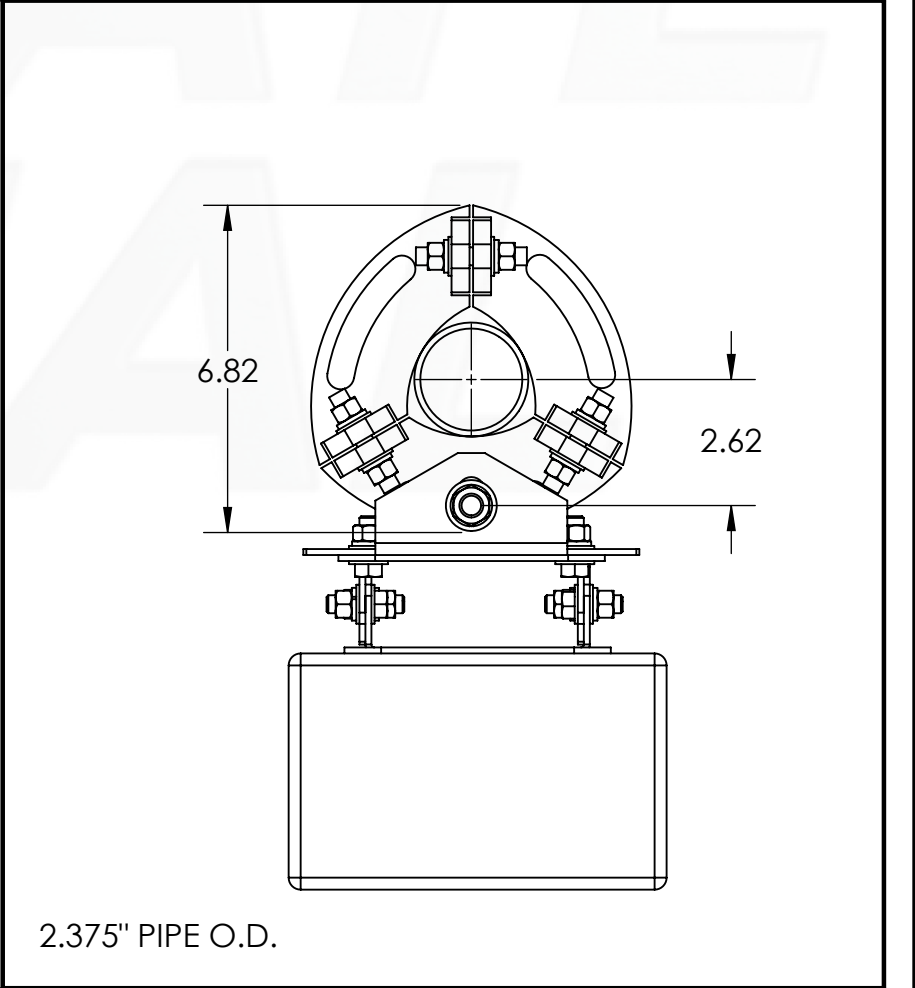


TOP VIEW



7" PIPE O.D.

| ITEM NO. | PART NUMBER                | QTY. |
|----------|----------------------------|------|
| 1        | TRI-MOUNT COLLAR           | 6    |
| 2        | AZMIUTH ADAPTER            | 6    |
| 3        | Preferred Narrow FW 0.5    | 12   |
| 4        | Preferred Narrow FW 0.375  | 48   |
| 5        | Regular LW 0.5             | 6    |
| 6        | Regular LW 0.375           | 36   |
| 7        | HNUT 0.5000-13-D-N         | 6    |
| 8        | HNUT 0.3750-16-D-N         | 36   |
| 9        | HBOLT 0.5000-13x1.5x1.25-N | 6    |
| 10       | HBOLT 0.3750-16x1x1-N      | 12   |
| 11       | ALL THREAD 4.375L          | 12   |



2.375" PIPE O.D.

**STAMP**

**UNLESS OTHERWISE SPECIFIED:**  
 DIMENSIONS ARE INCHES  
 TOLERANCES:  
 FRACTIONAL ±  
 ANGULAR: MACH ±  
 BEND ±  
 TWO PLACE DECIMAL ±.010  
 THREE PLACE DECIMAL ±.005

MATERIAL:  
 FINISH:

**PROPRIETARY AND CONFIDENTIAL**

THE INFORMATION CONTAINED IN THIS DRAWING IS THE SOLE PROPERTY OF ELECTRIC TECH CONSTRUCTION, INC. ANY REPRODUCTION IN PART OR AS A WHOLE WITHOUT THE WRITTEN PERMISSION OF ELECTRIC TECH CONSTRUCTION, INC. IS PROHIBITED.

**APPROVALS & DATES**

NOT FOR CONSTRUCTION UNLESS LABELED AS CONSTRUCTION SET

**SITE NUMBER**

**SITE NAME**

**PRODUCT ID #**  
 TRI-MOUNT 2.375-7

|     |   |
|-----|---|
| REV | A |
|-----|---|

**PRODUCT DESCRIPTION**

SHEET 1