



WIRELESS SITE  
**SOLUTIONS**

2021

“

**Formerly known as the The FRP Guy, I now set my sights on all things small cell and anything attached to a public utility pole.**



Working from the epicenter of technology gives us first-hand knowledge of what some of the most challenging communities want to see on their public utilities. We have been mocking up telecom sites for these municipalities for many years now.


With years of experience in technology and product development, Tom Borst had the chance of collaborating with several engineering groups across the nation. Through these experiences he has had the excitement of learning first-hand how product development is done in numerous fabrication facilities throughout the country and has comprised a system for technology and product development which enables the adoption of solutions in an innovative, timely and efficient fashion.

With proficiency in preliminary design and extensive design phases to enhance your product attempts with new and ingenious ideas. Detailed design transforms concept alternatives, design specifications, and technical requirements into final design definitions.

The designs are then polished further, and all supplemental paperwork needed for fabrication is finished for the prompt delivery of a totally polished and finished product to the client.

Without the prior phase of preliminary design, however, all these end products would not materialize. Even malfunctions during preliminary design stages need to be considered in the extensive design phase as well. Hence, it is vital that both design concepts join forces from the same facility. The change from preliminary design to extensive design is precious and must be controlled efficiently during the design stage for best results.

*Thomas H. Borst*



<b>Company Overview</b>	<b>4</b>
<b>Top Pole Solutions</b>	<b>5</b>
<b>Side Pole Solutions</b>	<b>19</b>
<b>Miscellaneous Solutions</b>	<b>32</b>
<b>Contact</b>	<b>37</b>

**DFConceal manufactures concealment products that are standardized and ready-to-go, quickly delivered wherever needed, fast and easy install.**

## OUR MISSION

With the industry shift to 5G and the exponential increase in sites needed, small cell concealment has become a major factor. DFCConceal offers inspired concealment solutions that have been designed with the installer and end user in mind.

Most of our concealment products are made with high performance plastics. DFCConceal manufactures concealment products that are standardized and ready-to-go (yet can be customized for certain city code specifications), quickly delivered wherever needed, fast and easy install. Importantly, the carriers will appreciate cost savings with the easy and efficient installs.

Our products “stand-out” by “blending in”.





# TOP POLE SOLUTIONS

With the industry shift to 5G and the exponential increase in sites needed, small cell concealment has become a major factor. Concealment is the process of screening, hiding, or “camouflaging” antennas, radios, and all other telecom equipment.

DF Conceal offers inspired concealment solutions that have been designed with the end user in mind. Most of our concealment products are made with Acrylonitrile butadiene styrene (ABS) or standard FRP fiberglass.

We like to think our products “stand-out” by “blending in.”





**10"W Pole Top Mount & Long Skirt**  
\$1,875.00



**10"W Pole Top Mount & Short Skirt**  
\$1,875.00



**10"W Pole Top Mount & Tapered Skirt**  
\$1,875.00



**Universal 15" Pole Top Mount  
4G ONLY**  
\$3,395.00



**Universal 15" Pole Top Mount  
4G 5G**  
\$3,395.00



**Universal 12" Pole Top Mount & Long Skirt  
(Antenna Exposed)**  
\$1,995.00



**Universal 14" Pole Top Mount & Long Skirt  
(Antenna Exposed)**  
\$2,095.00



**Universal 16" Pole Top Mount & Long Skirt  
(Antenna Exposed)**  
\$2,195.00



**Universal Mount with  
Wood Pole Mounting  
Brackets**  
\$995.00



**Universal Single Arm  
Antenna Mount**

\$995.00



**Wood Pole Mount with  
6' Bayonet & Antenna  
Mount**

\$2,995.00



**PT10-R45-C14-UB-LS**



**PT10-R45**



**PT10-C14**



**PT10-UB**



**PT10-LS**

### Product Summary:

10" diameter pole top mounts are sold as a 4-part complete assembly with optional internal brackets for diplexers, meters, etc. Each assembly includes all stainless-steel hardware needed to mount to the pole and conceal the antenna. Designed to install on a wide variety of steel/wood poles. The outer concealment consists of a RF friendly radome to conceal the antenna and a two-piece clam-shell lower skirt to conceal the mounting base. The exterior of the concealment comes primer coated flat gray with UV protection.

SPECIFICATIONS		
Pole Diameter	3"-7"	
Material	A36 hot-rolled Steel & ABS Plastic	
PART DESCRIPTION	ATTACHMENT TYPE	FINISH
Radome (PT10-R45)	3/8" CS Stainless steel bolt	Primer Coat, Gray (UV Protectant)
Upper Cage (PT10-C14)	1/2"-13 Hex bolt	Powder Coat, Gray
Mounting Base (PT10-UB)	1/2"-13 Hex bolt	Powder Coat, Gray
Long Skirt (PT10-LS)	3/8" CS Stainless steel bolt	Primer Coat, Gray (UV Protectant)
Meter Mount (PT-MM-T) (Optional)	1/2"-13 Hex bolt	Powder Coat, Gray





**PT-R42-C14-FB-SS**



**PT10-R42**



**PT10-C14**



**PT10-FB**



**PT10-SS**

**Product Summary:**

10" diameter fluted pole top mount is sold as a 4-part complete assembly with optional internal brackets for diplexers, meters, etc. Designed to install on the fluted poles found in San Jose, CA, but will work for similar fluted poles. The concealment consists of an RF friendly radome to conceal the antenna and a two-piece clam-shell lower skirt to conceal the mounting base. The exterior of the concealment comes primer coated flat gray with UV protection.

SPECIFICATIONS		
Pole Diameter	3"-5.25"	
Material	A36 hot-rolled Steel & ABS Plastic	
PART DESCRIPTION	ATTACHMENT TYPE	FINISH TYPE
Radome (PT10-R42)	3/8" CS Stainless steel bolt	Primer Coat, Gray (UV Protectant)
Upper Cage (PT-C14)	1/2"-13 Hex bolt	Powder Coat, Gray
Mounting Base (PT10-FB)	1/2"-13 Hex bolt	Powder Coat, Gray
Short Skirt (PT10-SS)	3/8" CS Stainless steel bolt	Primer Coat, Gray (UV Protectant)
Meter Mount (PT-MM-T) (Optional)	1/2"-13 Hex bolt	Powder Coat, Gray



**PT10-R45-C14-UB-TS**



**PT10-R45**



**PT10-C14**



**PT10-UB**



**PT10-TS**

### Product Summary:

Our 10" diameter pole top mounts are sold as a 4-part complete assembly with optional internal brackets for diplexers, meters, etc. Each assembly includes all stainless-steel hardware needed to mount to the pole and conceal the antenna. The exterior of the concealment comes primer coated flat gray with UV protection.

The Universal mount is designed to install on a wide variety of steel/wood poles and antennas. The outer concealment consists of a RF friendly radome to conceal the antenna and a two-piece clam-shell lower skirt to conceal the mounting base.

### SPECIFICATIONS

**Pole Diameter** 3"-7"

**Material** A36 hot-rolled Steel & ABS Plastic

PART DESCRIPTION	ATTACHMENT TYPE	FINISH TYPE
Radome (PT10-R45)	3/8" CS Stainless steel bolt	Primer Coat, Gray (UV Protectant)
Upper Cage (PT-C14)	1/2"-13 Hex bolt	Powder Coat, Gray
Mounting Base (PT10-UB)	1/2"-13 Hex bolt	Powder Coat, Gray
Tapered Skirt (PT10-TS)	3/8" CS Stainless steel bolt	Primer Coat, Gray (UV Protectant)
Meter Mount (PT-MM-T) (Optional)	1/2"-13 Hex bolt	Powder Coat, Gray



**PT15-R65-C14-UB-LS**



**PT15-R65**



**PT15-C14**



**PT15-UB**



**PT15-LS**

### Product Summary:

15" pole top mount for 4G antennas. Base mount is designed to secure assembly to pole diameters 3"-11". Upper cage holds omni-antenna with additional mounting locations for a meter and diplexers. All components are encased by a 65" ABS radome with matching ABS lower skirt. (4G and 5G pole top with model number PT-15-4G-5G available).

### SPECIFICATIONS

<b>Pole Diameter</b>	3"-11"	
<b>Material</b>	A36 hot-rolled Steel & ABS Plastic	
<b>PART DESCRIPTION</b>	<b>ATTACHMENT TYPE</b>	<b>FINISH</b>
<b>Radome (PT15-R65)</b>	1/4"-20 Pan Head S.S. bolts	Primer Coat, Gray (UV Protectant)
<b>Upper Cage (PT15-C14)</b>	1/2"-13 Hex bolt	Powder Coat, Gray
<b>Mounting Base (PT15-UB)</b>	1/2"-13 Hex bolt	Powder Coat, Gray
<b>Long Skirt (PT15-LS)</b>	1/4"-20 C.S. S.S. & 3/8" C.S. S.S. bolts	Primer Coat, Gray (UV Protectant)
<b>Short Meter Mount (optional)</b>	1/4"-20 Pan Head S.S. bolts	Powder Coat, Gray
<b>Diplexer (optional)</b>	1/4"-20 Pan Head S.S. bolts	Powder Coat, Gray



**PT15-5GR65-C5G-C14-UB-LS**



**PT15-5GR65**



**PT15-C14**



**PT15-C5G**



**PT15-UB**

### Product Summary:

15" pole top designed for both 4G and 5G antennas. Base mount is designed to secure assembly to pole diameters 3"-11". Where the cut-outs are located it holds two 6701 4G/5G radio antenna combos. Upper cage for omni-antenna. Two additional mounting locations for a meter and diplexers are contained within the cage. All components are encased by a 65" ABS radome with matching ABS lower skirt. (4G only pole top available, part number PT-15-4G).

### SPECIFICATIONS

<b>Pole Diameter</b>	3"-11"	
<b>Material</b>	A36 hot-rolled Steel & ABS Plastic	
<b>PART DESCRIPTION</b>	<b>ATTACHMENT TYPE</b>	<b>FINISH</b>
<b>Radome (PT15-5GR65)</b>	¼"-20 Pan Head S.S. bolts	Primer Coat, Gray (UV Protectant)
<b>Upper Cage (PT15-C14)</b>	½"-13 Hex bolt	Powder Coat, Gray
<b>Center Mount (PT15-C5G)</b>	½"-13 Hex bolt	Powder Coat, Gray
<b>Mounting Base (PT15-UB)</b>	½"-13 Hex bolt	Powder Coat, Gray
<b>Long Skirt (PT-SL-15)</b>	¼"-20 C.S. S.S. & 3/8" C.S. S.S. bolts	Primer Coat, Gray (UV Protectant)
<b>Short Meter Mount (optional)</b>	¼"-20 Pan Head S.S. bolts	Powder Coat, Gray
<b>Diplexer (optional)</b>	¼"-20 Pan Head S.S. bolts	No Finish



**PT12-C14-UB-LSX**



**PT12-C14-UB-LSX**



**PT12-C14**



**PT12-UB**



**PT12-LSX**

### Product Summary:

Our 12" wide (outside dimension) pole top mounts are sold as a 3-part complete assembly and a couple miscellaneous items included if needed. Our Universal mounting base securely mounts from 3" to 9" wide poles. Our Universal 14 3/4"H upper cage works with most antennas, (optional upper drop-in star available for 1" center mount antennas).

Our Patent Pending Universal mount is designed to install on a wide variety of steel/wood poles and antennas. The pole top mount is designed to support a 12" wide cylindrical antenna. The outer two-piece clam-shell lower skirt is designed to conceal the mounting base. This pole top mount is also available with optional interior meter mount.

### SPECIFICATIONS

Pole Diameter	3"-9"	
Material	A36 hot-rolled Steel & ABS Plastic	
PART DESCRIPTION	ATTACHMENT TYPE	FINISH TYPE
Upper Cage (PT12-C14)	1/2"-13 Hex bolt	Powder Coat, Gray
Mounting Base (PT12-UB)	1/2"-13 Hex bolt	Powder Coat, Gray
Long Skirt (PT12-LSX)	3/8" CS Stainless steel bolt	Primer Coat, Gray



**PT14-C14-UB-LSX**



**PT14-C14-UB-LSX**



**PT14-C14**



**PT14-UB**



**PT14-LSX**

**Product Summary:**

Our 14" wide (outside dimension) pole top mounts are sold as a 3-part complete assembly and a couple miscellaneous items included if needed. Our Universal mounting base securely mounts from 3" to 11" wide poles. Our Universal 14 3/4"H upper cage works with most antennas, (optional upper drop-in star available for 1" center mount antennas).

Our Patent Pending Universal mount is designed to install on a wide variety of steel/wood poles and antennas. The pole top mount is designed to support a 14" wide cylindrical antenna. The outer two-piece clam-shell lower skirt is designed to conceal the mounting base. This pole top mount is also available with optional interior meter mount.

**SPECIFICATIONS**

<b>Pole Diameter</b>	3"-11"
<b>Material</b>	A36 hot-rolled Steel & ABS Plastic

<b>PART DESCRIPTION</b>	<b>ATTACHMENT TYPE</b>	<b>FINISH TYPE</b>
<b>Upper Cage (PT14-C14)</b>	1/2"-13 Hex bolt	Powder Coat, Gray
<b>Mounting Base (PT14-UB)</b>	1/2"-13 Hex bolt	Powder Coat, Gray
<b>Long Skirt (PT14-LSX)</b>	3/8" CS Stainless steel bolt	Primer Coat, Gray



**PT16-C14-UB-LSX**



**PT16-C14-UB-LSX**



**PT16-C14**



**PT16-UB**



**PT16-LSX**

### Product Summary:

Our 16" wide (outside dimension) pole top mounts are sold as a 3-part complete assembly and a couple miscellaneous items included if needed. Our Universal mounting base securely mounts from 3" to 11" wide poles. Our Universal 14 ¾"H upper cage works with most antennas, (optional upper drop-in star available for 1" center mount antennas). Our Patent Pending Universal mount is designed to install on a wide variety of steel/wood poles and antennas. The pole top mount is designed to support a 16" wide cylindrical antenna. The outer two-piece clam-shell lower skirt is designed to conceal the mounting base. This pole top mount is also available with optional interior meter mount.

### SPECIFICATIONS

Pole Diameter	3"-11"	
Material	A36 hot-rolled Steel & ABS Plastic	
PART DESCRIPTION	ATTACHMENT TYPE	FINISH TYPE
Upper Cage (PT16-C14)	½"-13 Hex bolt	Powder Coat, Gray
Mounting Base (PT16-UB)	½"-13 Hex bolt	Powder Coat, Gray
Long Skirt (PT16-LSX)	3/8" CS Stainless steel bolt	Primer Coat, Gray (UV Protectant)



**PT10-C14-UBW**



**PT10-C14**



**PT10-UBW**



**SIDE**



**TOP**

### Product Summary:

Universal wood pole antenna mount fits round wood poles 3"-7". It uses any of our standard 10" diameter upper cages and is compatible with our ABS radomes. Antenna mount attaches with through bolts that go through attachment bracket and the wood pole. Diplexer and other accessory mounts available for cage interior.

### SPECIFICATIONS

Pole Diameter	3"-7"
Material	A36 Steel

### PART DESCRIPTION

### ATTACHMENT TYPE

### FINISH TYPE

PART DESCRIPTION	ATTACHMENT TYPE	FINISH TYPE
Upper Cage (PT10-C14)	1/2"-13 S.S Hex Bolt	Powder Coat, Brown (UV Protectant)
Wood Pole Universal Base(PT10-UBW)	5/8" All Thread	Powder Coat, Brown (UV Protectant)





**WP-SA-AM**



**FRONT**



**BACK**



**TOP**



**SIDE**

### Product Summary:

Universal Single Arm Antenna mount attaches to pole with 3 band straps or through-bolt 5/8" threaded rod wood poles. Ability to flip-flop adapter allowing use of multiple antennas. Attachment points for radome come standard. A secondary attachment for lower skirt is available.

### SPECIFICATIONS

<b>Pole Attachment</b>	3"+	
<b>Material</b>	A36 Steel	
<b>PART DESCRIPTION</b>	<b>ATTACHMENT TYPE</b>	<b>FINISH TYPE</b>
<b>Pole Mount</b>	¾" S.S Band Strap or 5/8" Threaded Rod	Powder Coat, Gray (UV Protection)
<b>Antenna Arms</b>	1"-8 S.S. Hex Bolt and Nut	Powder Coat, Gray (UV Protection)
<b>Radome Attachment</b>	1"-8 S.S. Hex Bolt and Nut	Powder Coat, Gray (UV Protection)



**PT10-B72-C14-BB**



**PT10-C14**



**PT10-BB**



**TOP**



**SIDE**

### Product Summary:

6" x 6" wood bayonet adapter to mount to existing pole. 6" x 6" x 6' bayonet wood riser. Uses our standard 10" upper antenna cage that provides mounting location for 10" radome.

### SPECIFICATIONS

Pole Diameter	N/A	
Material	A36 Steel & wood	
PART DESCRIPTION	ATTACHMENT TYPE	FINISH TYPE
Bayonet Adaptor (#WP-AD)	3/4" Threaded Rod (Galvanized)	Powder Coat, Brown (UV Protectant)
6"x6"x6' wood riser(#WP-RS)	N/A	N/A
Utility Grade Wood Pole Mount(PT10-BB)	5/8" Bolt (Galvanized)	Powder Coat, Brown (UV Protectant)
Upper Antenna Cage(PT10-C14)	1/2"-13 S.S Hex Bolt	Powder Coat, Brown (UV Protectant)



# SIDE POLE SOLUTIONS

Here at DF Conceal we have spent the time to reach out to real-world installers and ask them what would make radio install easier? Utilizing the feedback we receive enables us to create mounts that streamline the installation process as well as minimize the overall size or footprint of the equipment on the pole. This in turn has made our radio mounts and shrouds some of the quickest, easiest, and best looking on the market. Going further than just the sizing.

DF Conceal's Radio Shrouds have been designed to neatly conceal radio equipment and cabling. Much thought has been put into the thermal, RF and aesthetic factors required in the design. The end result is a well-ventilated and nearly RF transparent shroud that is also visually appealing. Our aesthetic is often geared toward simplicity as the goal is not to draw your eye to the shroud, but instead the shroud should disappear into the surrounding environment.





**5.5 Ft Radio Mount & Shroud**  
\$1,895.00



**11' x 6" Wood Pole Aluminum Sled Mount**  
\$2,495.00



**Side Arm Pole Mount**  
\$995.00



**Side Arm Pole Mount with Concealment**  
\$1,895.00



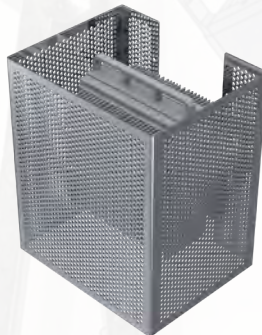
**RRUS-32 Plastic Cable Shroud (10" Height)**  
\$325.00



**6503 Shroud**  
\$295.00



**4415 Mount & Shroud**  
\$695.00



**8843/4449 Mount & Shroud**  
\$325.00



**2203 / 2205 Shroud**  
\$195.00



## 53" Macro Cabinet

\$2,495.00



**MS-55FT**



**FRONT**



**BACK**



**BOTTOM**



**SIDE**

### Product Summary:

5'6" Radio Mount with Shroud made from thermoformed ABS and stainless steel that can be installed on a wide variety of both steel and wood poles. The mount is designed to hold multiple radios, including, but not limited to, the RRUS-32, 44XX series, 8843, among other RF equipment, all concealed within an aesthetically pleasing outer shell with venting on bottom, back and top to maximize airflow and meet municipality concealment requirements.

### SPECIFICATIONS

Pole Diameter	N/A
Material	ABS Plastic

PART DESCRIPTION	ATTACHMENT TYPE	FINISH TYPE
ABS Shroud (SH-55FT)	1/4-20 Pan Head Stainless Steel	Primer Coat, Gray
Stainless Steel Mount (MT-55FT)	3/4" Stainless Steel Band Straps	No Finish



**WP-SM-11**



**FRONT**



**BACK**



**TOP**



**SIDE**

### Product Summary:

11' x 6" wood pole sled mount uses 3 standoff attachments to give a 9" spacing from the pole. The two vertical Unistrut rails provide easy installation and reconfiguration of all RF equipment needed. All galvanized hardware provided to mount sled to pole.

### SPECIFICATIONS

<b>Material</b>	6061 Aluminum and Plain Carbon Steel	
<b>PART DESCRIPTION</b>	<b>ATTACHMENT TYPE</b>	<b>FINISH TYPE</b>
<b>C-Channel Unistrut Sled (#WP-SM-11-CH)</b>	3/4"-10 x 24" Carriage bolt Galvanized	Powder Coat, Brown
<b>(3) 9" standoff tubes (#WP-SM-SO)</b>	3/4"-10 x 24" Carriage bolt Galvanized	Powder Coat, Brown



**PS-SA-48H-36L**



**FRONT**



**ISOMETRIC**



**LEFT SIDE**



**RIGHT SIDE**

### Product Summary:

Side Arm Pole Mount consists of a 2" x 4" pipe with a standoff arm 36" from the pole. It has a load capacity of up to 250 lbs supporting a wide range of antennas models up to 48". Mounting hardware kits are included with 3/4" x 2' hot dipped galvanized (HDG) all thread rod sized for all utility poles.

### SPECIFICATIONS

Pole Diameter	5"+
Material	A36 Steel, A500 Steel, Schedule 40 Steel

### PART DESCRIPTION

### ATTACHMENT TYPE

### FINISH TYPE

Side Arm Pole Mount (PS-SA-48H-36L)	3/4" x 2' hot dipped galvanized (HDG) all thread rod Or 3/4" Band Strap	Powder Coat, Gray or Brown
-------------------------------------	--	----------------------------





**PS-SA-14H-45L**



**PS-SA-AS**



**PS-SA-RA**



**PT15-R45**



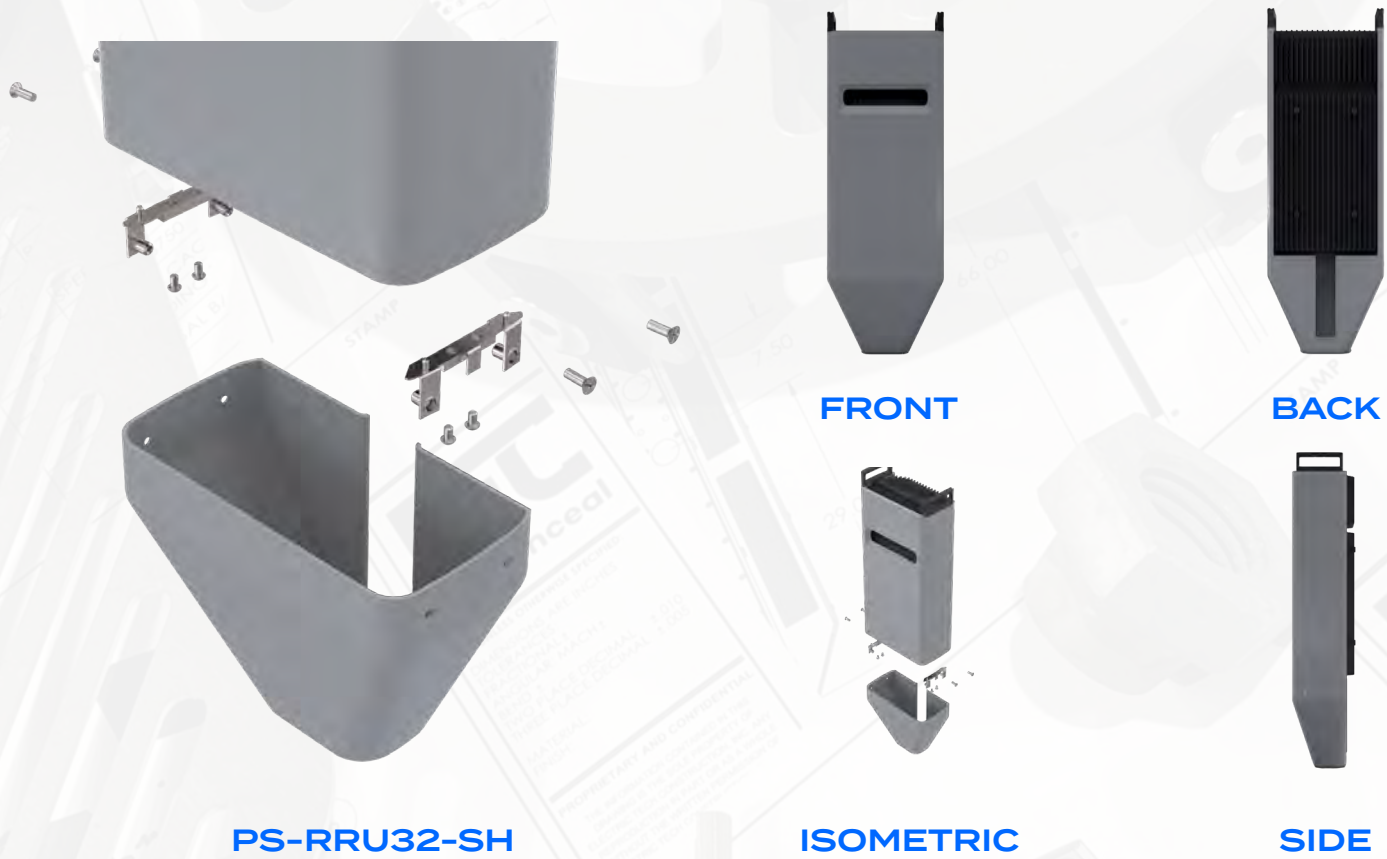
**NO CONCEALMENT**

### Product Summary:

Our Side Arm Pole Mount with Concealment can be attached to both wood and steel poles. Paired with our Antenna Sleeve it provides a stand-off mounting location for omni-antennas. The standoff arm has a load capacity of up to 250 lbs supporting a wide range of antenna models. All of the RF equipment is concealed by an ABS radome. Mounting hardware kits are included with 3/4" x 18" hot dipped galvanized (HDG) all thread rod sized for all utility poles along with all required nuts and washers.

### SPECIFICATIONS

Pole Diameter	5"+	
Material	A36 Steel, A500 Steel, Schedule 40 Steel	
PART DESCRIPTION	ATTACHMENT TYPE	FINISH TYPE
Side Arm Pole Mount (PS-SA-14H-45L)	3/4" x 2' hot dipped galvanized (HDG) all thread rod Or 3/4" Band Strap	Powder Coat, Gray or Brown
Antenna Sleeve (PS-SA-AS)	3/8" Square Head Cup-point Set Bolt	Powder Coat, Gray or Brown
Radome Attachment (PS-SA-RA)		Powder Coat, Gray or Brown
Radome (PT15-R45)	3/8" Counter-sunk S.S. Bolt	Primer Coat, Gray



### Product Summary:

RRUS-32 cable shroud is thermoformed ABS plastic. The shroud mounts directly to the Ericsson RRUS-32 by removing the lower handles and using the included mounting hardware to replace them.

### SPECIFICATIONS

Pole Diameter	N/A	
Material	ABS Plastic	
PART DESCRIPTION	ATTACHMENT TYPE	FINISH TYPE
ABS Shroud (PS-RRU32-SH)	1/4-20 Pan Head Stainless Steel Bolt	Primer Coat, Gray (UV Protectant)



**PS-6503-SH**



**FRONT**



**BACK**



**TOP**



**SIDE**

### Product Summary:

ABS thermoformed shroud for the 6503 radio. The shroud mounts directly to the dual support unit chassis for quick installation and conceals both the radio equipment and jumper cables. The exterior comes ready for paint, primer coated flat gray with UV protection. All stainless-steel hardware is provided.

### SPECIFICATIONS

Pole Diameter	N/A	
Material	ABS Plastic	
PART DESCRIPTION	ATTACHMENT TYPE	FINISH TYPE
6503 Shroud (PS-6503-SH)	M6 Pan Head Stainless Steel Bolt	Primer Coat, Gray



**PS-4415-MT-SH**



**FRONT**



**BACK**



**BOTTOM**



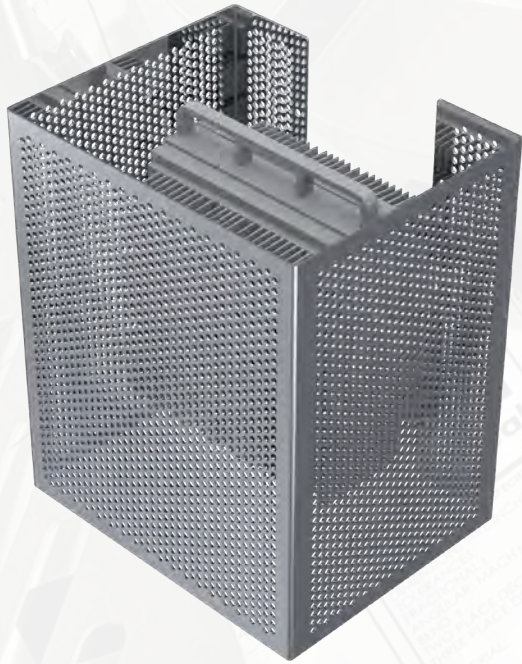
**SIDE**

### Product Summary:

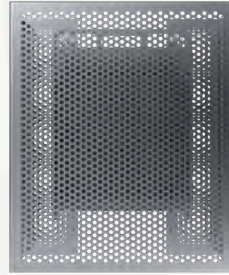
444X Series Radio Mount with Shroud is designed to install on a wide variety of steel poles and wood pole sleds. The mount is designed to hold a radio on the front and a power supply unit on the back. All concealed within an aesthetically pleasing outer shell with venting on bottom, back and open top to maximize airflow and meet city ordinance concealment requirements. Additional space to accommodate (Optional) Fan Unit and four spacer plugs to the back of the radio if needed.

### SPECIFICATIONS

Pole Diameter	N/A	
Material	ABS Plastic & Stainless Steel	
PART DESCRIPTION	ATTACHMENT TYPE	FINISH TYPE
ABS Shroud (SH-4415)	1/4-20 Counter Sunk Stainless Steel Bolt	Primer Coat, Gray
Radio Mount (MT-4415)	3/4" Band Strap	No Finish
Vent Bottom (VT-4415)	1/4-20 Pan Head Stainless Steel Bolt	No Finish



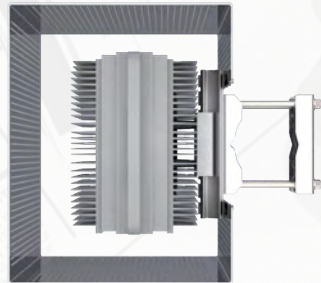
**SH-8843**



**FRONT**



**BACK**



**TOP**



**SIDE**

**Product Summary:**

8843 or 4449 shroud manufactured of perforated anodized aluminum with 60% open area to maximize airflow and minimize overheating of radio equipment. The 24" height meets CA code to conceal equipment. Attaches directly to the Ericsson provided mount and is designed to be removable allowing maintenance personnel easy access to the equipment. All stainless steel hardware is provided.

**SPECIFICATIONS**

Pole Diameter	N/A	
Material	5052 Aluminum	
<b>PART DESCRIPTION</b>	<b>ATTACHMENT TYPE</b>	<b>FINISH TYPE</b>
8843 Shroud (#SH-8843)	M8x1.5 S.S. Hex Bolt	No Finish



**SH-2203**



**FRONT**



**BACK**



**TOP**



**SIDE**

### Product Summary:

ABS thermoformed shroud for either 2203 or 2205 radios. Shroud mounts directly to radio chassis for quick installation and conceals both the radio and jumper cables.

The exterior comes primer coated flat gray. All stainless-steel hardware is provided with shroud.

### SPECIFICATIONS

Pole Diameter	N/A	
Material	ABS Plastic	
PART DESCRIPTION	ATTACHMENT TYPE	FINISH TYPE
2203/2205 shroud (SH-2203)	M6 Pan Head Stainless Steel Bolt	Primer Coat, Gray



**MC-CAB**



**FRONT**



**BACK**



**TOP**



**SIDE**

### Product Summary:

Overall dimension of 53"H x 23"W x 16"D. Inside there is back-to-back mounting locations for various radios and power supply units along with two diplexer mounts and an optional bracket for a 2203 or 2205 radio. Shroud is manufactured from perforated aluminum allowing max airflow to minimize overheating. The shroud is designed to be removable allowing maintenance personnel easy access to the equipment. All hardware is provided.

### SPECIFICATIONS

<b>Pole Diameter</b>	N/A	
<b>Material</b>	A36 Hot-Rolled Steel, Stainless Steel, and 5052 Aluminum	
<b>PART DESCRIPTION</b>	<b>ATTACHMENT TYPE</b>	<b>FINISH TYPE</b>
Shroud (MC-53)	¼"-20 S.S. Pan Head Bolt	No Finish or Powder Coat, Brown
Spine (MC-SP)	3/8" S.S. Hex bolt	Powder Coat, Brown or Gray
Radio Mounts (MC-RM)	3/8" S.S. Hex bolt & ¼"-20 S.S. Pan Head Bolt	No Finish
Right Angle 6503 Mount (RA-6503)	¼"-20 S.S. Pan Head Bolt	No Finish
Right Angle Diplexer (RA-DI)	¼"-20 S.S. Pan Head Bolt	No Finish
Double 45 Diplexer (D45-DI)	¼"-20 S.S. Pan Head Bolt	No Finish
Universal Radio Mount (UR-MT)	¾" S.S. Band Straps or 3/8" S.S. Threaded Rod	No Finish



# MISCELLANEOUS SOLUTIONS

When the true nature of a complex challenge is fully understood, DF Conceal product engineering provides elegant, inexpensive solutions.

At DF Conceal, we engineer time-saving simplicity into our products that save all involved big money. Our Collar Nuts, with the certified install, is the latest DF Conceal product engineered to reduce construction time and lower the cost of the carriers small cell build-out projects.





**4 Collar Nuts + Labor  
for Light Pole Anchor  
Plate Connection**  
\$2,495.00



**Universal Radio Mount**  
\$195.00



**Meter Mount Disconnect**  
\$359.00



**Tri-Antenna Mount**  
\$299.00



**UR-MT**



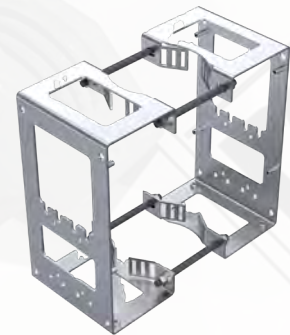
**RRUS-32**



**8843/44XX**



**44XX**



**DOUBLE MOUNT**

**Product Summary:**

The Universal Radio Mount can be mounted in single, double or triple radio configurations with all hardware needed for easy installation on just about any pole. The four standoff posts provide easy PSU installation concealed behind the radio. It can be installed with 3/4" stainless steel band straps or 3/8" threaded rod.

**SPECIFICATIONS**

<b>Pole Diameter</b>	5" pole max with threaded rod, N/A for band straps	
<b>Material</b>	Stainless Steel	
<b>PART DESCRIPTION</b>	<b>ATTACHMENT TYPE</b>	<b>FINISH TYPE</b>
<b>Universal Radio Mount (#UR-MT)</b>	3/4" S.S. Band Straps or 3/8" S.S. Threaded Rod	No Finish



PS-DSC240F-MM-MT



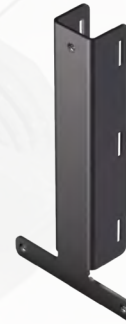
FRONT



BACK



SIDE



PS-DSC-MT

**Product Summary:**

Eaton disconnect with top mount for a PG&E Smart Meter. Available in 120V and 240V as well as fused and non-fusible. HDPE strap can be latched to help prevent meter theft. Stainless steel mount provided allows for easy, clean, and weather-proof install using 3 stainless steel band straps to attach to the pole and 3 1/4-20 Pan Head Bolts to mount the disconnect. Uses a standard 3-Pin Receptacle for Smart Meter. Smart Meter is not included.

**SPECIFICATIONS**

Pole Diameter	N/A
Material	Stainless Steel

PART DESCRIPTION	ATTACHMENT TYPE	FINISH TYPE
Meter Mount Disconnect (PS-DSC240F-MM-MT)	1/4-20 S.S. Pan Head Bolt	
Disconnect Mount (PS-DSC-MT)	3/4" S.S. Band Strap	No Finish
120V Fusible Disconnect w/ Meter (PS-DSC120F-MM-MT)	1/4-20 S.S. Pan Head Bolt	
240V Fusible Disconnect w/ Meter (PS-DSC240F-MM-MT)	1/4-20 S.S. Pan Head Bolt	
120V Non-Fusible Disconnect w/ Meter (PS-DSC120N-MM-MT)	1/4-20 S.S. Pan Head Bolt	
240V Fusible Disconnect w/ Meter (PS-DSC240N-MM-MT)	1/4-20 S.S. Pan Head Bolt	



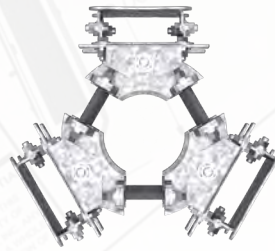
MT-3A



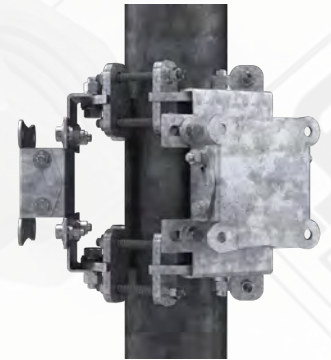
FRONT



BACK



TOP



SIDE

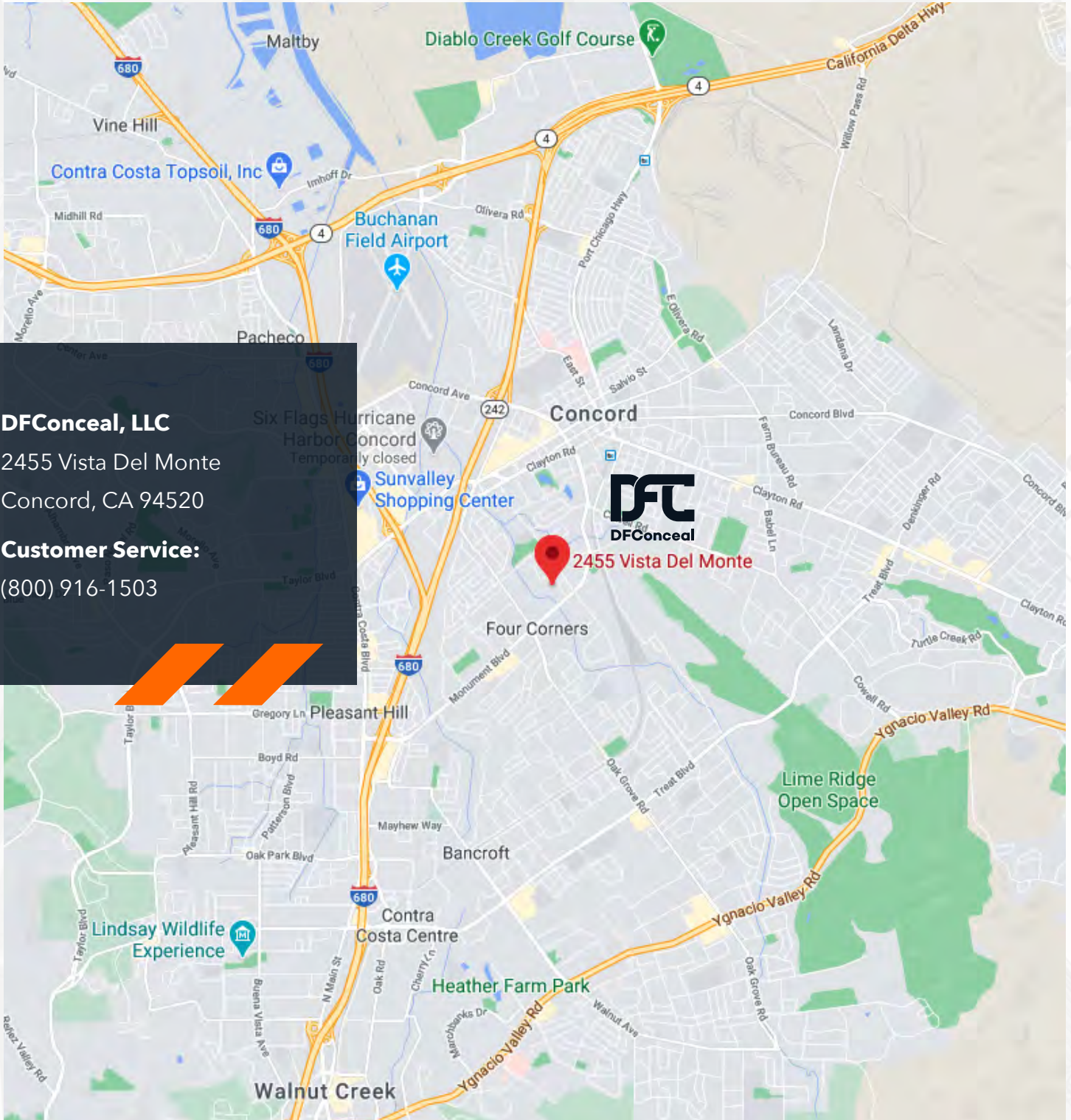
**Product Summary:**

Tri antenna pole mount holds three antennas in a 120-degree pattern. Mount has both down tilt and azimuth capabilities of up to 20-degrees when used with the Ericsson provided adapter (pictured). Mount and all hardware come in a galvanized finish.

SPECIFICATIONS		
Pole Diameter	2.375"-7"	
Material	A36 Steel	
PART DESCRIPTION	ATTACHMENT TYPE	FINISH TYPE
Antenna Mount (MT-3A)	3/8", 1/2" Galvanized Bolts/ Washers/Nuts	Galvanized



# CONTACT DFCONCEAL



## DFCConceal, LLC

2455 Vista Del Monte  
Concord, CA 94520

## Customer Service:

(800) 916-1503



2455 Vista Del Monte