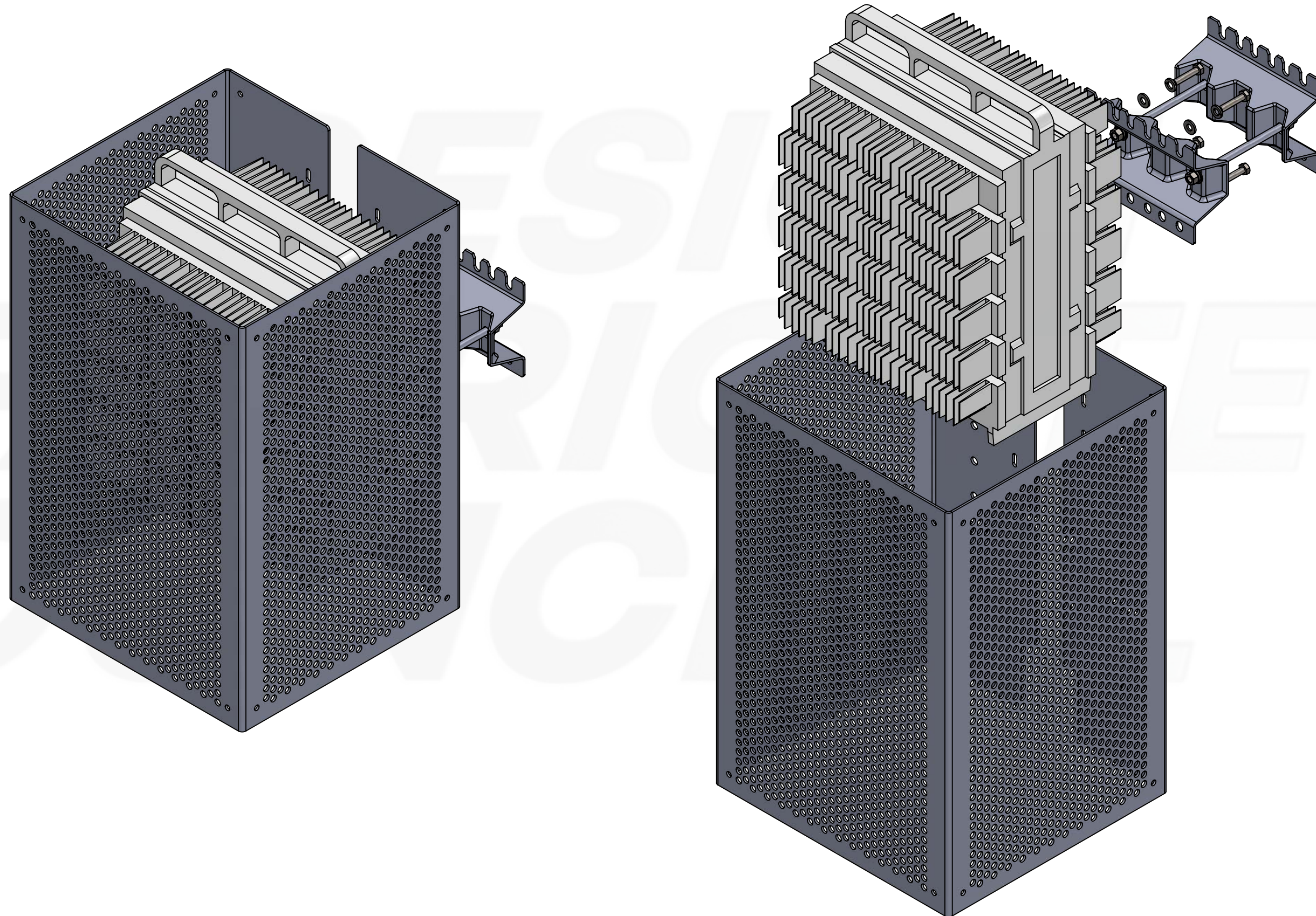


8843/4449/SAMSUNG CCX-MOP-30-002 PERFORATED ALUMINUM SHROUD



DFConceal

2455 VISTA DEL MONTE
CONCORD, CA 94520

www.DFConceal.com

PHONE: 800-916-1503

PROPRIETARY AND CONFIDENTIAL

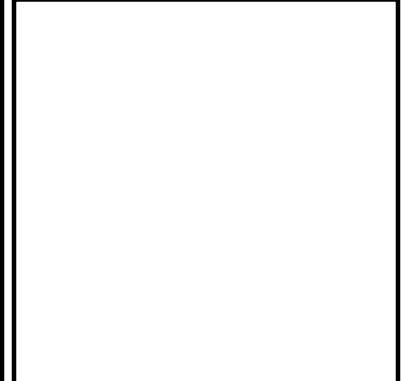
THE INFORMATION CONTAINED IN THIS DRAWING IS THE SOLE PROPERTY OF DFCONCEAL, INC. ANY REPRODUCTION IN PART OR AS A WHOLE WITHOUT THE WRITTEN PERMISSION OF DFCONCEAL, INC. IS PROHIBITED.

DATE: DESIGNED: DRAFTER:

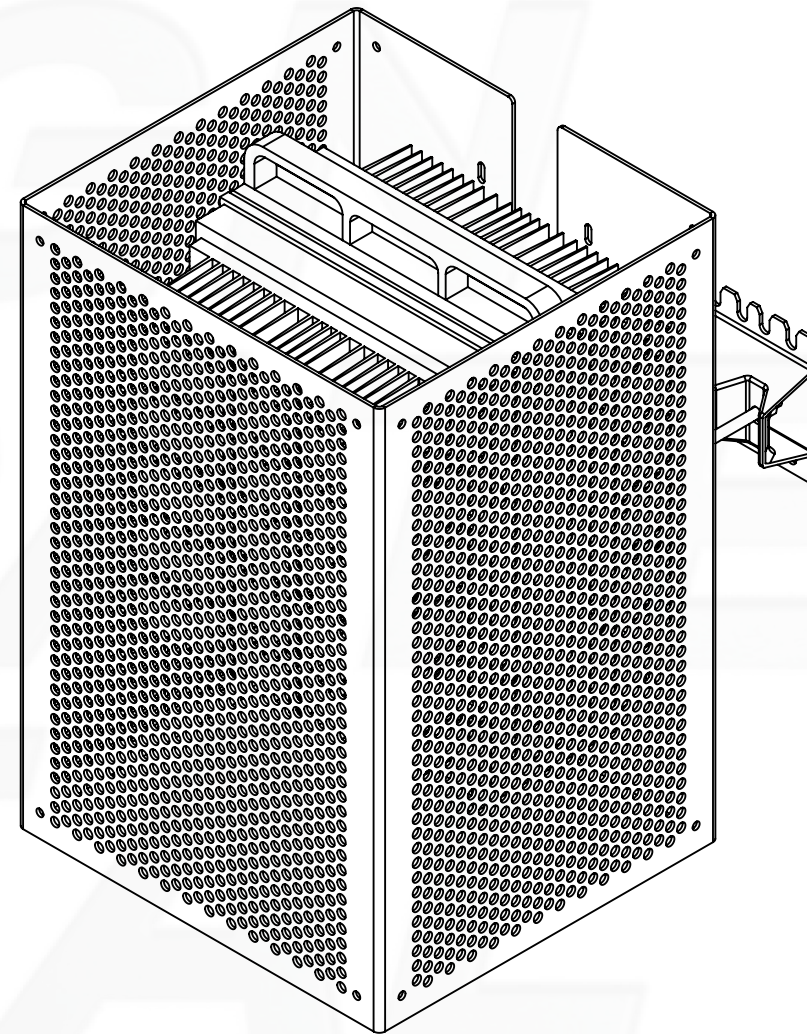
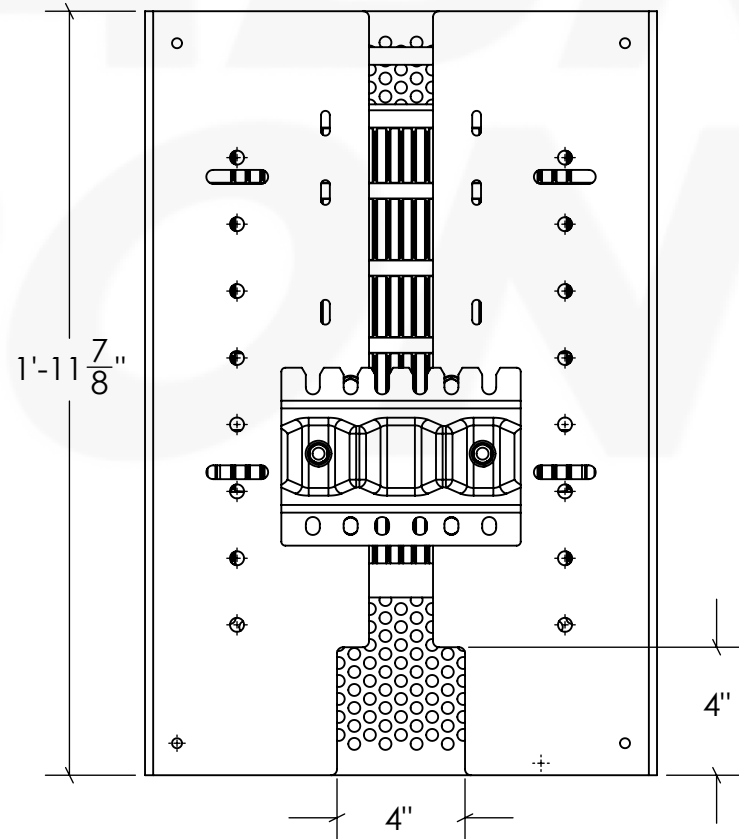
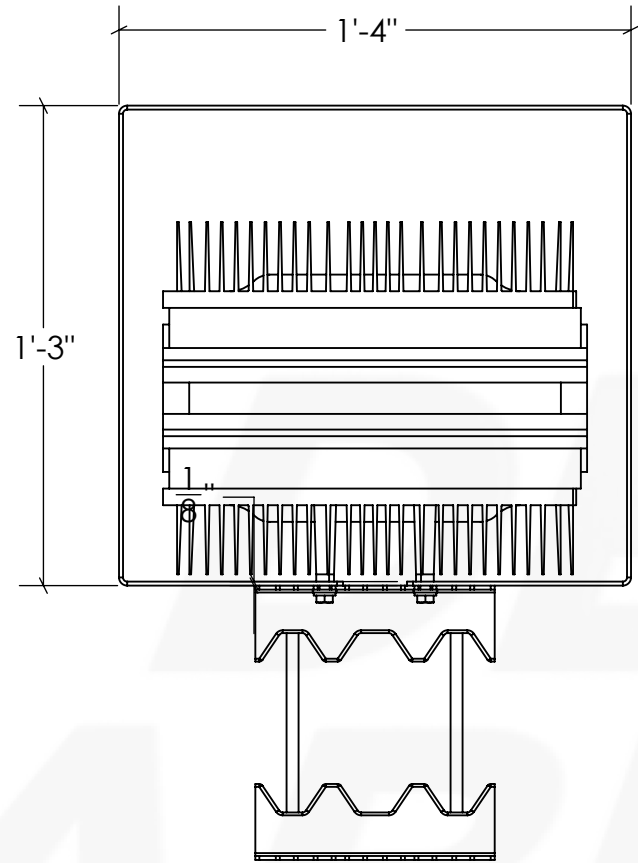
REVISIONS	
REV	DESCRIPTION

"CARRIER"

"PAGE NAME"	"SITE NAME" SITE# XXX00000 "JOB DESCRIPTION" "ADDRESS"
-------------	---



PAGE #	REV
	A
SHEET 1	



DFConceal

2455 VISTA DEL MONTE
CONCORD, CA 94520

www.DFConceal.com

PHONE: 800-916-1503

PROPRIETARY AND CONFIDENTIAL

THE INFORMATION CONTAINED IN THIS DRAWING IS THE SOLE PROPERTY OF DFCONCEAL, INC. ANY REPRODUCTION IN PART OR AS A WHOLE WITHOUT THE WRITTEN PERMISSION OF DFCONCEAL, INC. IS PROHIBITED.

DATE: DESIGNED: DRAFTER:

REVISIONS

REV	DATE	DESCRIPTION

"CARRIER"

"PAGE NAME"

"SITE NAME"

SITE# XXX00000

"JOB DESCRIPTION"

"ADDRESS"

PAGE #

REV

A

SHEET 2



DFConceal

2455 VISTA DEL MONTE
CONCORD, CA 94520

www.DFConceal.com

PHONE: 800-916-1503

PROPRIETARY AND CONFIDENTIAL

THE INFORMATION CONTAINED IN THIS DRAWING IS THE SOLE PROPERTY OF DFCONCEAL, INC. ANY REPRODUCTION IN PART OR AS A WHOLE WITHOUT THE WRITTEN PERMISSION OF DFCONCEAL, INC. IS PROHIBITED.

DATE: DESIGNED: DRAFTER:

REVISIONS

REV	DATE	DESCRIPTION

"CARRIER"

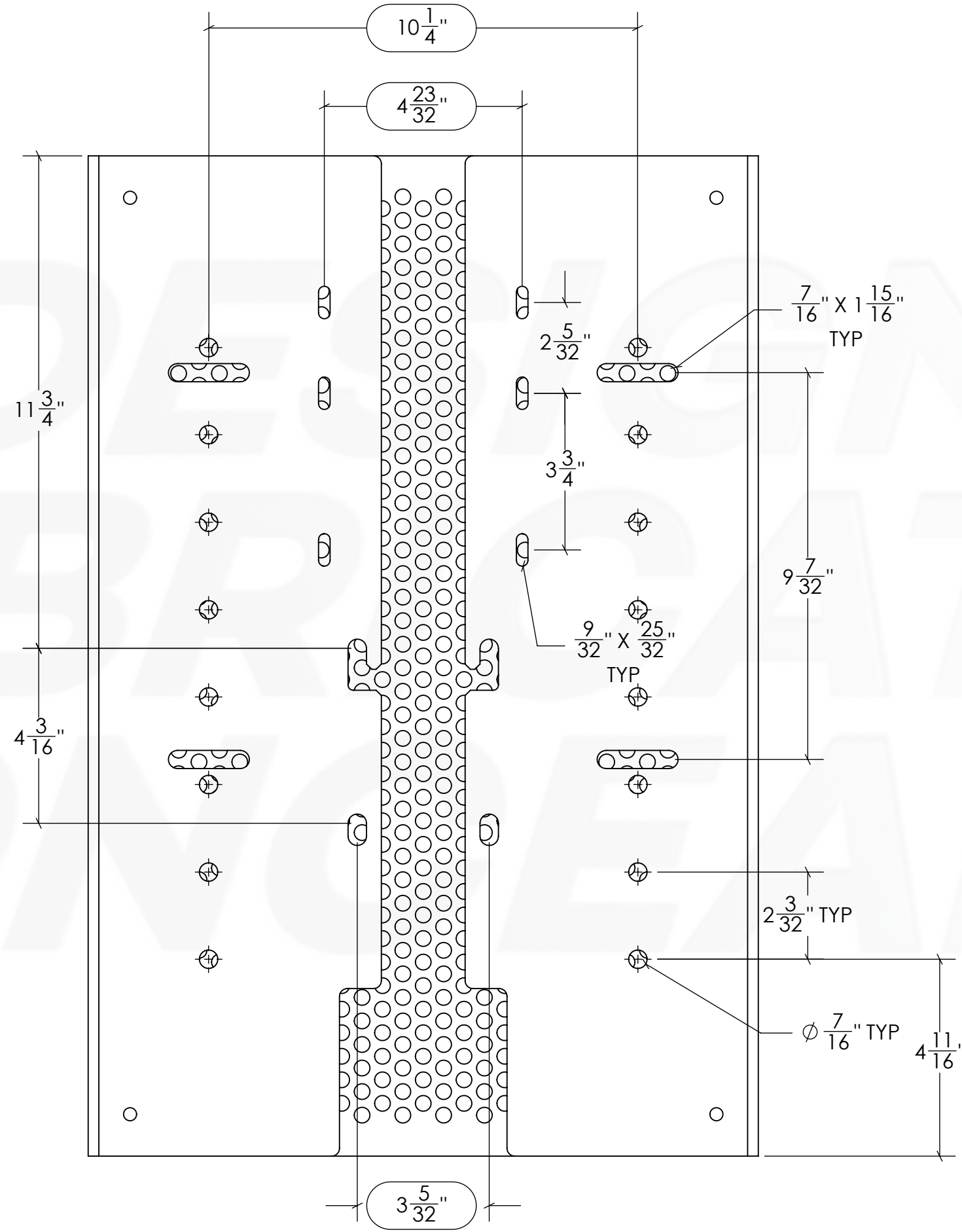
"PAGE NAME"

"SITE NAME"

SITE# XXX00000

"JOB DESCRIPTION"

"ADDRESS"



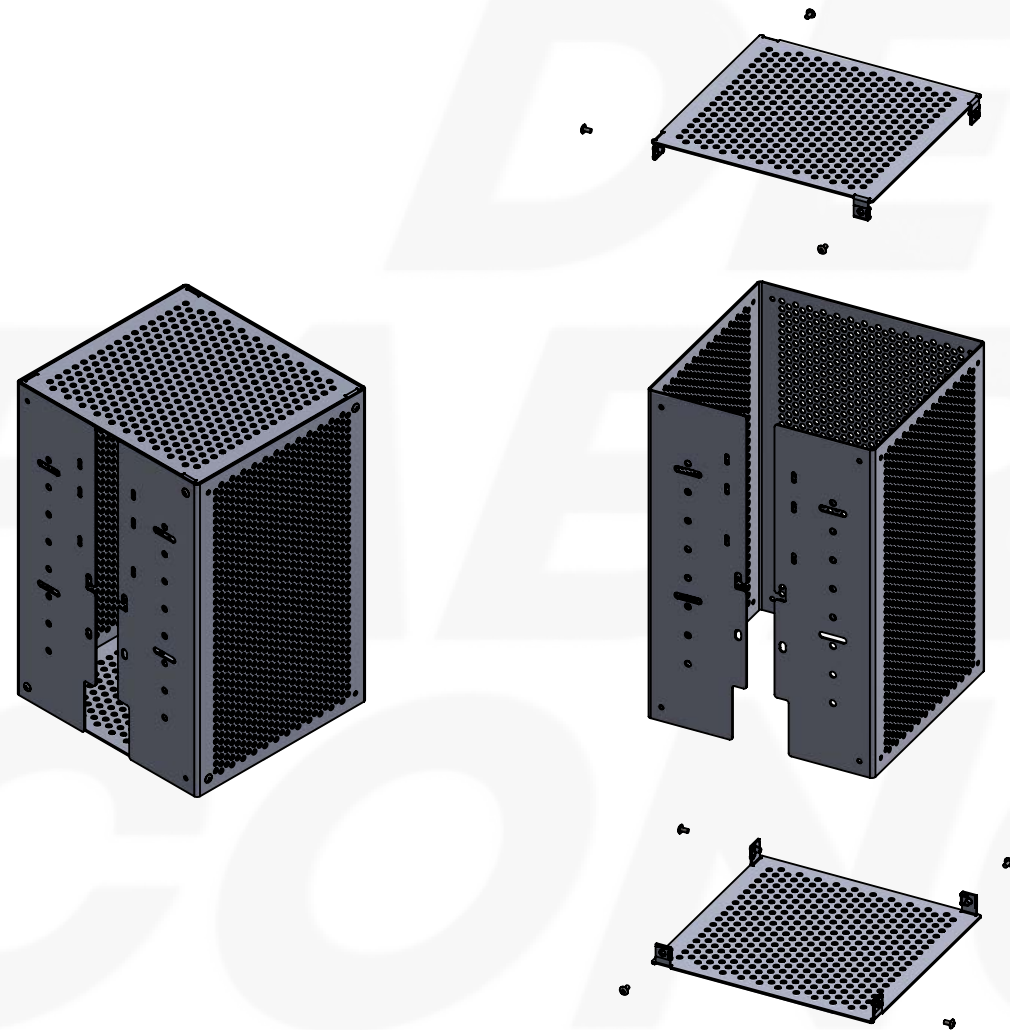
PAGE #

REV

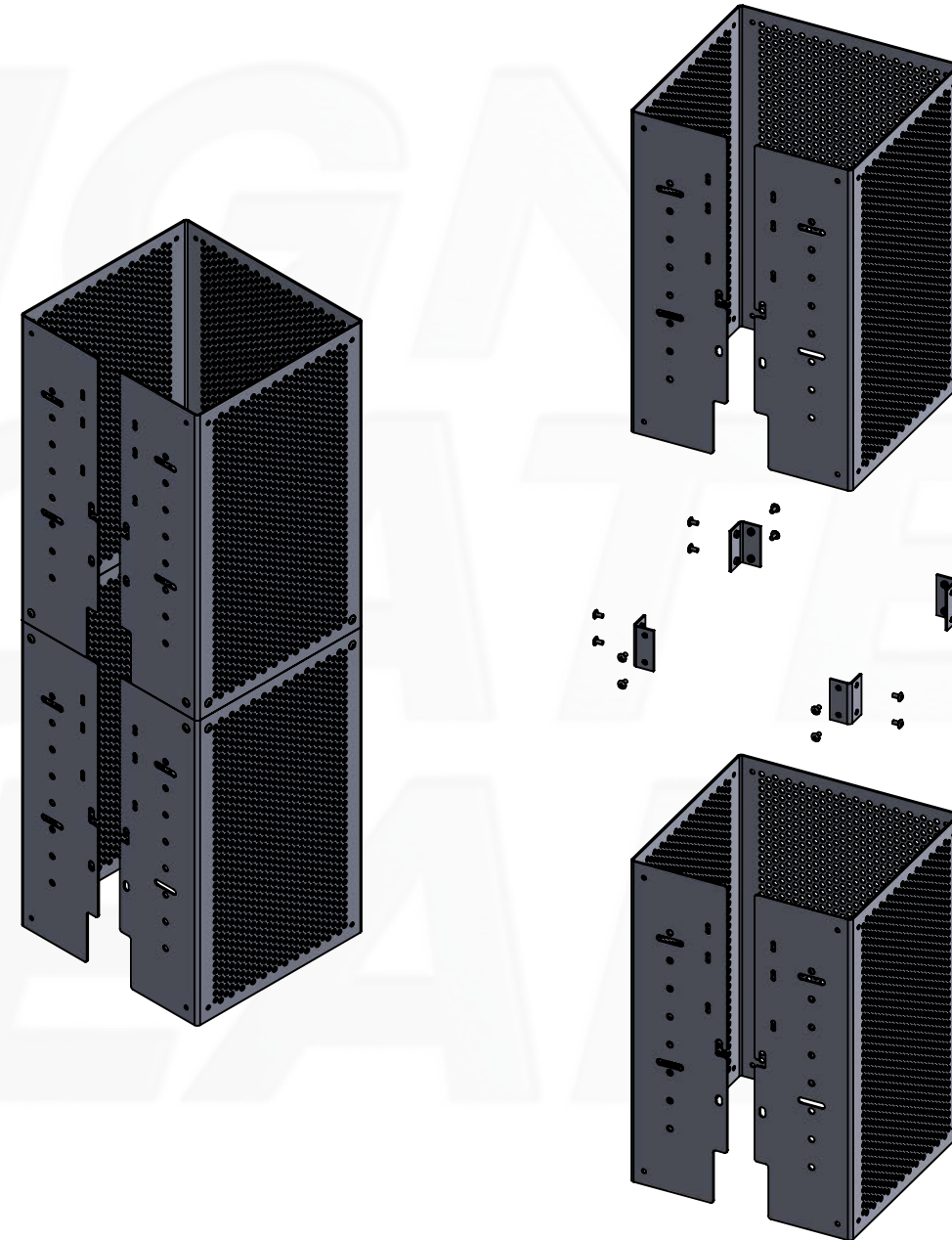
A

SHEET 3

OPTIONAL TOP/BOTTOM CAP



OPTIONAL EXTENSION BRACKETS



DFConceal

2455 VISTA DEL MONTE
CONCORD, CA 94520

www.DFConceal.com

PHONE: 800-916-1503

PROPRIETARY AND CONFIDENTIAL

THE INFORMATION CONTAINED IN THIS DRAWING IS THE SOLE PROPERTY OF DFCONCEAL, INC. ANY REPRODUCTION IN PART OR AS A WHOLE WITHOUT THE WRITTEN PERMISSION OF DFCONCEAL, INC. IS PROHIBITED.

DATE: DESIGNED: DRAFTER:

REVISIONS	
REV	DESCRIPTION

"CARRIER"

<p>"PAGE NAME"</p>	<p>"SITE NAME" SITE# XXX00000 "JOB DESCRIPTION" "ADDRESS"</p>
--------------------	---

