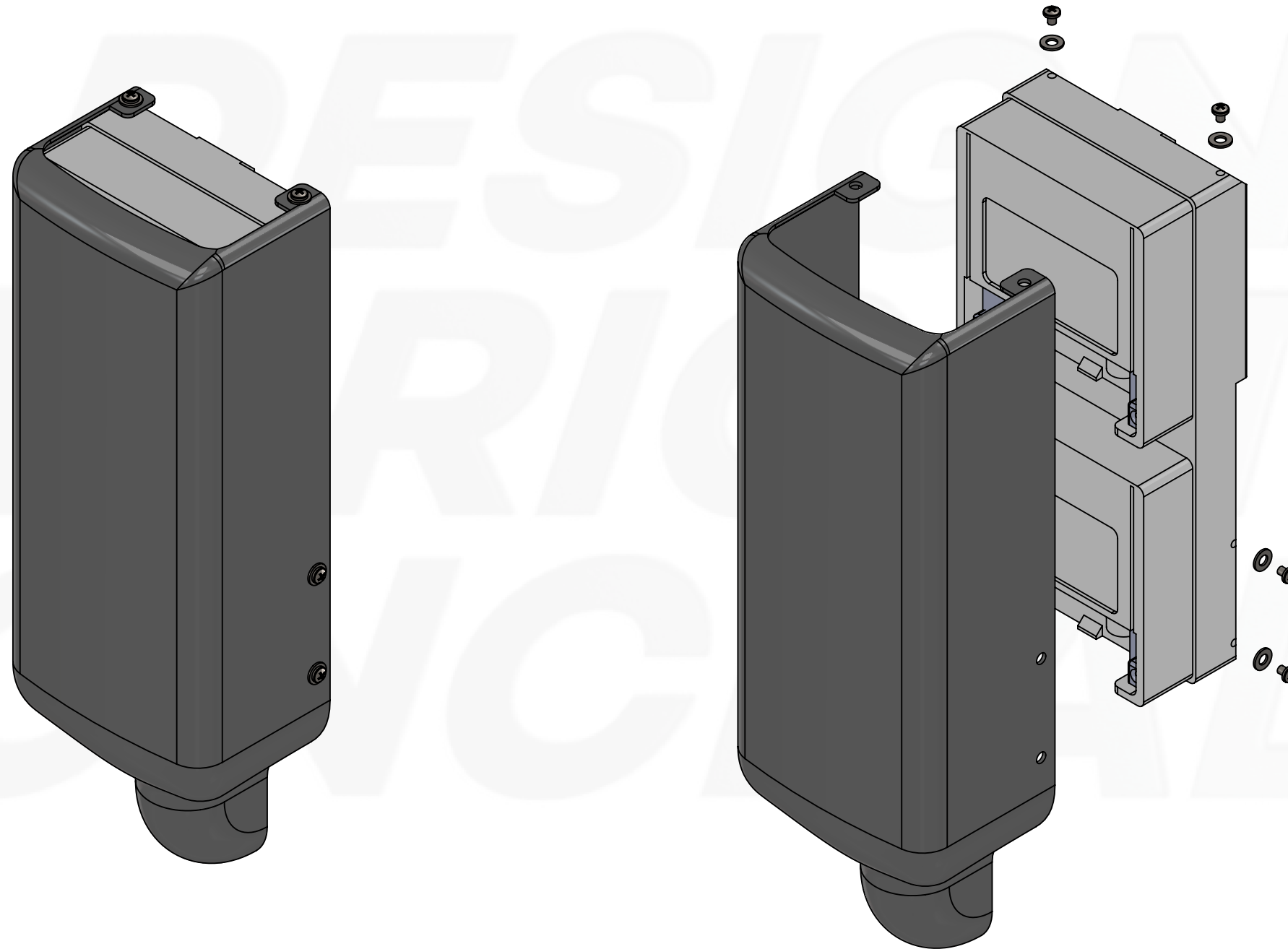


# SHROUD FOR DUAL DUAL RADIOS



STAMP



UNLESS OTHERWISE SPECIFIED:

DIMENSIONS ARE INCHES  
TOLERANCES:  
FRACTIONAL  $\pm$   
ANGULAR: MACH  $\pm$   
BEND  $\pm$   
TWO PLACE DECIMAL  $\pm$ .010  
THREE PLACE DECIMAL  $\pm$ .005

MATERIAL:  
FINISH:

PROPRIETARY AND CONFIDENTIAL

THE INFORMATION CONTAINED IN THIS DRAWING IS THE SOLE PROPERTY OF ELECTRIC TECH CONSTRUCTION, INC. ANY REPRODUCTION IN PART OR AS A WHOLE WITHOUT THE WRITTEN PERMISSION OF ELECTRIC TECH CONSTRUCTION, INC. IS PROHIBITED.

APPROVALS & DATES

NOT FOR CONSTRUCTION UNLESS LABELED AS CONSTRUCTION SET

SITE NUMBER

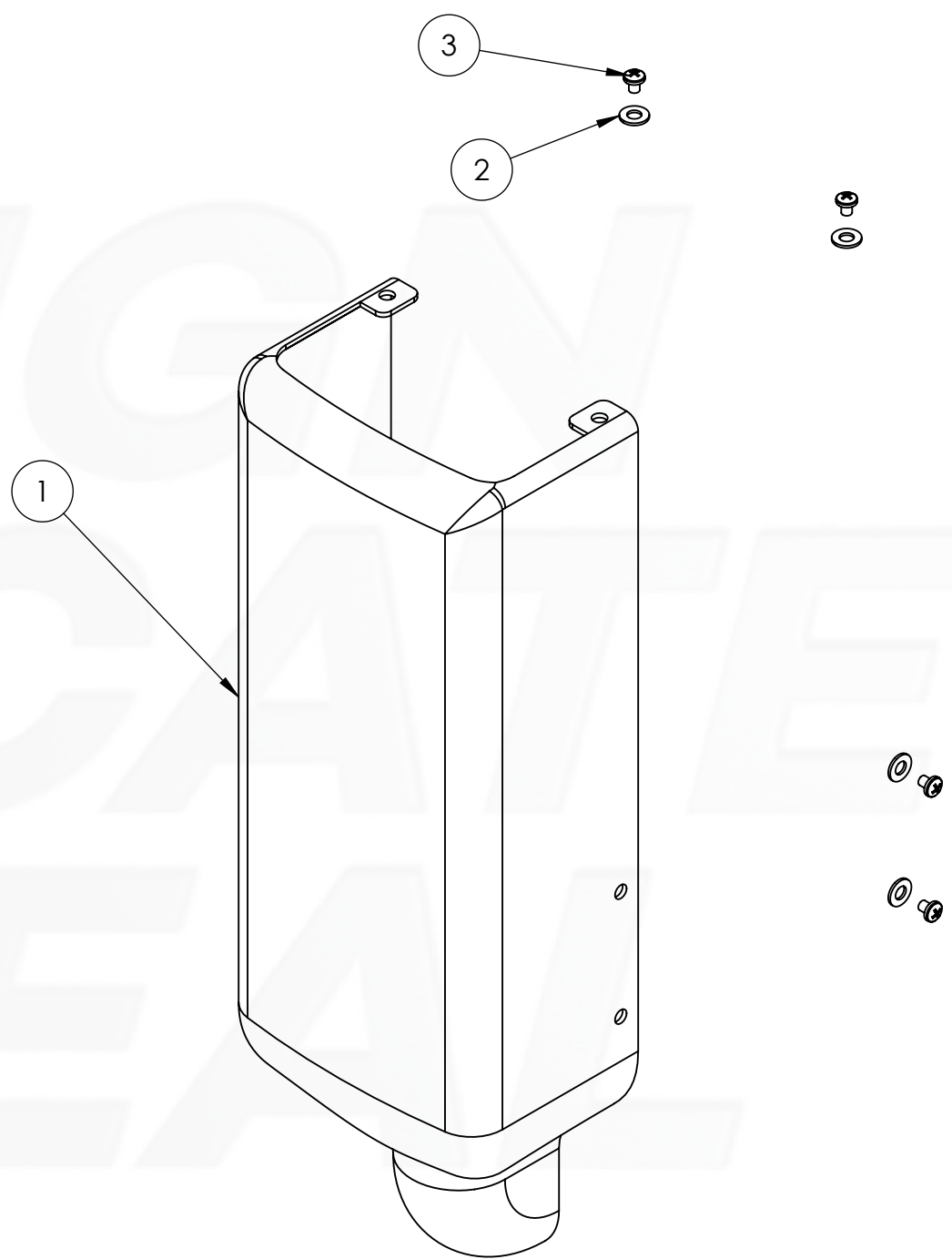
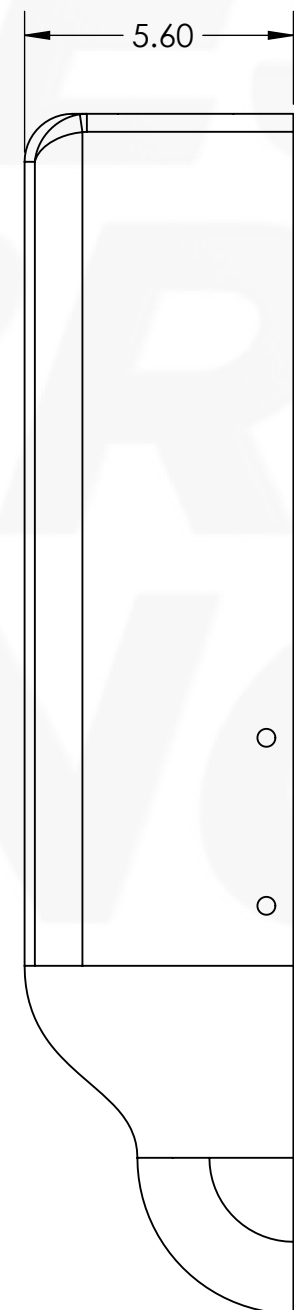
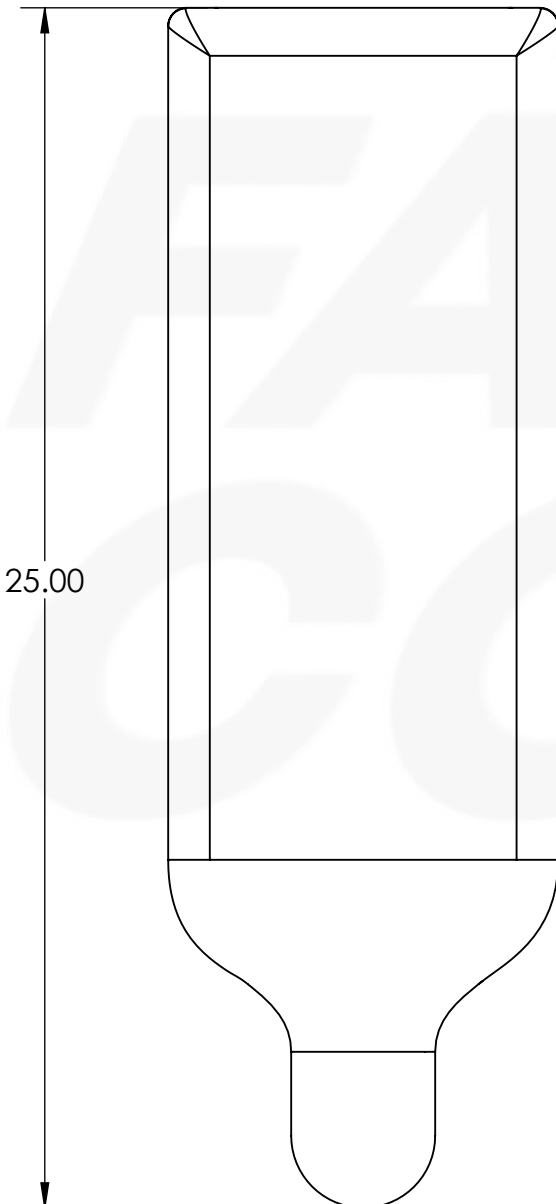
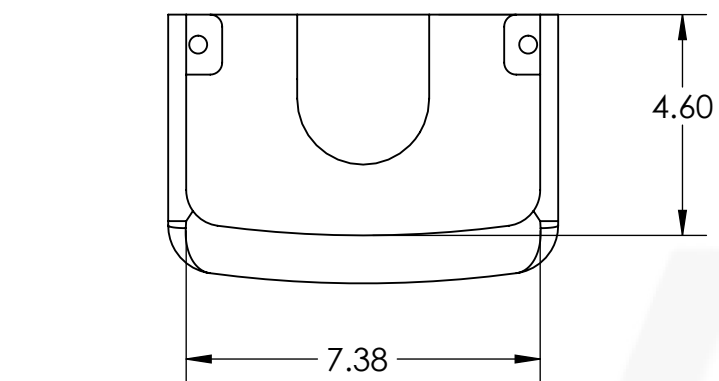
SITE NAME

PRODUCT ID #

Sunshield over Radios

REV	A
-----	---

PRODUCT DESCRIPTION



ITEM NO.	PART NUMBER	QTY.
1	Sunshield	1
2	Preferred Narrow FW 0.3125	6
3	CR-PHMS 0.25-20x0.3125x0.3125-N	6

STAMP



UNLESS OTHERWISE SPECIFIED:  
 DIMENSIONS ARE INCHES  
 TOLERANCES:  
 FRACTIONAL ±  
 ANGULAR: MACH ±  
 BEND ±  
 TWO PLACE DECIMAL ±.010  
 THREE PLACE DECIMAL ±.005  
 MATERIAL:  
 FINISH:

**PROPRIETARY AND CONFIDENTIAL**  
 THE INFORMATION CONTAINED IN THIS DRAWING IS THE SOLE PROPERTY OF ELECTRIC TECH CONSTRUCTION, INC. ANY REPRODUCTION IN PART OR AS A WHOLE WITHOUT THE WRITTEN PERMISSION OF ELECTRIC TECH CONSTRUCTION, INC. IS PROHIBITED.

**APPROVALS & DATES**

NOT FOR CONSTRUCTION UNLESS LABELED AS CONSTRUCTION SET

**SITE NUMBER**

**SITE NAME**

**PRODUCT ID #**  
 Sunshield over Radios

REV | A

**PRODUCT DESCRIPTION**