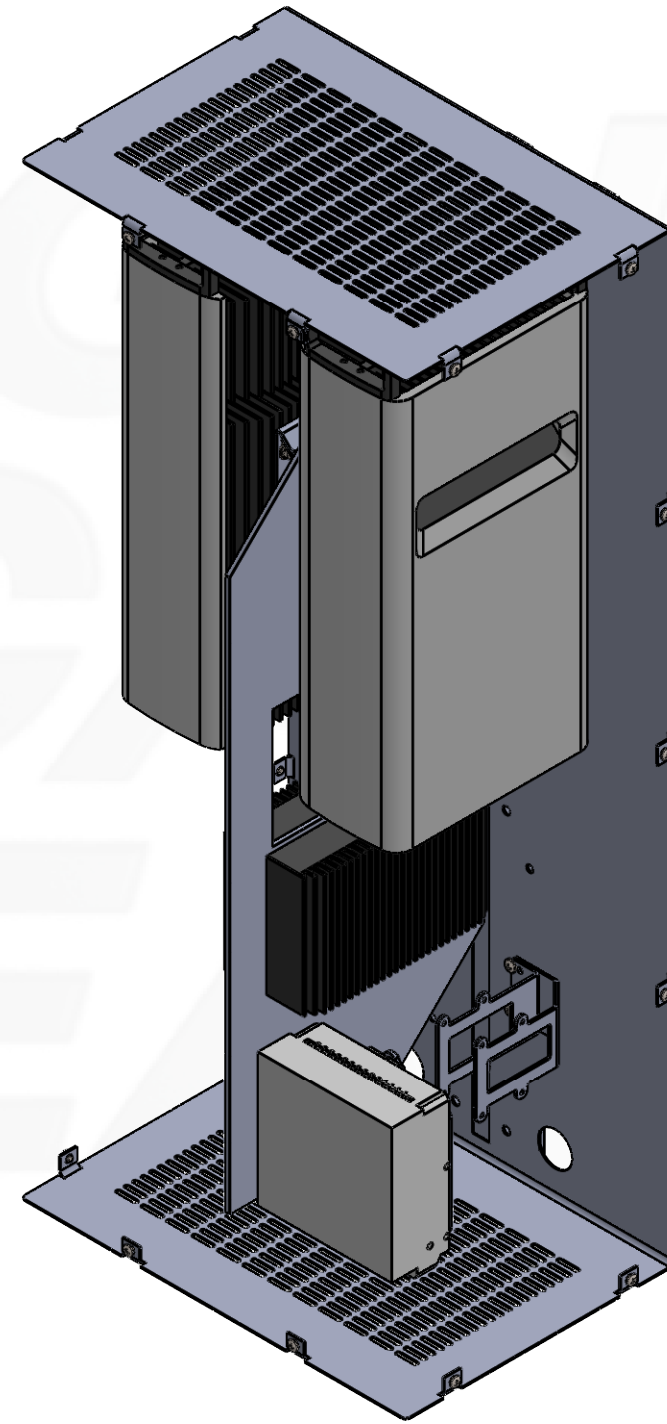


53" MACRO CAB



STAMP



UNLESS OTHERWISE SPECIFIED:

DIMENSIONS ARE INCHES
TOLERANCES:
FRACTIONAL ±
ANGULAR: MACH ±
BEND ±
TWO PLACE DECIMAL ±.010
THREE PLACE DECIMAL ±.005

MATERIAL:
FINISH:

PROPRIETARY AND CONFIDENTIAL

THE INFORMATION CONTAINED IN THIS DRAWING IS THE SOLE PROPERTY OF ELECTRIC TECH CONSTRUCTION, INC. ANY REPRODUCTION IN PART OR AS A WHOLE WITHOUT THE WRITTEN PERMISSION OF ELECTRIC TECH CONSTRUCTION, INC. IS PROHIBITED.

APPROVALS & DATES

NOT FOR CONSTRUCTION UNLESS LABELED AS CONSTRUCTION SET

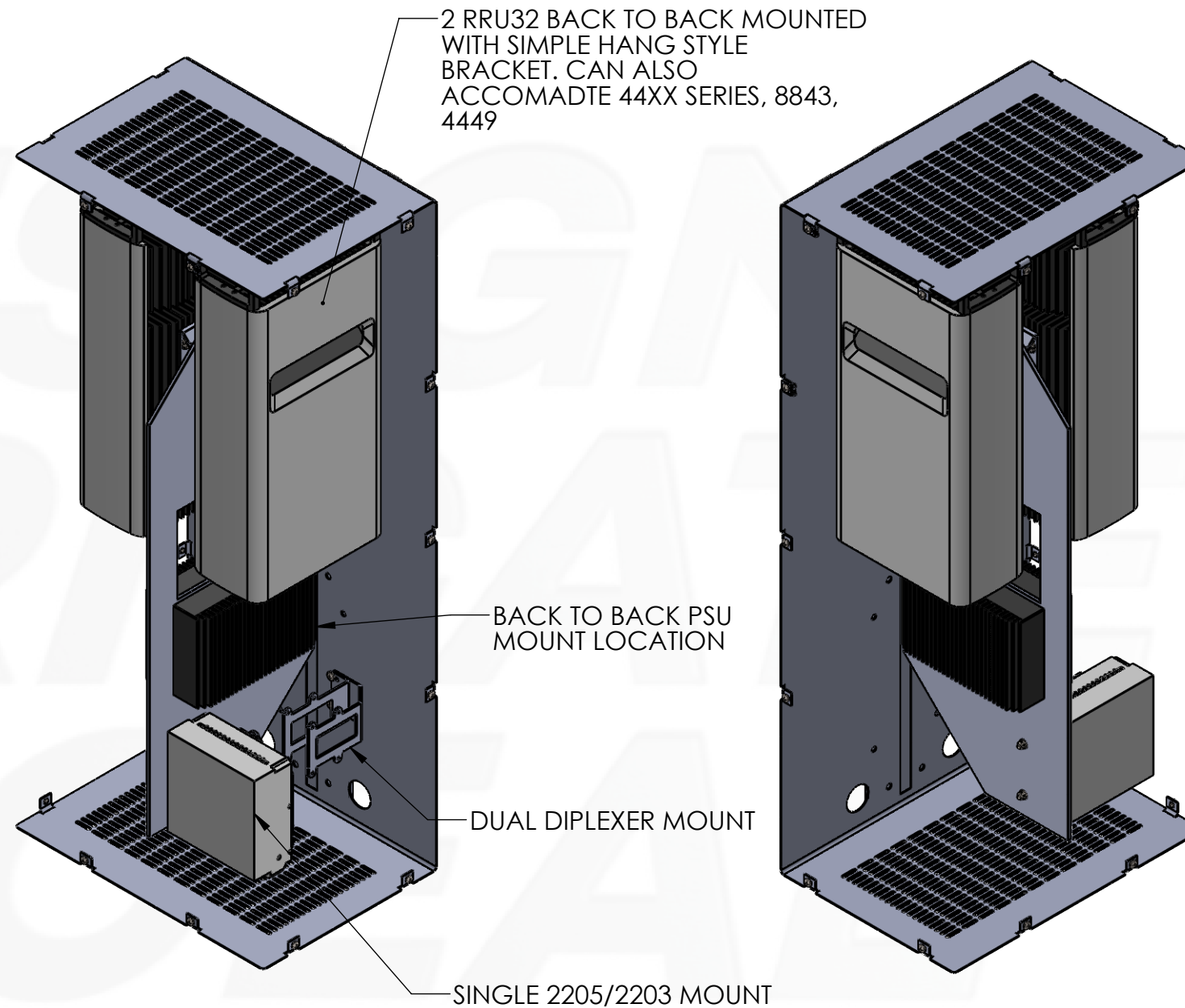
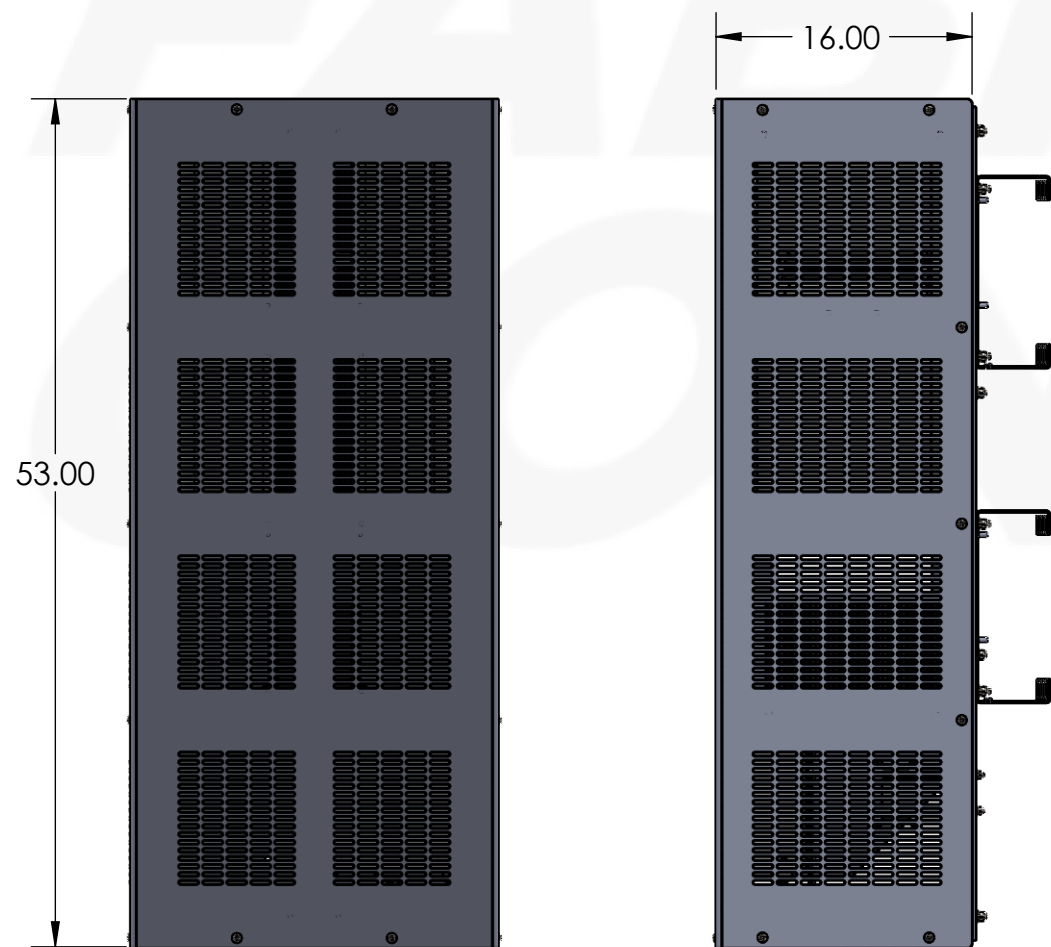
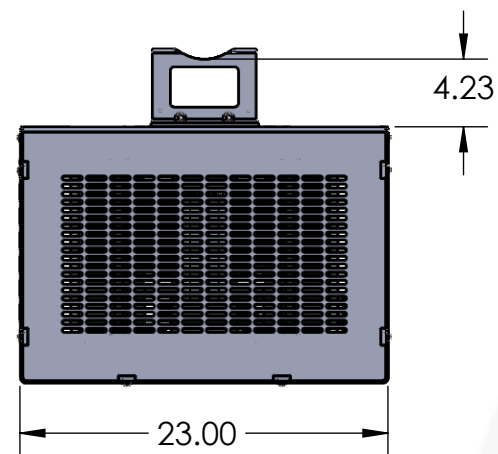
SITE NUMBER

SITE NAME

PRODUCT ID #
53IN MACRO CAB

REV	A
-----	---

PRODUCT DESCRIPTION



STAMP



UNLESS OTHERWISE SPECIFIED:

DIMENSIONS ARE INCHES
 TOLERANCES:
 FRACTIONAL ±
 ANGULAR: MACH ±
 BEND ±
 TWO PLACE DECIMAL ±.010
 THREE PLACE DECIMAL ±.005

MATERIAL:
 FINISH:

PROPRIETARY AND CONFIDENTIAL

THE INFORMATION CONTAINED IN THIS DRAWING IS THE SOLE PROPERTY OF ELECTRIC TECH CONSTRUCTION, INC. ANY REPRODUCTION IN PART OR AS A WHOLE WITHOUT THE WRITTEN PERMISSION OF ELECTRIC TECH CONSTRUCTION, INC. IS PROHIBITED.

APPROVALS & DATES

NOT FOR CONSTRUCTION UNLESS LABELED AS CONSTRUCTION SET

SITE NUMBER

SITE NAME

PRODUCT ID #
 53IN MACRO CAB

REV | A

PRODUCT DESCRIPTION