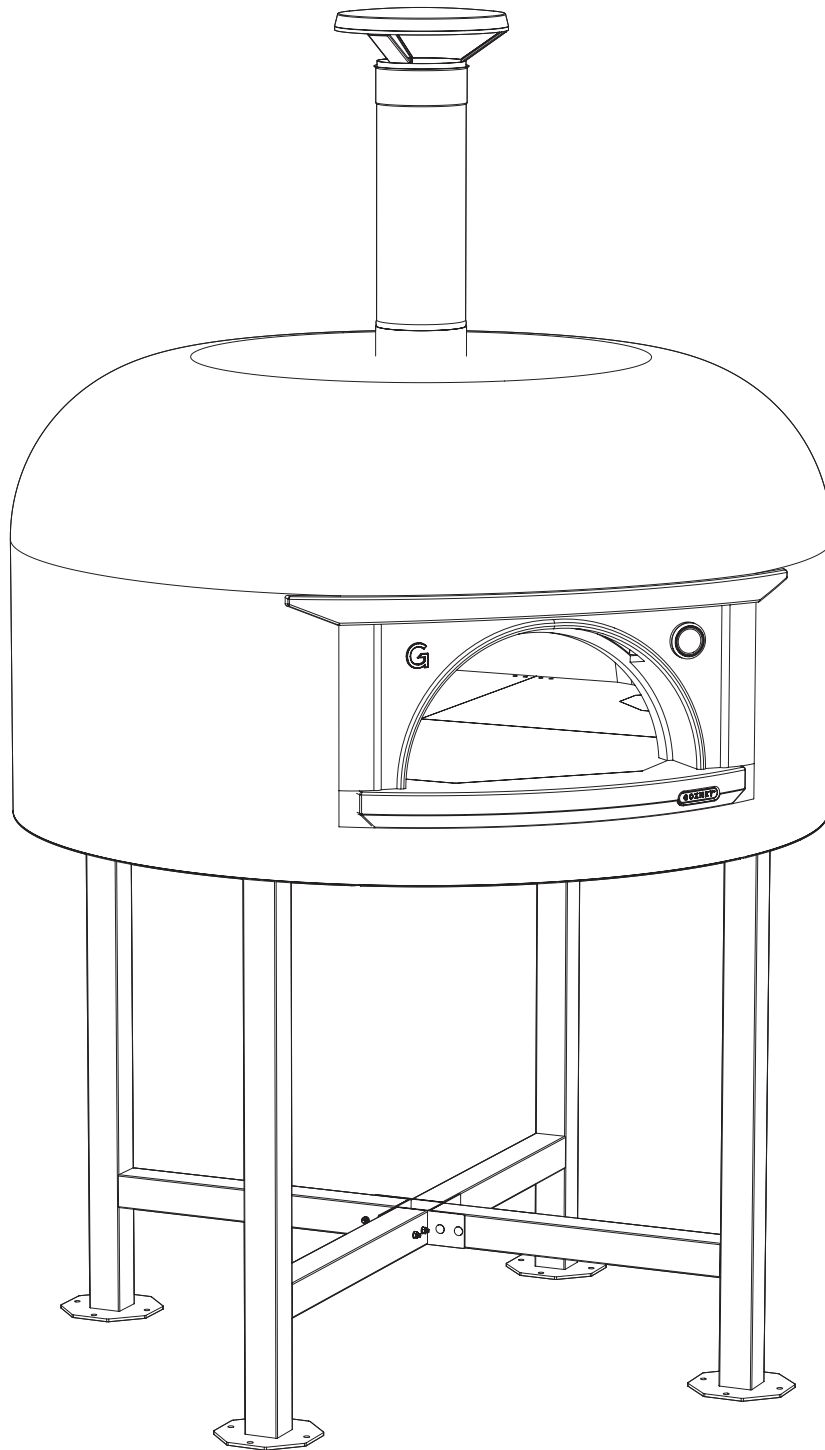


# SPECIFICATION SHEET

GOZNEY MASTER 100 X 100

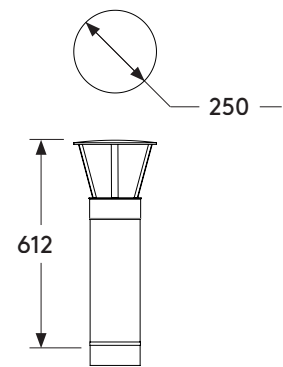
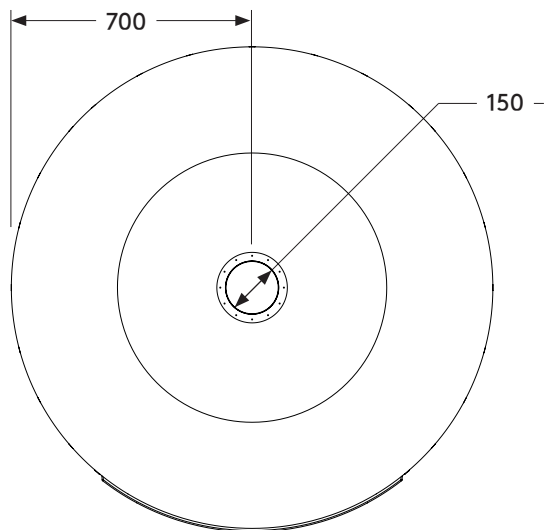


# FREE-STANDING

## GOZNEY MASTER 100 X 100

### PRODUCT SPECIFICATION

Internal oven dimensions	Width 1000mm x Depth 1000mm x Height 380mm	All dimensions in mm
Pizza capacity	5 x 12" Pizzas	
Door size	Width 474mm x Height 224mm	
Oven weight (with render)	800kg	
Oven weight (without render)	613kg	
Render surface area	4.2m <sup>2</sup>	
Floor loading (with render)	8,465kg/m <sup>2</sup>	
Oven wall thickness	75mm	
Clearance	Sides: 50mm Front: 1000mm Top: 350mm	
Extraction	150mm Flue Spigot	
Extraction flow rate	350CFM	



Flue pipe and rain cap.

