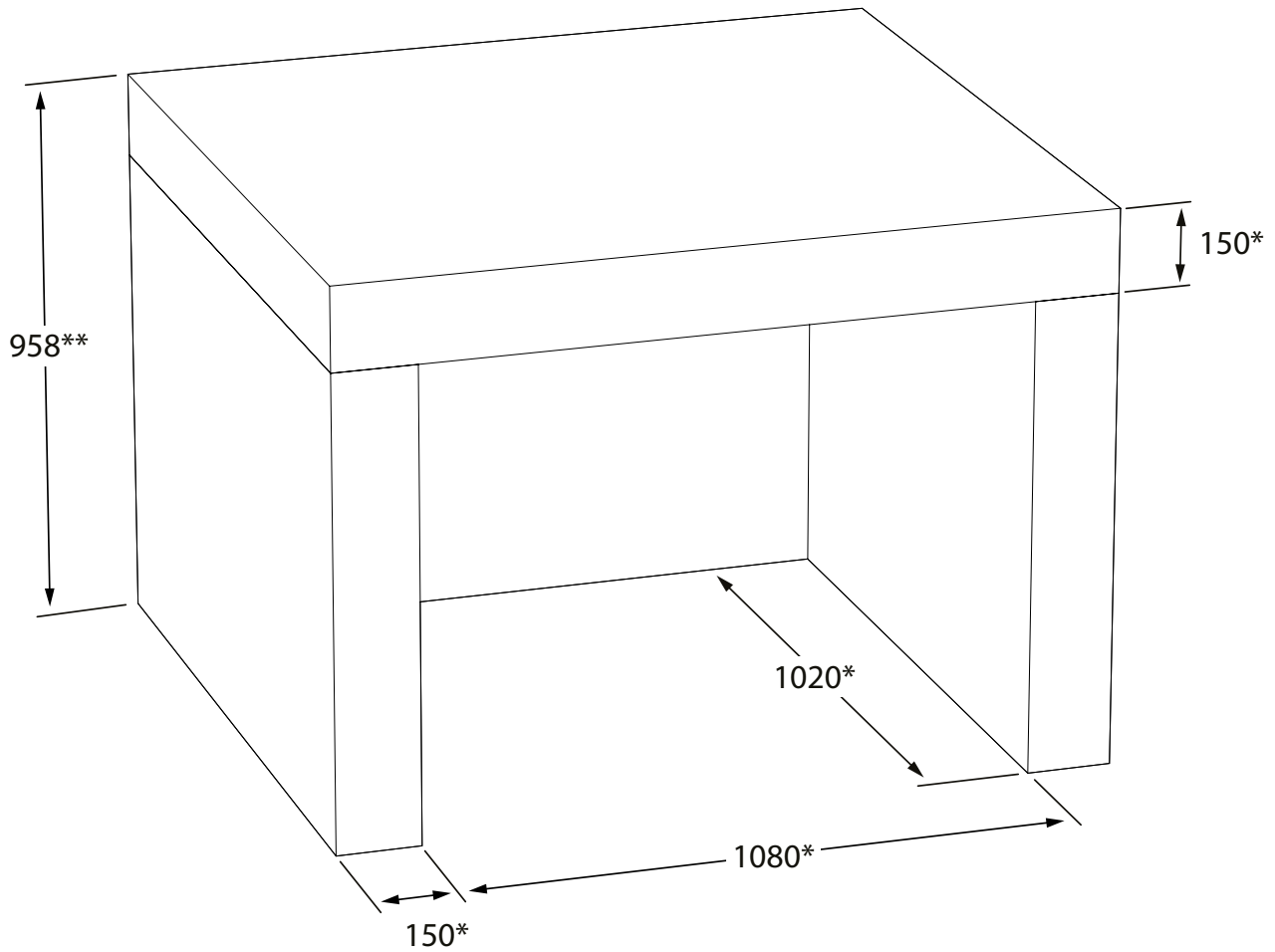


GOZNEY CORE 75 X 75

Stand Dimensions



All dimensions in mm

* Minimum specified dimensions.

** Guideline dimension. For an ideal cooking height the oven cooking surface should be the same height as the operators elbow.