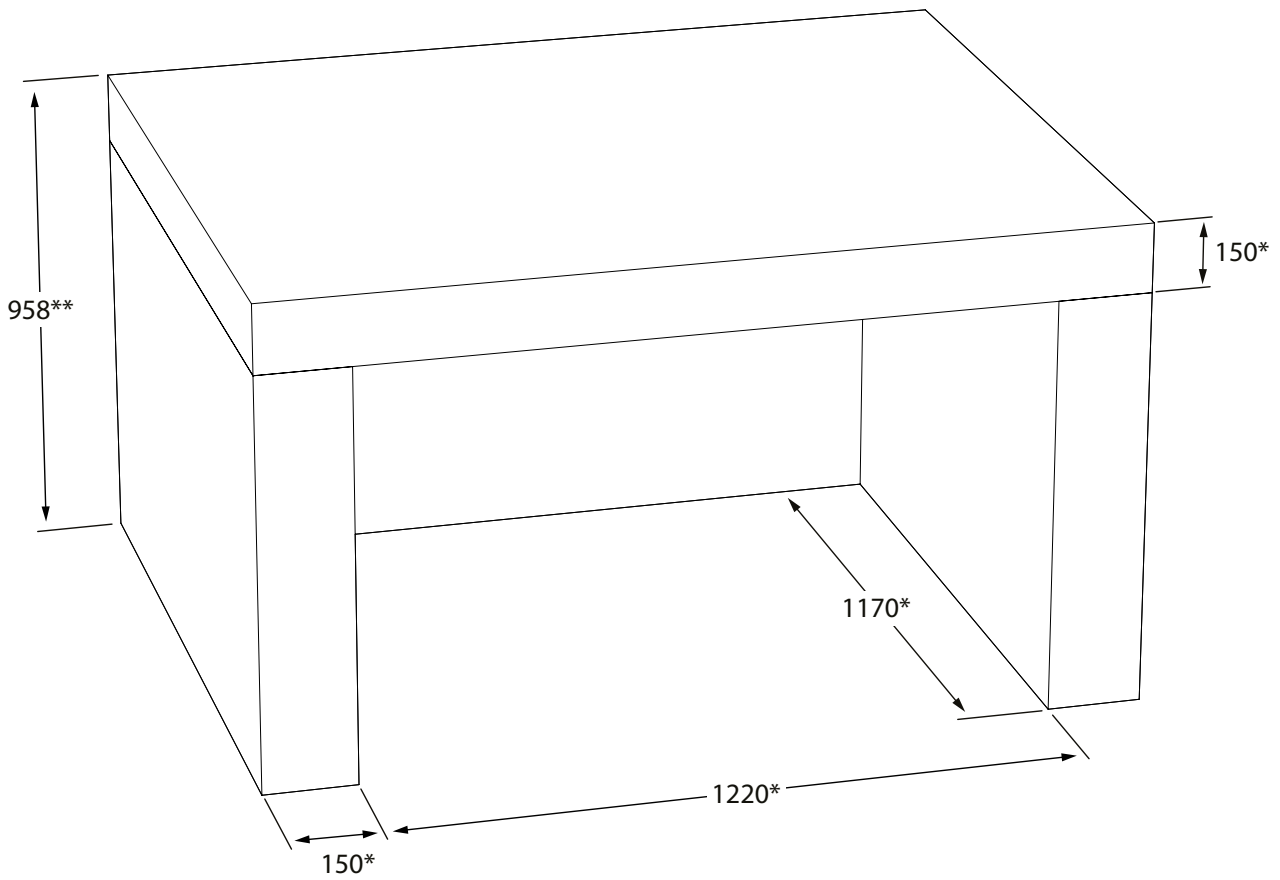


# GOZNEY CORE 100 X 100

## Stand Dimensions



All dimensions in mm

\* Minimum specified dimensions.

\*\* Guideline dimension. For an ideal cooking height the oven cooking surface should be the same height as the operators elbow.