

borg &
overström



Distinctive
by design.

t3

borg&
overström

Designing a hot tap revolution

T3 is our first-ever hot tap for all seasons. We've pushed the boundaries of design to build a four-way tap system that in no way sacrifices water quality, performance, energy efficiency, or aesthetics. The newest addition has been built from the ground up with premium aesthetics and our most advanced dispensing innovations.



Distinctive
by design.

Cool touch

We've solved one of the biggest challenges of hot water dispensing, temperature control. T3 dispenses hot water at 92 degrees and then chilled or sparkling water from the same tap without heat transfer to chilled water feeds or the faucet.

Sustainability at the heart

T3 is built in the UK using proprietary sub-assemblies from nearshore suppliers, reducing the supply-chain carbon footprint. Recyclable components combined with solar-powered manufacturing processes make T3 a highly sustainable choice.

Future-proof digital connectivity

T3 meets the needs of the modern workplace with industry-leading digital connectivity. It's IoT-ready and comes with touchless Bluetooth® operation as standard. An intelligent troubleshooting module emits blinking code to support users with effective maintenance.

Single undercounter ProCore®

Beneath the counter is a single, convenient unit housing hot, cold, ambient and sparkling components. It's low maintenance and fitted with the new eco R290 gas. The colour-coated GreenCoat® steel construction makes it sustainable and durable.

Energy-saving ECO mode

T3 is consistently energy efficient, making it both economical and eco-friendly. In addition to our high-performance cooling technology, Dry Chill®, T3 has an intelligent sensor which sends the appliance into standby mode during low light or after a period of inactivity.

Revolutionary modularity

T3 bears the iconic hallmark of all next-generation Borg & Overström dispensers – Maktens Borg. The universally compatible parts increase maintenance efficiency for distributors and demonstrate a commitment to outstanding reliability for all users.

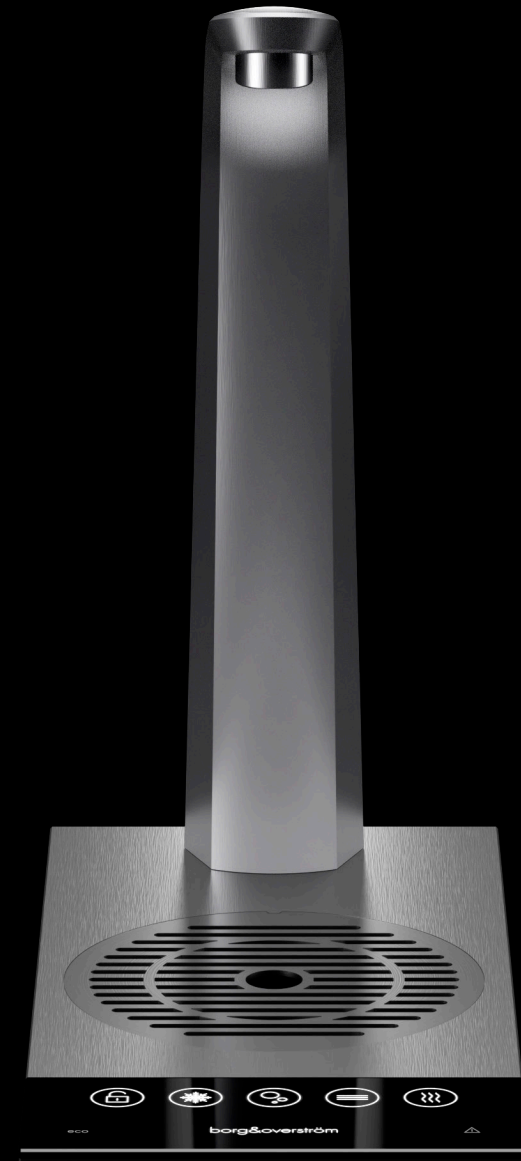
Advanced ECO-UV protection

As an option, T3 can be fitted with Viovandl®, a mercury-free, chemical-free and energy-efficient LED-UV water purification system. For complete peace of mind, it also includes additional hygiene features via Borg & Overström's Totality® methodology.

Easy-fit ventilation kit

T3 ProCore® fits into the same cutouts as a T2 ProCore® allowing for easy transition from one to the other with no adaptation. The ProCore® comes complete with an easy-fit ventilation kit, which increases the efficiency of ProCore® by allowing a continuous cycle of cool air.

Distinctive
by design.



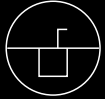
t3

Water system



Dry Chill®

Configurations



Integrated Tap

Water options



Chilled



Sparkling



Ambient



Hot



Steel



Black

Tap finishes

Uncompromising,
original design

Distinctive
by design.



Totality® - Hygiene-assured refreshment



Totality® is our assurance that water dispensed from a Borg & Overström water dispenser is as safe as it is refreshing. Water dispensers can be specified with up to six Totality® components ensuring an exceptionally high standard of hygiene. For more information visit: borgandoverstrom.com/hygiene



Digital precision
The discreet digital touch panel has an antimicrobial coating for a reassuringly clean experience. Chilled, sparkling, or ambient water can also be dispensed touch-free via the Bluetooth® app.



Advanced UV-led protection.
As an option, the T3 can be fitted with Viovand™, a mercury-free, chemical-free and energy-efficient LED-UV water purification system. For complete peace of mind, it also includes additional hygiene features via Borg & Overström's Totality® methodology.



Sealed drinking water system.
Dry Chill® is the most hygienic cooling process. No water is stored within the system, which greatly reduces the opportunity for bacteria to become established. Dry Chill® also produces a larger volume of lower temperature water due to its faster recovery time.



Independently certified anti-microbial, antipathogen sanitising procedure.
All dispensers are sterilised using Sterizen® sanitising infusion. No other brand of watercooler goes through this process, which is why only Borg & Overström appliances are laboratory certified to be 99.999% bacteria reduced.



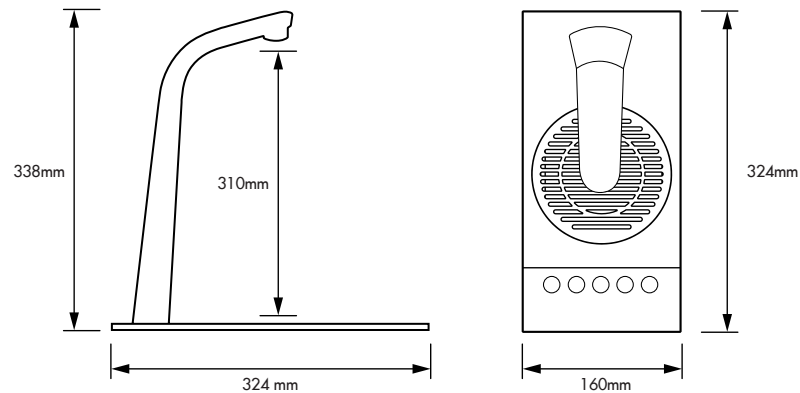
High-performing, easy to fit carbon filters.
3M carbon filters provide the highest level of water hygiene security for your dispenser over a longer period of time. All Borg & Overström water dispensers can be fitted with 3M carbon filters.

Distinctive
by design.

T3 Specifications	T3 ProCore	Dispense options	Max power consumption	Black	Steel	Black ECO-UV	Steel ECO-UV
Power requirements Hertz 50/Volts 230-240	Throughput flow rate Chilled & Sparkling 50 LPH / 60 BPH Hot 16 LPH / 90 CPH	Chilled, Ambient & Hot	1670W	743160	743170	743180	743190
Water system Dry Chill®		Chilled, Sparkling, Ambient & Hot	1670W	743240	743250	743260	743270
Water temperatures Chilled 2°C/Hot 92°C							
Tap height 338mm	T3 ProCore+	Dispense options	Max power consumption	Black	Steel	Black ECO-UV	Steel ECO-UV
Dispense height 310mm	Throughput flow rate Chilled & Sparkling 80 LPH / 90 BPH Hot 16 LPH / 90 CPH	Chilled, Ambient & Hot	1710W	743480	743490	743500	743510
ProCore dimensions including Simple-fit Ventilation Base W320xD471xH400mm (Includes 20mm overhang)		Chilled, Sparkling, Ambient & Hot	1710W	743560	743570	743580	743590

LPH = Litres per hour
BPH = Bottles per hour
CPH = Cups per hour

Distinctive
by design.



Additions for T3



Biodegradable paper cups
Environmentally-friendly disposable cups designed to fit Borg & Overström cup dispensers perfectly.



Personal drinking bottles
500ml capacity in black. Comes with quick-release leak-proof cap and carry strap.



500ml glass bottles
Suitable for dishwashers and bottlewashers. A perfect fit for the T3. Stylish swing-top lid.



Deep Sparkle® CO² refills
Can be disposed via standard steel recycling or general waste. Requires CO² regulator with gauge.



Sanitisation kit
Six monthly sanitising cycles ensure appliances function at the optimum hygiene levels.



Alarmed Bluetooth® waste kit
This optional clever device emits an audible alarm at high water level and deactivates the control panel via Bluetooth.



Install kit with 3M filter
Install appliances simply and effectively in a wide range of applications. Complete with a 3M filter.

Distinctive
by design.



Book a personal demonstration of the T3

Talk to an adviser

+44 (0) 1362 695 006

sales@borgandoverstrom.com