

VRX and AXON™ Winch Operator's Manual



This manual provides important safety information and instructions on how to operate your winch. It is important to read **ALL** instructions and safety information **BEFORE** installing and operating your winch.

As you read these instructions, you will see **WARNINGS**, **CAUTIONS**, **NOTICES** and **NOTES**. Failure to observe these instructions could lead to serious injury or death. **WARNINGS** are safety messages that indicate a potentially hazardous situation which, if not avoided, could result in serious injury or death. **CAUTIONS** are safety messages that indicate a potentially hazardous situation which, if not avoided, could result in minor or moderate injury. **CAUTIONS** and **WARNINGS** identify the hazard, indicate how to avoid the hazard, and advise of the probable consequence of not avoiding the hazard. **NOTICES** are messages to avoid property damage. **NOTES** are additional information to help you complete a procedure. **PLEASE WORK SAFELY!**

SAVE THIS MANUAL and other product literature for future reference and review frequently for continuing safe operation.

Instruct all users of this product to review this manual before operating this product.

Additional Product Literature Available Online:

- **Basic Guide to Winching Techniques**
 - Provides a basic understanding of the winch and teaches basics of proper winching techniques. It is a valuable resource to help winch safely and efficiently.
- **Product Specification and Performance Data**
 - Provides product specifications, performance data and replacement parts information.
- **Other product literature specific to some products**

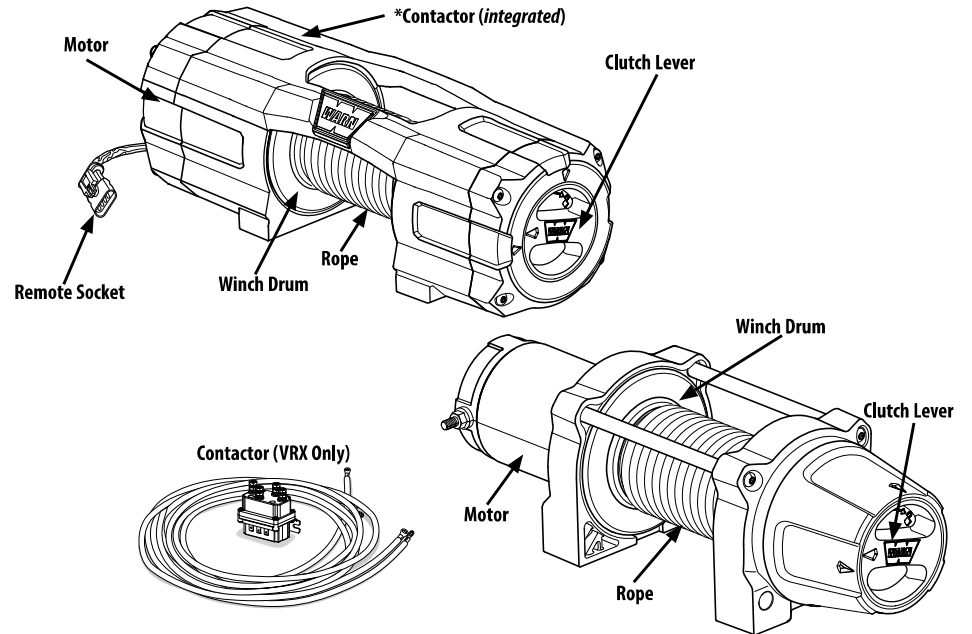
Go to www.warn.com for additional or replacement product literature available to view/download.

TABLE OF CONTENTS:

Know Your Winch/ Know Your Components.....	2-3
Mounting	4-5
Electrical.....	6-8
First Time Operation Instructions.....	9-12
Synthetic Rope Care	13
Final Analysis and Maintenance	14
Warranty	15-17
USA/Canada.....	15
International	16

KNOW YOUR WINCH

Before you begin, you should familiarize yourself with your WARN® winch and each of its components:



Motor: The winch motor is powered by the vehicle's battery. The motor provides power to the gear mechanism, which turns the winch drum and winds the winch rope.

Winch Drum: The winch drum is the cylinder onto which the winch rope feeds. The drum is driven by the motor and drive train. Its direction can be changed using the remote control.

Winch Rope: The winch rope's diameter and length are determined by the winch's load capacity and design. Wrapped around the winch drum and fed through the fairlead, the winch rope is looped at the end to accept the hook's clevis pin. Synthetic winch rope is constructed of a unique ultra high molecular weight polyethylene material and offers tremendous tensile strength. It is coated with a high temperature urethane and equipped with a temperature resistant sleeve on the first layer for added protection. The synthetic rope's high flexibility and low weight make it much easier to handle out in the field.

Clutch Lever: The clutch allows the operator to manually disengage the spooling drum from the gear train, enabling the drum to rotate freely (known as "freespooling"). Engaging the clutch "locks" the winch drum back onto the gear train.

Contactor: Using electrical power from the vehicle's battery, the contactor switches power to the motor, enabling the operator to change the direction of the winch drum rotation. * **The AXON winch contactor is integrated with the winch motor.**

Remote Socket (AXON winch): The remote socket is where the operator plugs in the wired remote control in order to control the winch.

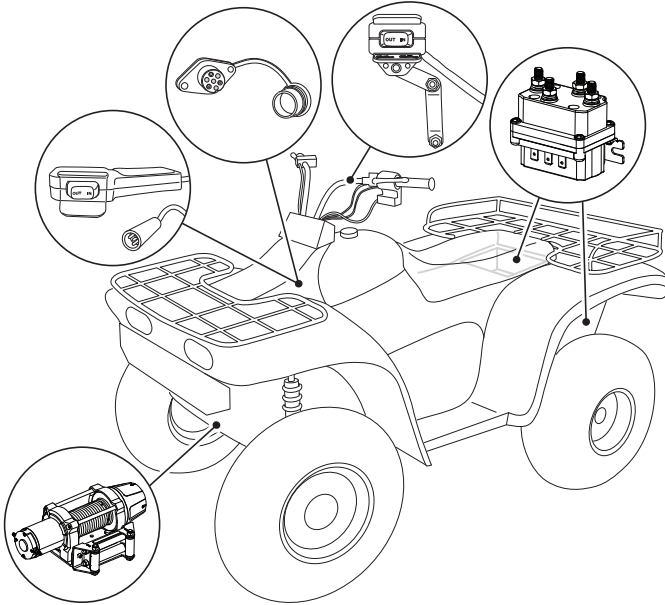
KNOW YOUR COMPONENTS



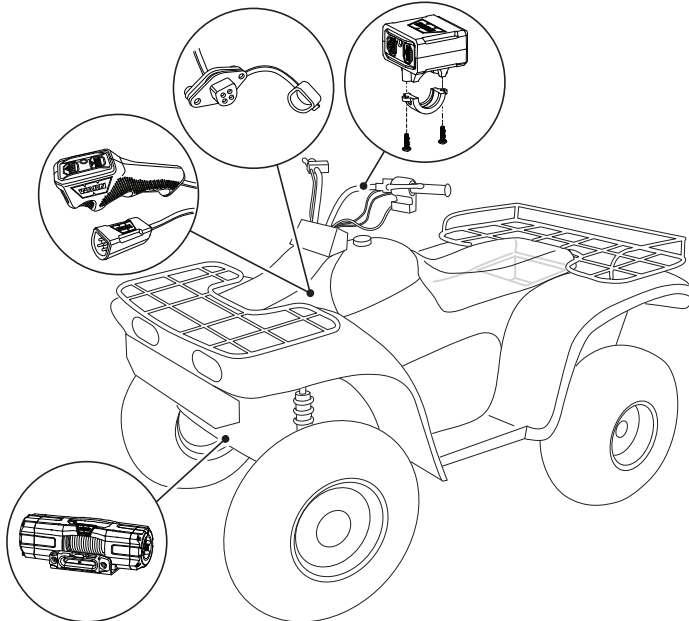
BEFORE YOU BEGIN, take time to fully read all instructions and safety information before installing and operating your winch.

STEP 1: IDENTIFY MOUNTING LOCATIONS

VRX



AXON



MOUNTING

STEP 2: MOUNT YOUR WINCH

⚠ WARNING Always choose a mounting location that is sufficiently strong to withstand the maximum pulling capacity of your winch.

⚠ WARNING Always position fairlead with warning readily visible on top.

⚠ WARNING Always use class 8.8 metric (grade 5) or better hardware.

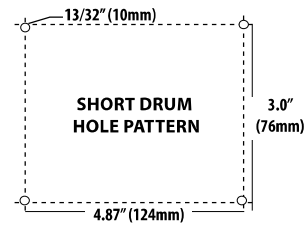
⚠ WARNING Never weld mounting bolts.

⚠ WARNING Always confirm required bolt length to ensure proper thread engagement.

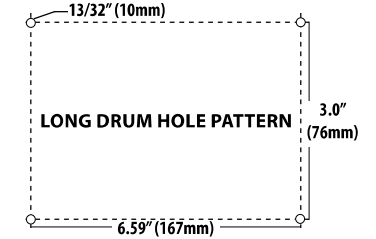
⚠ WARNING Always complete the winch installation and hook attachment before installing the wiring.

WINCH MOUNTING

VRX 25 / 35 - AXON 35

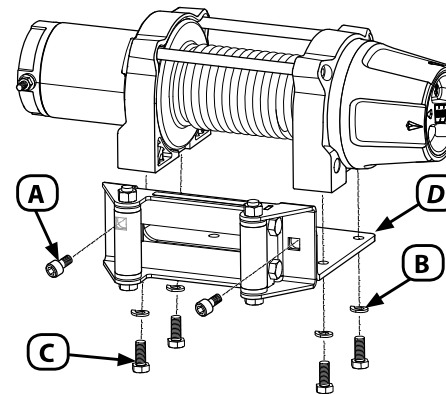


VRX 45 - AXON 45 / 55

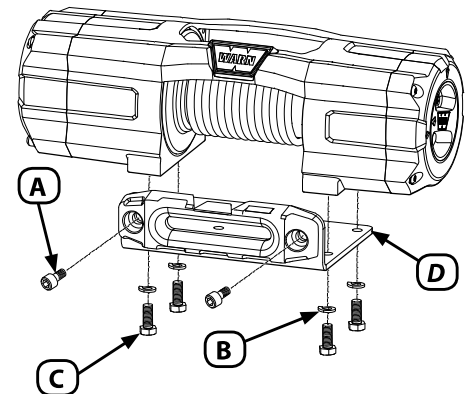


Item	Qty	Description
A	2	M10 x 15
B	4	M8
C	4	M8 x 1.25 x 25
D	1	SOLD SEPARATELY

VRX



AXON



T 24.5 Nm (18 ft. lbs.)

MOUNTING

STEP 3: MOUNT YOUR REMOTE EQUIPMENT

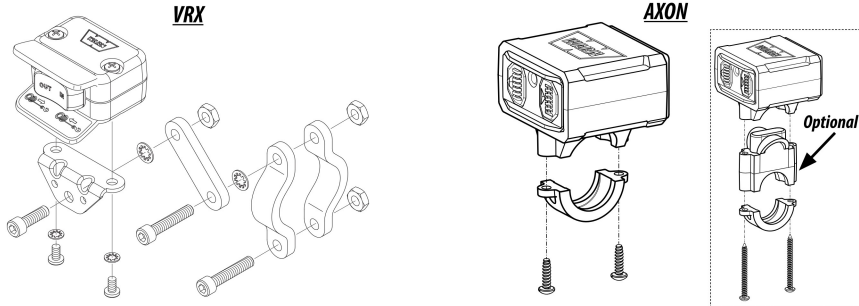
1. Disconnect the vehicle battery cables, negative terminal first. All work with electrical wires and cables must be completed with the battery completely disconnected from the vehicle wiring.

⚠ WARNING TO AVOID INJURY AND PROPERTY DAMAGE: Use caution if moving or repositioning the vehicle controls so as to not compromise the safe operation of the vehicle.

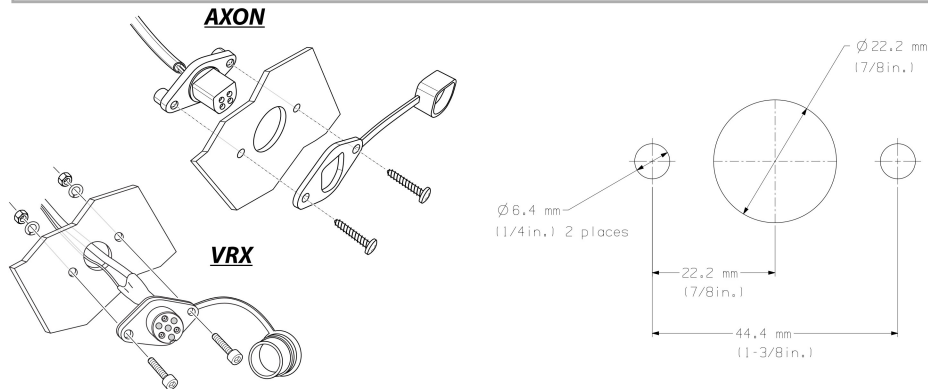
Select a mounting position that will provide clearance for all vehicle controls.

Before securing the switch cable with tie wraps, make sure that the handlebars have full range of motion.

HANDLEBAR SWITCH MOUNTING

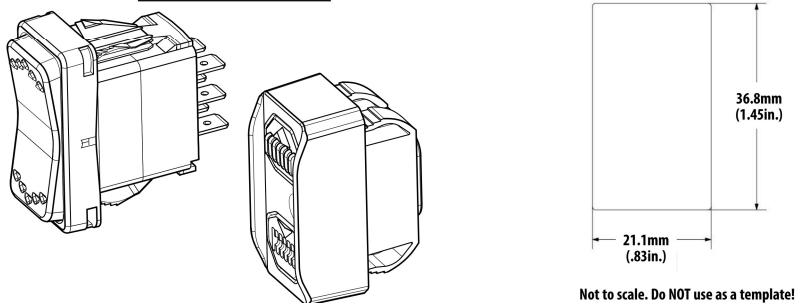


REMOTE SOCKET MOUNTING



DASH SWITCH MOUNTING

VRX 45 - AXON 45 / 55



Not to scale. Do NOT use as a template!

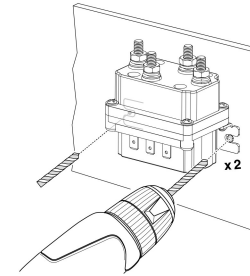
ELECTRICAL CONNECTIONS

STEP 4: MOUNT YOUR CONTACTOR (VRX Winch Only)

⚠ WARNING Never mount contactor with electrical terminals touching metal objects.

⚠ WARNING Always verify area is clear of fuel lines, fuel tank, brake lines, electrical wires, etc., when drilling.

CONTACTOR MOUNTING (VRX Winch Only)



STEP 5: WIRING YOUR EQUIPMENT

⚠ WARNING Always remove jewelry and wear eye protection when making battery connections.

⚠ WARNING Never route electrical cables through or near moving parts.

⚠ WARNING Always insulate and protect all exposed wiring and electrical terminals.

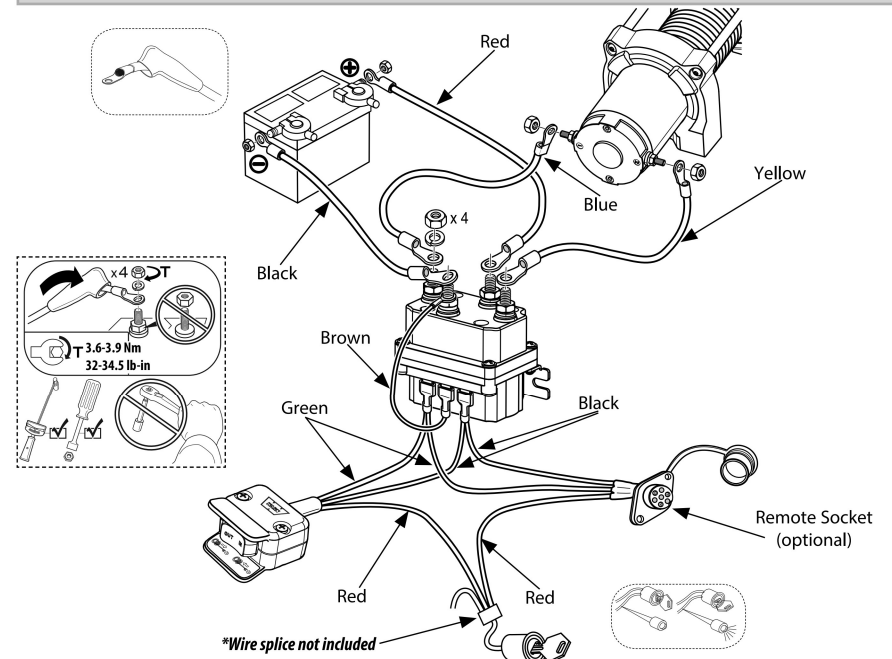
⚠ WARNING Always place the supplied terminal boots on wires and terminals.

⚠ WARNING Never route electrical cables across sharp edges.

⚠ WARNING Never route electrical cables near parts that get hot.

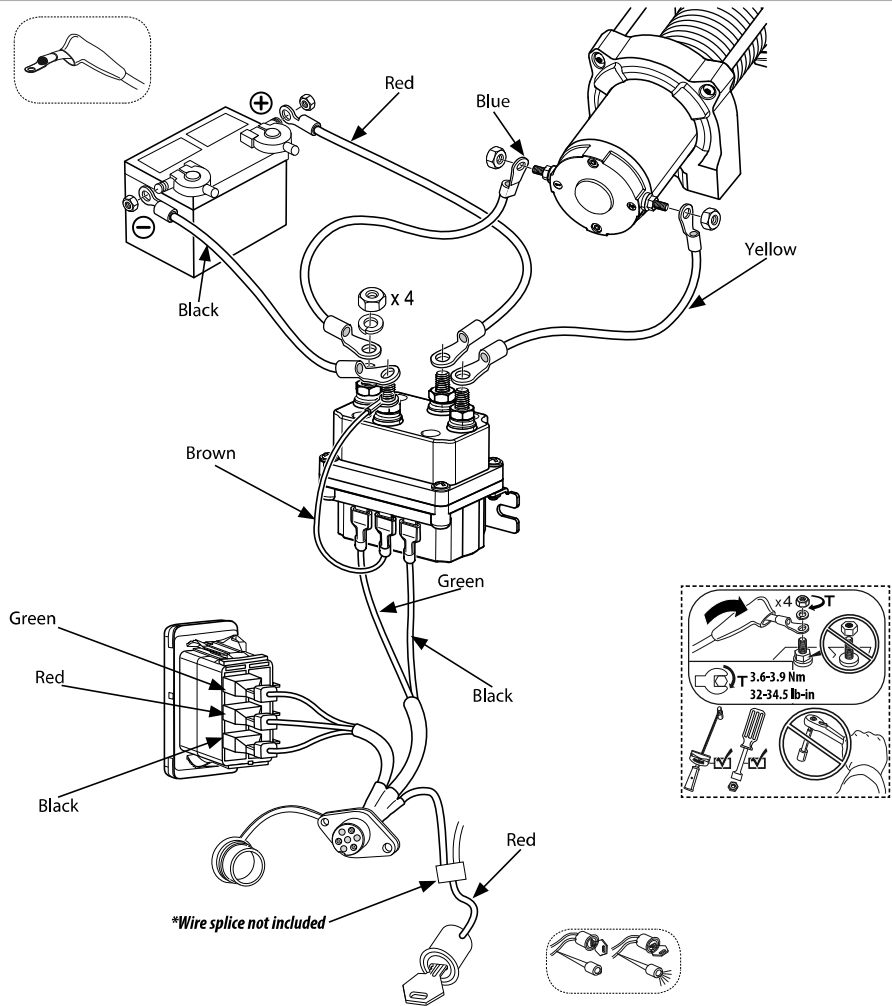
⚠ WARNING Never route electrical cables over battery terminals.

VRX 25 / 35



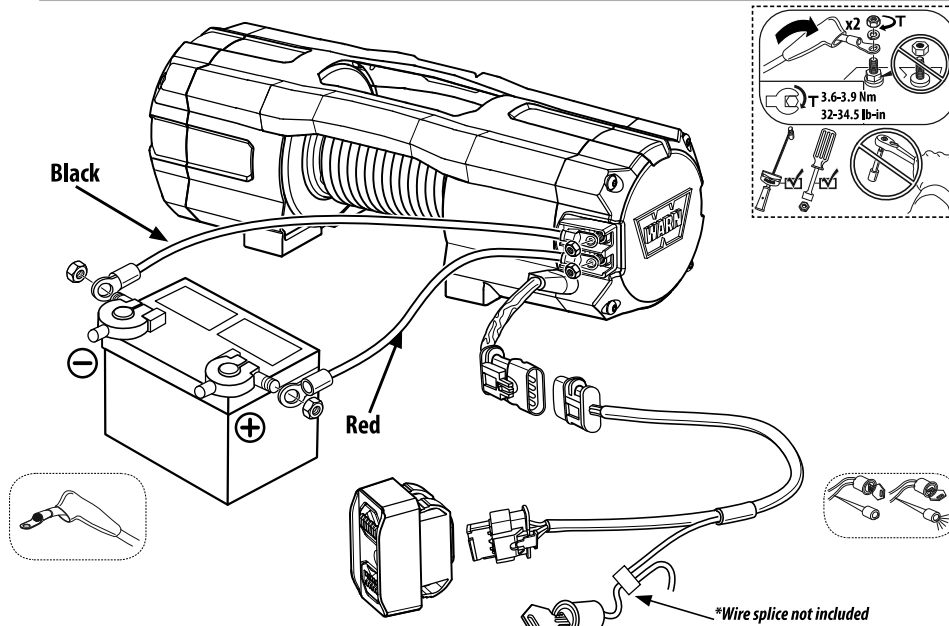
ELECTRICAL CONNECTIONS

VRX 45

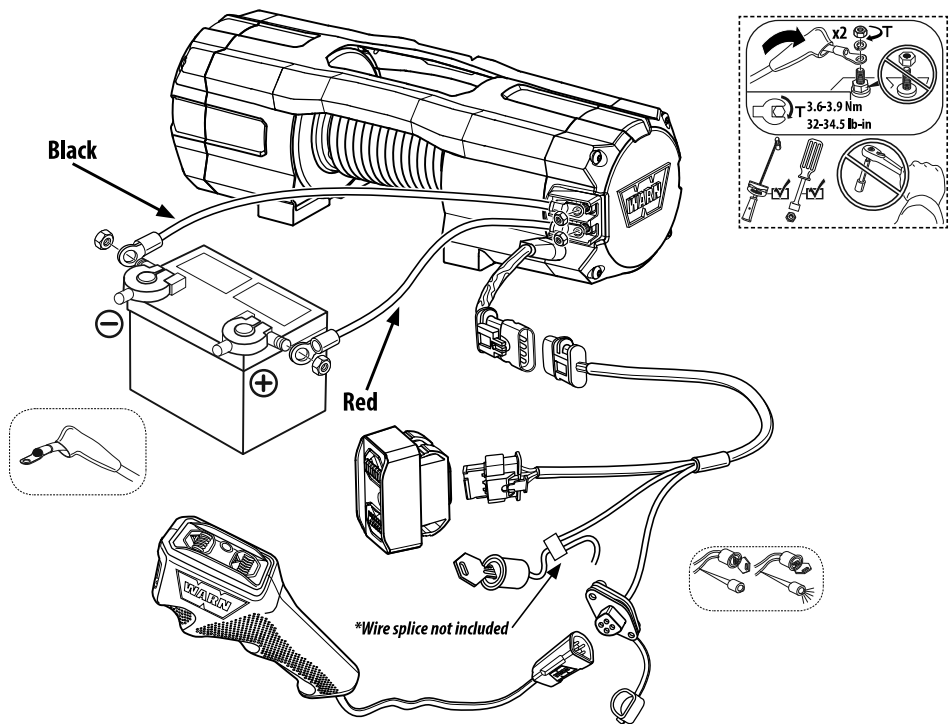


ELECTRICAL CONNECTIONS

AXON 35



AXON 45/55



Step 3: System Check

⚠ WARNING Always connect red (+) power cable ONLY to the positive (+) terminal of the battery.

⚠ WARNING Always connect black ground (-) power cable ONLY to the negative (-) terminal of the battery.

Perform system check:

1. Check fasteners and make sure they are tight and to proper torque.
2. Verify all electrical wiring to all components is correct and be certain that all connections are tight.
3. Verify there is no exposed/bare wiring, terminals or cable insulation damage.
4. Read The Basic Guide to Winching Techniques completely before operating your winch (www.warn.com).

Once you have performed a system check, you are ready to perform "First Time Operating Instructions".

Step 4: First Time Operating Instructions

In this section, we'll show you the first time operating instructions for effective basic winching. For complete winch operation and techniques read the Basic Guide to Winching Techniques found online at www.warn.com.

⚠ WARNING Never use winch as a hoist or to suspend a load.



⚠ WARNING Never use winch to lift or move persons.



Remote Control:

⚠ WARNING Always keep wired remote control lead and power cord clear of the drum, rope, and rigging. Inspect for cracks, pinches, frayed wires or loose connections. Damaged components must be replaced before operation.

⚠ WARNING Never leave remote control where it can be unintentionally activated.

⚠ WARNING Never leave the winch remote control plugged in when installing, freespooling, rigging, servicing or when the winch is not being used.

The remote control provides control of the power-out (forward) or power-in (reverse) rotation of the spooling drum.

Do not leave the remote plugged into the winch when not in use. Leaving the remote plugged in, may result in accidental activation and/or battery drain.

Clutch Operation:

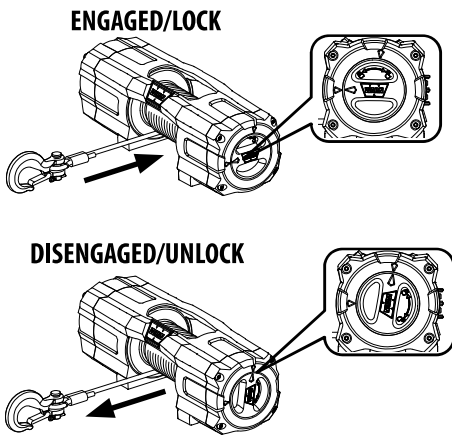
⚠ WARNING Never engage or disengage clutch if winch is under load, winch rope is in tension or drum is moving.

NOTICE Always ensure the clutch is fully engaged or disengaged when operating winch.

The clutch lever is located on the winch housing opposite the motor and controls the clutch position. To prevent damage, always fully engage or fully disengage the clutch lever.

When the clutch is engaged, the gear train is coupled to the winch drum and power can be transferred from the winch motor.

When the clutch is disengaged the drum is in the freespool position and the gear train and winch rope drum are uncoupled allowing the drum to rotate freely.



Spooling Out

⚠ WARNING Never operate winch with less than 5 wraps of winch rope around the drum. Rope could come loose from the drum.

⚠ WARNING Always keep hands clear of winch rope, hook loop, hook and fairlead opening during installation, operation, and when spooling in or out.

⚠ WARNING Always wear heavy gloves when handling winch rope.



Freespooling is generally the quickest and easiest way to spool out winch rope. Before freespooling winch rope out from the winch power-out enough rope to remove any tension on the winch rope. Disengage the clutch. Then manually spool out enough winch rope for the winching operation. See The Basic Guide to Winching Techniques for more information, found online at: www.warn.com.

NOTICE Do NOT power out more than 30ft without allowing the winch to cool for 20 minutes before powering rope back in. Instead, place the clutch in freespool and pull the rope out by hand.

⚠ WARNING Always use supplied hook strap whenever spooling winch rope in or out.



Spooling In Under Load

⚠ WARNING Never exceed winch or winch rope rated capacity.

⚠ WARNING Always know the Working Load Limit (WLL) of your rope.

⚠ WARNING Never exceed the WLL of rope or shock load this rope.

Power-in the winch rope evenly and tightly on the drum. This prevents the outer winch wraps from sinking into the inner wraps, binding, and damaging the winch rope.

Avoid shock loads when spooling by pulsing the control switch to take up winch rope slack. Shock loads can momentarily far exceed the winch and rope ratings.

Spooling In Under No Load

⚠ WARNING Never touch winch rope or hook while someone else is at the control switch, when winch rope is under load or during winching operation.

Spooling with an Assistant: Have the assistant hold the hook strap putting as much constant tension on the winch rope as possible. While keeping tension, the assistant should walk toward the winch while you operate the control switch spooling in the winch rope. Release the switch when the hook is a minimum of 6 ft. (2m) from the fairlead opening.

Spool in the remainder for storage as directed below.

Spooling Alone: Arrange the winch rope to be spooled so it will not kink or tangle when spooled. Be sure any winch rope on the drum is tightly and evenly layered. Spool enough winch rope to complete the next full layer on the drum. Tighten and straighten the layer. Repeat process until the hook is a minimum of 6 ft. (2 m) from the fairlead opening.

Spooling Remainder for Storage

When the hook is within 6 ft. (2 m) of the fairlead, disconnect the hook from the anchor or load. Hold onto the supplied hook strap and hold tension on the winch rope. Slowly power-in the winch by "pulsing" the power-in switch on the remote control until the hook is within 3 ft. (1 m) of the fairlead.

Stop winching in and attach the hook to a suitable anchor point on the vehicle.

NOTICE Do not power the hook into the fairlead. This could cause damage to the fairlead.

Once the hook is suitably attached to the vehicle, power-in the remaining slack in the winch rope by "pulsing" the power-in switch on the remote control until there is minimal slack in the winch rope.

Overloading/Overheating

⚠ WARNING Always be aware of possible hot surfaces at winch motor, drum or rope during or after winch use.

This winch is rated for intermittent duty. When the motor approaches stall speed very rapid heat buildup occurs which may cause motor damage.

Double-line rigging (see The Basic Guide to Winching Techniques) will reduce the amperage draw and reduce heat buildup in the motor. This allows longer continual use.

Load Limiter (AXON Winches)

⚠ WARNING Never engage or disengage clutch if winch is under load, winch rope is in tension or drum is moving.

⚠ WARNING Never touch winch rope or hook while under tension or under load.

Exceeding the AXON winch capacity will cause the load limiter to trip, which

FIRST TIME OPERATING INSTRUCTIONS

interrupts the power to the motor. This prevents overheating and potential motor damage. At 50% of pulling capacity, the remote indicator turns yellow. At 75% of pulling capacity, the remote indicator turns orange. At 90% of pulling capacity the remote indicator turns red. When the pulling capacity is exceeded the load limiter will cause the remote indicator to flash red and the AXON motor to stop. When this occurs, release the load by spooling out. Once the load limiter has tripped, the winch cannot be spooled in until the load limiter is reset by spooling out. Do not attempt to apply the same load if the load limiter has tripped, as this can damage the winch. If the load limiter fails to reset contact an authorized service center.

If the load limiter continues to trip, perform the following actions:

1. Reduce the weight of the load.
2. Increase the distance of the anchor point. The maximum pulling capacity occurs from the first layer of winch rope on the drum. By increasing the distance between the winch and the anchor point, it decreases the layers of winch rope on the drum, therefore increasing the pulling power.

STRETCHING WINCH ROPE

WARNING Always prestretch rope and respool under load before use.

WARNING Always inspect winch rope, hook, and slings before operating winch. Frayed, kinked or damaged winch rope must be replaced immediately. Damaged components must be replaced before operation. Protect parts from damage.

Stretching (tensioning) the winch rope is critical to ensure a long product life. Tensioning the winch rope will prevent outer layers of winch rope from pinching and deforming the inner layers.

During its first use, a new winch rope must be spooled onto its drum under a load of at least 500 lbs. (226 kgs).

Use the following instructions to properly stretch the winch rope onto the winch drum.


WARNING Always wear heavy gloves when handling winch rope.

1. Choose a **FLAT AND LEVEL** location that is large enough to run out almost the entire length of winch rope.

2. Disengage clutch.

WARNING Always keep hands clear of winch rope, hook loop, hook and fairlead opening during installation, operation, and when spooling in or out.

3. Grasp hook strap and spool out the winch rope to the last 5 wraps on the drum.
4. Be sure to check that the winch rope is winding off of the bottom of the drum or the automatic load holding brake will not function properly. **NOTE: If the winch rope is winding off the top of the drum, you have powered the winch "out" instead of "in". Be sure you are powering in.**

WARNING Always wind the winch rope on bottom (mountside) of drum. 

NOTICE For proper function of the winch brake, the winch rope must be spooled onto the drum in the specified direction. *See drum rotation label located on winch.

5. Once the winch rope is spooled out, engage clutch.

WARNING Always ensure hook latch is closed. 

WARNING Always apply load only to the center of hook.

WARNING Never apply load to hook tip or use hook that is bent or twisted.

6. Attach the hook end of the rope to a suitable anchor point.

WARNING Always remove any obstacle that may interfere with safe operation of the winch.

WARNING Never wrap winch rope back onto itself. Use a chain or strap on the anchor. 

WARNING Always be certain the anchor you select will withstand the load and the strap or chain will not slip.

7. Return to your vehicle.
8. Back the vehicle away from the anchor point until there is very little slack in the winch rope.

FIRST TIME OPERATING INSTRUCTIONS

9. Set the parking brake, place the vehicle in gear or park and turn the vehicle off.

WARNING Always stand clear of winch rope and load and keep others away while winching.

10. Exit vehicle. **WARNING! Never exit the vehicle with a load on the winch rope.** While standing approximately 8 ft. (2.44 m) away from the winch, power-in the winch until all of the slack is wound onto the winch drum.

WARNING Never touch winch rope or hook while someone else is at the control switch, when winch rope is under load or during winching operation.

WARNING Never let winch rope slip through your hands.

11. With gloves on, hold tension on the winch rope with one hand, carefully push the winch rope to the side of the drum the winch rope is attached to so there are no gaps between each coil on the drum.
12. The following steps should be done using two people for proper safety. If you attempt to tension your winch rope alone be sure to always set the parking brake, place the transmission in gear or park and turn the vehicle off every time you exit the vehicle to inspect the winch rope. **NOTICE** Use care to evenly wrap each layer to prevent damage to the rope.

WARNING Never use remote when vehicle is not in line of sight of operator.

13. The driver of the vehicle should operate the winch.
14. Instruct your assistant to stand to the side of the vehicle and away from the winch rope. **NOTE: Your assistant should signal you if the winch rope is winding correctly or incorrectly by watching it move across the fairlead as the winch rope is powered in.**
15. Start the vehicle and place the transmission in neutral. Then release the parking brake while applying moderate brake pedal pressure.
16. Power-in the winch rope to start winching in.
17. After winching in for approximately 6 ft. (2m), stop winching.
18. Slowly let up off of the brake pedal and then apply the parking brake. This will

ensure that there is no load on the winch rope.

19. Place the transmission in park or in gear and turn the vehicle off.
20. Exit the vehicle and inspect the winch to make sure that the winch rope is being evenly wound onto the winch drum and not sinking into the lower layer. If the winch rope is sinking, power-out the winch rope by pushing the power-out button on the remote control and repeat this step from the beginning with more brake pedal pressure.
21. When you are convinced the winch rope is winding onto the winch drum properly, repeat steps until the vehicle is within 6 ft. (2 m) of the winch anchor. Once within 6 ft. (2 m), slowly let up off of the brake pedal and then apply the parking brake. This will ensure that there is no load on the winch rope. Then place the transmission in park or in gear and turn the vehicle off.
22. Exit the vehicle. Disconnect the hook from the anchor.
23. While holding onto the supplied hook strap, hold tension on the winch rope and slowly power-in the winch by "pulsing" the power-in button on your remote control until the hook is within 3 ft. (1 m) of the fairlead.
24. Stop winching in and attach the hook to a suitable storage point on the vehicle.
25. Once the hook is suitably attached to the vehicle, power-in the remaining slack in the winch rope by "pulsing" the power-in button on your remote control until there is minimal slack in the winch rope.

NOTICE Do not power the hook into the fairlead. This could cause damage to the fairlead.

RIGGING

For complete rigging fundamentals, Read the Basic Guide to Winching Techniques, found online at: www.warn.com.

SYNTHETIC ROPE CARE

Synthetic Rope Care:

Cleaning:

- Use low pressure water to clean synthetic rope. Do not use any chemicals.
- Do not direct high pressure water (pressure washers, car washes, etc.) directly between the drum support and drum flange or clutch lever.
- Use low pressure water and a soapy rag or sponge to clean the winch.
- Avoid using chemicals that may damage the finish.
- Thoroughly clean salt residue from the winch as soon as possible to minimize corrosion.

Rope Inspection:

⚠ WARNING Always inspect winch rope, hook, and slings before operating winch. Frayed, kinked or damaged winch rope must be replaced immediately. Damaged components must be replaced before operation. Protect parts from damage.

When rope is first used, the outer filaments of the rope will quickly fuzz up. This is the result of these filaments breaking and this roughened surface will actually protect the fibers underneath. The condition should stabilize, not progress. If the surface roughness increases, excessive abrasion is taking place and strength is being lost.

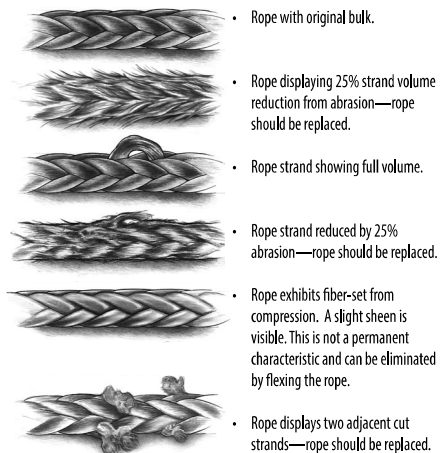
Look closely at both the inner and outer fibers. When either is worn the rope is obviously weakened. Open the strands and look for powdered fiber—this is a sign of internal wear.

Localized discolorations could potentially represent chemical attack by anything from gear oil to battery acid. When doubt exists, replace the rope.

Rope should be replaced when:

- Rope bulk anywhere along the length is reduced by 10% or more by abrasion.
- Two or more adjacent strands are cut.
- Flat areas or lumps are found that are not eliminated by flexing rope.

- Excessive fused or melted fibers are found. Any such areas will be stiff and the rope will have a glazed appearance.



FINAL ANALYSIS AND MAINTENANCE

Check	Before first operation	After each use	Every 90 days
Take time to fully read the Instructions and/or Operations Guide, and/or Basic Guide to Winching Techniques, in order to understand your winch and its operations	X		
Check fasteners and make sure they are tight and to proper torque. Replace damaged fasteners.	X		X
Verify wiring to all components is correct and be certain that all connections are tight.	X		X
Verify there is no exposed/bare wiring, terminals or cable insulation damage (chafing/cutting). Cover any exposures with terminal boots. Repair or replace damaged electrical cable.	X		X
Inspect winch rope, hook, heat sleeve and slings. Frayed, kinked or damaged winch rope must be replaced immediately. Damaged components must be replaced before operation.	X	X	X
Keep winch, rope and switch control free from contaminants. Use a clean rag or towel to remove any dirt and debris.		X	
If winch is submerged in water: Power winch rope out and back in about 30 feet. Follow the "Stretching Winch Rope" procedure, in order to dry out winch.	x	x	

Take time to fully understand your winch and the winching operation by reviewing the Basic Guide to Winching Techniques found online at:

www.warn.com

For further information or any questions contact:

WARN INDUSTRIES, INC.
12900 S.E. Capps Road, Clackamas
OR USA 97015-8903, 1-503-722-1200,
Customer Service: 1-800-543-9276
Dealer Locator Service: 1-800-910-1122
Or visit www.warn.com.

Don't forget to register your new product at:

www.WARN.com/register



WARN® VRX AND AXON PRODUCTS

LIMITED LIFETIME WARRANTY FOR MECHANICAL COMPONENTS

LIMITED THREE (3) YEAR WARRANTY FOR ELECTRICAL COMPONENTS

Warn Industries, Inc. (Warn) warrants to the original purchaser that (a) the mechanical components of the WARN VRX and Axon Winch will be free of defects in material and workmanship for the lifetime of the winch, and (b) the electrical components will be free of defects in material and workmanship for a period of three (3) year from the original date of purchase. This Warranty applies only to the original purchaser of the winch.

Products covered by this warranty:

- VRX and Axon Winch Product

To obtain warranty service:

- Call Warn Customer Service at 1-800-543-9276 for warranty claim information.
- Provide proof of purchase with a copy of a dated sales receipt and original bill of sale clearly showing the WARN Product purchased.
- Make the claim within the Warranty period.
- Attach your name, address, telephone number, a description of the problem, and a copy of your receipt and original bill of sale to the product.
- Return the Product, transportation charges prepaid, to the Warn Industries Service Department at 12900 SE Capps Rd., Clackamas, Oregon. OR Find the nearest Warn Authorized Service Center by visiting: www.warn.com/corporate/authservicecenters.shtml.

Warn will, at its option, repair, replace or refund the purchase price of a defective Product or component.

Items not covered by this Warranty include: the removal or re-installation of the Product, wire rope, synthetic rope and Product finish.

This warranty does not apply if the Product has been damaged by accident, abuse, misuse, collision, overloading, modification, misapplication, improper installation, or improper service. This warranty is void if any Warn serial number or date code has been removed or defaced. Commercial or industrial use or application, or any hoisting application of the Product, voids the warranty.

THE WARRANTY SET FORTH ABOVE IS THE ONLY WARRANTY. THERE ARE NO OTHER WARRANTIES, EXPRESS OR IMPLIED, INCLUDING BUT NOT LIMITED TO IMPLIED WARRANTIES OF MERCHANTABILITY OR FITNESS FOR A PARTICULAR PURPOSE.

ANY IMPLIED WARRANTY WHICH BY LAW MAY NOT BE EXCLUDED IS LIMITED IN DURATION TO ONE (1) YEAR FROM THE DATE OF ORIGINAL RETAIL PURCHASE OF THE PRODUCT.

WARN SHALL NOT BE LIABLE FOR SPECIAL, INDIRECT, INCIDENTAL OR CONSEQUENTIAL DAMAGES (INCLUDING, BUT NOT LIMITED TO, LOST PROFITS, DOWN TIME OR LOSS OF USE) UNDER ANY LEGAL THEORY, EVEN IF WARN WAS ADVISED OF THE POSSIBILITY OF SUCH DAMAGES.

Some states do not allow the exclusion of implied warranties or the exclusion or limitation of liability for incidental or consequential damages, or limitations on how long an implied warranty lasts, so the above limitation or exclusion may not apply to you. This warranty gives you specific legal rights. You may also have other rights that vary from state to state.

Warn reserves the right to change Product design without notice. In situations in which Warn has changed a Product design, Warn shall have no obligation to upgrade or otherwise modify previously manufactured Products.

No WARN dealer, agent or employee is authorized to make any modification, extension or addition to this warranty.

This warranty is valid only in the U.S.A. and Canada. For warranty outside the U.S.A. and Canada contact your local Point of Sale Retailer.

To find the nearest retailer to your location please visit our website at <http://www.warn.com/corporate/dealerlocator.jsp> or contact us at 1-503-722-1200 or 1-503-722-3000 (Fax).



WARN® International Product Warranty

Warn Industries, Inc. (WARN) warrants its products sold outside the United States and Canada to be free of defects in material and workmanship through WARN local Authorized Distributors and Dealers.

All warranty inquiries outside the United States and Canada for WARN® Products should be directed to your local Point of Sales Retailer.

To find the nearest retailer to your location please visit our website at <http://www.warn.com/corporate/dealerlocator.jsp> or contact us at 1-503-722-1200 or 1-503-722-3000 (Fax).

Specific details of the warranty may vary based on local laws and regulations.

This Warranty applies only to the original purchaser of the Products. To obtain any warranty service, you must provide proof of purchase, such as a copy of your purchase receipt. This warranty does not cover the removal or reinstallation of the Product. WARN will, at its option, repair, replace or refund the purchase price of a defective Product or component, provided you return the defective Product or component during the warranty period, transportation charges prepaid, to an Authorized Service Center. Attach your name, address, telephone number, a description of the problem, and a copy of your receipt and original bill of sale bearing the WARN part number of the defective Product and date of purchase.

This warranty does not apply if the Product has been damaged by accident, abuse, misuse, collision, overloading, modification, misapplication, improper installation, or improper service. This warranty is void if any WARN serial number or Manufacturer date code has been removed or defaced.

THERE ARE NO OTHER WARRANTIES, EXPRESS OR IMPLIED, INCLUDING BUT NOT LIMITED TO IMPLIED WARRANTIES OF MERCHANTABILITY OR FITNESS FOR A PARTICULAR PURPOSE.

WARN SHALL NOT BE LIABLE FOR SPECIAL, INDIRECT, INCIDENTAL OR CONSEQUENTIAL DAMAGES (INCLUDING, BUT NOT LIMITED TO, LOST PROFITS, DOWN TIME OR LOSS OF USE) UNDER ANY LEGAL THEORY, EVEN IF WARN WAS ADVISED OF THE POSSIBILITY OF SUCH DAMAGES.

WARN reserves the right to change Product design without notice. In situations in which WARN has changed a Product design, WARN shall have no obligation to upgrade or otherwise modify previously manufactured Products. No WARN dealer, agent or employee is authorized to make any modification, extension or addition to this warranty.

Warranty inquires and Products returned for warranty service should be sent to:

WARN INDUSTRIES, INC. 12900 S.E. Capps Road,
Clackamas, OR USA 97015-8903, 1-503-722-1200, FAX: 1-503-722-3000
Customer Service: 1-800-543-9276
Dealer Locator Service: 1-800-910-1122
International Fax: 1-503-722-3000
www.warn.com