



# SERIES G2 PRODUCT DATA SHEET

MODEL	PART NUMBER	MOTOR TYPE
SG2 18-A-6.0H-10DL-WR00-MC	105660	Hydraulic 6.0 ci
SG2 18-C-6.0H-10DL-WR00-MC	105665	Hydraulic 6.0 ci
SERIAL NUMBER	INSPECTED BY	DATE

ENGINEERING DATA		
Rated Pulling Force:	18000 lbf	8165 kgf
Drum Barrel Diameter:	4 in	101.6 mm
Drum Flange Diameter:	8.24 in	209.3 mm
Drum Width:	9.95 in	252.7 mm
Evaluated Rope Diameter:	1/2 in	12.7 mm
Maximum Wire Rope Diameter:	1/2 in	12.7 mm
Minimum Wire Rope Breaking Strength:	26600 lbf	12065 kgf
Maximum Layers of Wire Rope:	3 with 1/2in rope	
Gear Train:	Planetary	
Gear Reduction:	36:1	
Mounting Bolt Size:	M12 X 1.75 Class 8.8	
Mounting Bolt Torque:	46-51 lbf-ft	63-69 Nm
Duty Cycle (per SAE J706 section 6.2):	296 ft	90.2 m
Approximate Shipping Weight:	88.1 lbf	40.0 kg
Brake Type:	Automatic Disk Brake per SAE J706 Sec. 4.2	
Sealing:	IP68/IP69K	
UV Rating:	1200 kJ/m <sup>2</sup> per ASTM G154	
Corrosion Resistance:	408 hrs per ASTM B117	
Operating Temperature:	-40°F to 158°F (-40°C to 70°C)	
Decibels:	85.5 dB	
EMC Emissions:	N/A	
EMC Immunity:	N/A	



## DESCRIPTION

SeriesG2 Hydraulic winches provide a more robust and serviceable design with a stronger gear train for increased performance. Less maintenance and less downtime means more work.

## ACCESSORIES

SeriesG2 winches represents an all-new level of modular design, customization, and versatility, no matter the application. Please visit [www.warn.com/industrial](http://www.warn.com/industrial) for all available accessories and options.

## STANDARDS COMPLIANCE

2006/42/EC - EN ISO 12100:2010, EN 60529:1992+A2:2013, EN 14492-1:2006\*  
 2014/30/EU - EN 50498:2010, ISO 7637-2:2011, CISPR 25  
 2011/65/EU - EN 63000:2018

Also complies with:  
 SAE J706

\*Conforms with exceptions

## PERFORMANCE BY LAYER

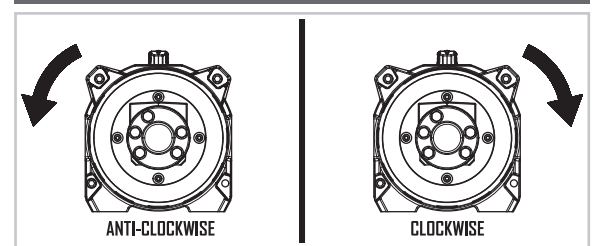
DRUM LAYER	LINE LOAD*			LINE SPEED 10 GPM		LINE SPEED 15 GPM	
	lbf	kgf	kN	ft/min	m/min	ft/min	m/min
1	18000	8165	80.1	13	3.9	21	6.3
2	14727	6680	65.5	15	4.7	25	7.7
3	12462	5652	55.4	18	5.6	30	9.1

\*Never exceed the Rated Pulling Force. Installation of a Rated Capacity Limiter is recommended

## FIRST LAYER PERFORMANCE

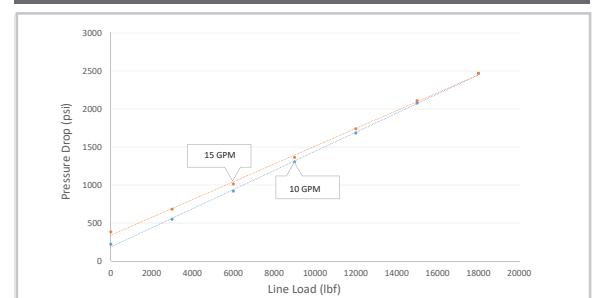
LINE LOAD		PRESSURE DROP AT 10 GPM		PRESSURE DROP AT 15 GPM		DUTY CYCLE
lbf	kgf	psi	BAR	psi	BAR	min/10min
0	0	221	15.2	382	26.4	
3000	1361	550	37.9	682	47.0	
6000	2722	919	63.3	1014	69.9	
9000	4082	1302	89.8	1363	94.0	
12000	5443	1683	116.0	1739	119.9	
15000	6804	2077	143.2	2109	145.4	
18000	8165	2468	170.2	2469	170.2	

## DRUM ROTATION



As viewed from motor end

## FIRST LAYER PERFORMANCE





# SERIES G2 PRODUCT DATA SHEET

MODEL	PART NUMBER	MOTOR TYPE
-------	-------------	------------

SG2 18-A-6.0H-10DL-WR00-MC	105660	Hydraulic 6.0 ci
SG2 18-C-6.0H-10DL-WR00-MC	105665	Hydraulic 6.0 ci

## DRUM LAYER CAPACITY PER EVALUATED ROPE DIAMETER

DRUM LAYER	DRUM LENGTH							
	6.5"		8"		10"		12.5"	
	ft	m	ft	m	ft	m	ft	m
1	16	4.9	16	4.9	20	6.1	27	8.2
2	36	11.0	36	11.0	45	13.7	61	18.6
3	60	18.3	60	18.3	75	22.9	100	30.5

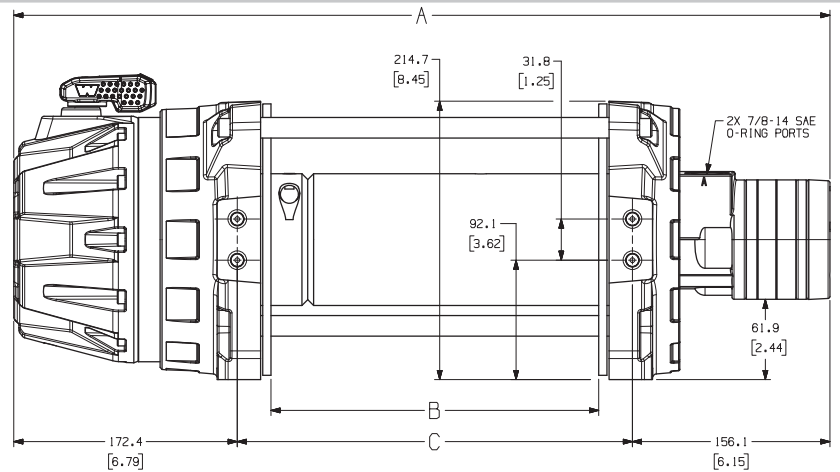
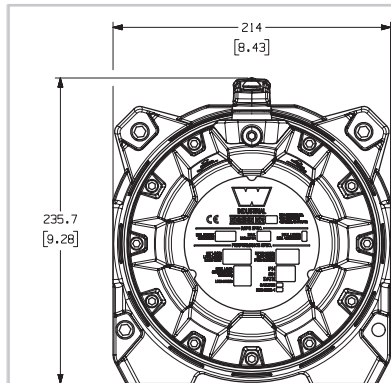
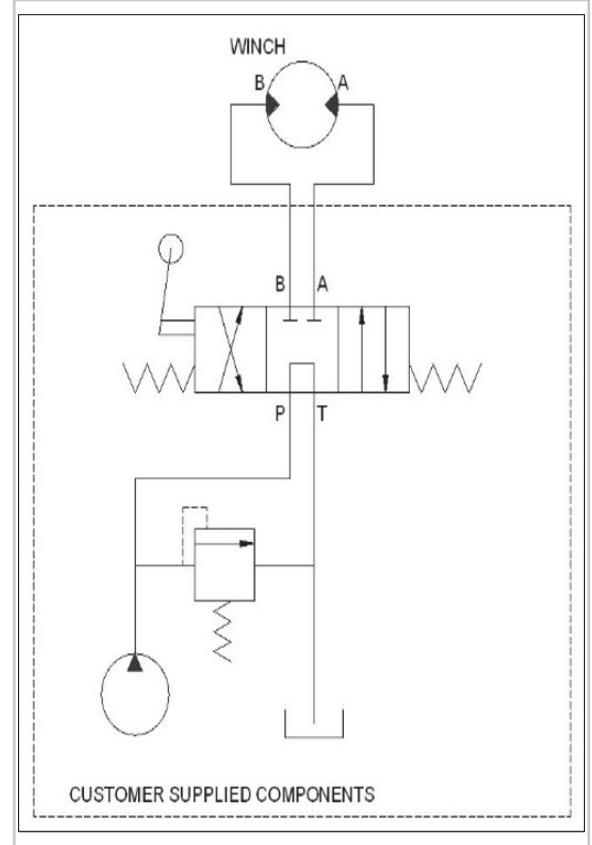
## TOTAL DRUM CAPACITY

ROPE DIAMETER	DRUM LENGTH							
	6.5"		8"		10"		12.5"	
	ft	m	ft	m	ft	m	ft	m
1/2	60	18.3	60	18.3	75	22.9	100	30.5

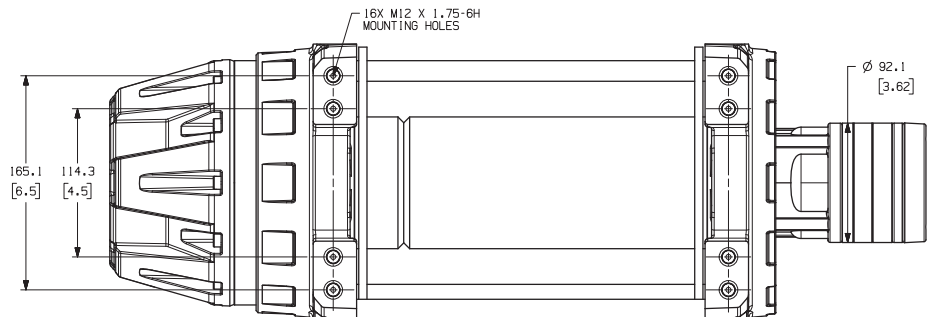
## HYDRAULIC SYSTEM SPECIFICATIONS

Maximum System Pressure:	2500 psi	172 BAR
Maximum Motor Pressure Drop:	2124.8 psi	146.5 BAR
Maximum Rated Input Flow:	15 GPM	57 LPM
Maximum Rated Input Speed:	630	RPM
Control Valve Type:	Tandem Center	

## CONTROL VALVE SCHEMATIC



DRUM SIZE	UNITS	A	B	C
6.5" Drum	mm	544.3	163.8	215.8
	in	21.43	6.45	8.50
8" Drum	mm	582.4	201.9	253.9
	in	22.93	7.95	10.00
10" Drum	mm	633.2	252.7	304.7
	in	24.93	9.95	12.00
12.5" Drum	mm	696.7	316.2	368.2
	in	27.43	12.45	14.50



**WARN INDUSTRIES, INC**  
INDUSTRIAL PRODUCTS

Customer Service (North America): 1.800.543.9276  
Customer Service (International): 1.503.722.3008  
www.warn.com

12900 S.E. Capps Road,  
Clackamas, OR USA 97015

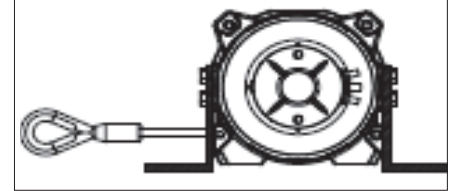
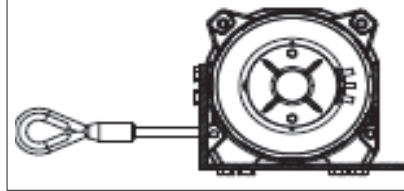
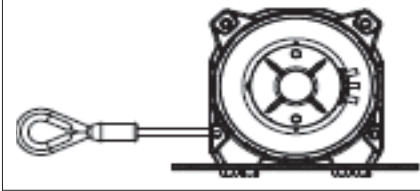


## MOUNTING CONFIGURATIONS

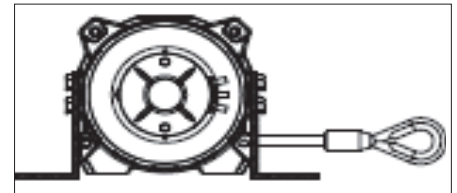
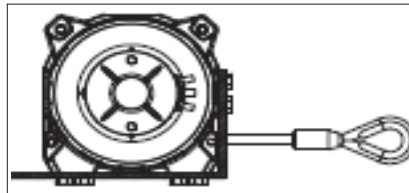
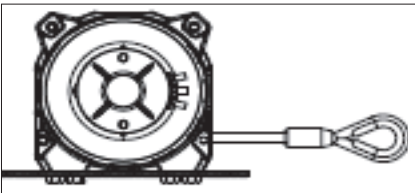
MODEL	PART NUMBER	MOTOR TYPE
SG2 18-A-6.0H-10DL-WR00-MC	105660	Hydraulic 6.0 ci
SG2 18-C-6.0H-10DL-WR00-MC	105665	Hydraulic 6.0 ci

ALL MOUNTING MUST BE OBSERVED FROM MOTOR END

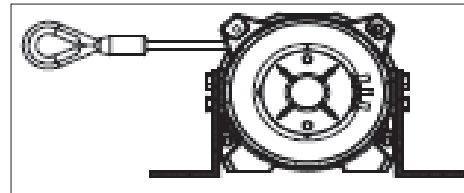
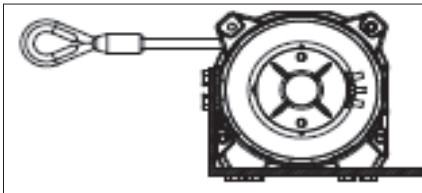
### FEET DOWN, ROPE UNDER DRUM, COMING IN FROM THE LEFT (DUL) - ANTI-CLOCKWISE ROTATION



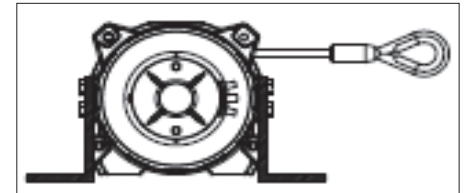
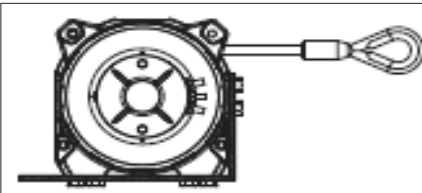
### FEET DOWN, ROPE UNDER DRUM, COMING IN FROM THE RIGHT (DUR) - CLOCKWISE ROTATION



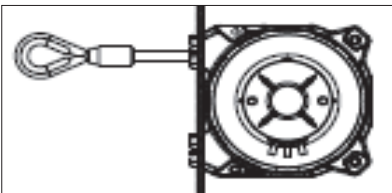
### FEET DOWN, ROPE OVER DRUM, COMING IN FROM THE LEFT (DOL) - CLOCKWISE ROTATION



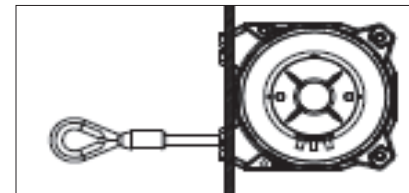
### FEET DOWN, ROPE OVER DRUM, COMING IN FROM THE RIGHT (DOR) - ANTI-CLOCKWISE ROTATION



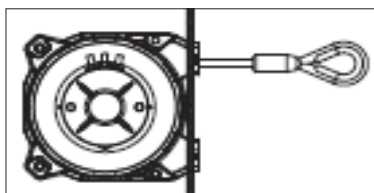
### FEET FORWARD, ROPE OVER DRUM, COMING IN FROM THE LEFT (FOL) - CLOCKWISE



### FEET FORWARD, ROPE UNDER DRUM, COMING IN FROM THE LEFT (FUL) - ANTI-CLOCKWISE



### FEET FORWARD, ROPE OVER DRUM, COMING IN FROM THE RIGHT (FOR) - ANTI-CLOCKWISE



### FEET FORWARD, ROPE UNDER DRUM, COMING IN FROM THE RIGHT (FUR) - CLOCKWISE

