



ZEON-12 PLATINUM WINCH

Part Number: 92820

Rated Line Pull: 12,000 lbs. (5443 kgs)

Motor: 12V DC, Series Wound

Controls: Advanced Wireless Remote Control

Gear Train: 3-Stage Planetary

Gear Ratio: 216:1

Clutch (Freespool): Rotating Ring Gear

Brake: Automatic Direct Drive Cone

Drum Diameter/length: 3.15"/9.3" (8.0cm/23.6cm)

Kit Shipping Weight: 103 lbs (46.7 kgs)

Rope: Wire rope, Ø 3/8" x 80' (Ø 9.5mm x 24.4m)

Fairlead: Roller

Recommended Battery: 650CCA Minimum for winching

Duty Cycle: Intermittent

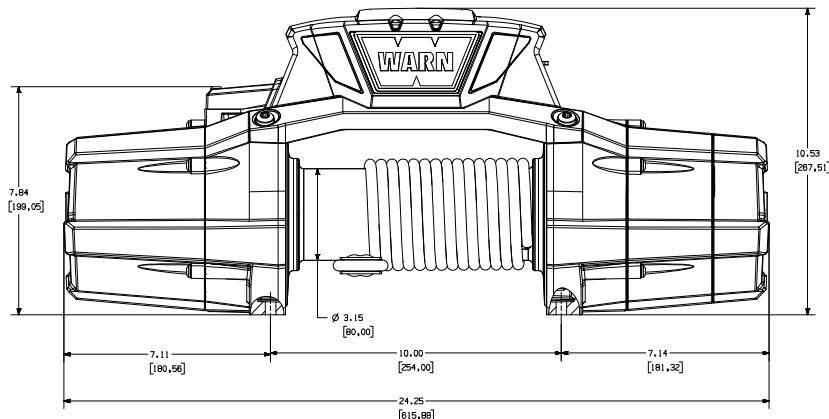
Battery Leads: 2 GA, 72" (1.83m)

Finish: Black Powder Coat

Warranty: Limited Lifetime

Mounting Bolt Pattern: 10.0" x 4.5" (254mm x 114.3mm)

Winch Dimensions: 24.25 L x 7.14" D x 10.52" H (615.9mm L x 181.6mm D x 267.1mmH)



SERVICE INSTRUCTIONS

Should you encounter a problem during installation or operation of your winch, please follow these steps toward resolving the problem:

1. Refer to your operator's guide and installation instructions. It has illustrations and detailed information on the installation and safe and proper operation of your winch. It also includes a replacement parts list and assembly diagrams. If you are unable to resolve the problem, then go to step 2.
2. Contact your dealer where you purchased your winch. If, after discussing the problem with their parts and service staff, you are still unable to resolve the problem then go to step 3.
3. Call an Authorized WARN Service center from the list provided on the back of the warranty sheet included with the product. When calling, please have the following information available: winch model number and purchase date, make, model and year of vehicle.
4. If you are unable to resolve the problem to your satisfaction, please call Warn Industries Customer Service at: 1-800-543-9276. When calling, please have the following information available: winch model number and purchase date, make, model and year of vehicle. You may also contact Warn Industries by visiting our website: www.warn.com

SERVICE/UPGRADE KITS

	PN#	ITEM	QTY	DESCRIPTION
KIT 1	93338	(2)	1	S/P ASSY_ULT PERF_TRANS_216
		(3)	1	S/P ASSY_END HOUSING_ULT PERF
		(4)	1	S/P END CAP
		(5)	1	S/P REMOTE CLUTCH ASSY
		9	1	S/P, DRUM SUPPORT, GEARTRAIN
		10	1	SUN GEAR, 12T
		11	1	CARRIER ASSY, STAGE 1
		12	1	CARRIER ASSY, STAGE 2
		13	1	WASHER, THRUST
		14	1	CARRIER ASSY, STAGE 3
		17	1	RING GEAR, 75T
19	1	DRIVE SPLINE		
21	1	DRUM DRIVER		
21	1	DRIVE SHAFT		
KIT 2	93036	2	1	S/P ASSY_END HOUSING_ULT PERF END
		3	1	GASKET END CAP
		10	10	TORX, PAN HEAD, M5-0.8X25
		5	1	HOUSING_ULT PERF
		6	1	PAWL STOP
		7	1	ROTATING RING GEAR
		8	1	RETAINING RING
		15	1	GEARTRAIN GASKET
47	1	TORX, PAN HEAD, M5-08X12		
KIT 3	93596	1	1	S/P END CAP
		2	1	END CAP
		3	5	GASKET, END CAP
				TORX, PAN HEAD, M5-0.8X25
KIT 4	93038	4	1	S/P ASSY_REMOTE CLUTCH

	PN#	ITEM	QTY	DESCRIPTION
KIT 5	89239	3	5	S/P DRUM SUPPORT_GEARTRAIN
		15	1	TORX, PAN HEAD, M5-0.8X25
		16	1	GEARTRAIN GASKET
		18	1	DRUM SUPPORT, GEARTRAN PER
		20	1	DRUM SEAL DRUM BUHSING
KIT 6	93040	18	1	S/P ASSY_MOTOR_HIGH OUPUT
		25	1	DRUM SEAL
		27	1	DRUM BUSHING, MOTOR ASSY_MOTOR_HIGH OUPUT
KIT 7	93041	(8)	1	S/P ASSY_CONTROL SYSTEM
		26	1	S/P BUS
		28	1	GROUND CABLE 2GA
		30	1	S/P ASSY_CONTROL PACK COVER
		37	1	S/P 12VDC CONTACTOR PLATE ASSEMBLY
			1	POWER CABLE 2GA
KIT 8	93428	33	1	S/P BUS BARS
		34	1	BUS BARS
		35	1	BASE, BUS BAR COVER
		36	1	TOP, BUS BAR COVER
			1	TORX, PAN HEAD, M6-1.0X25
KIT 9	93042	21	1	S/P BRAKE ASSY
		22	1	DRIVE SHAFT
		23	1	BRAKE ASSY CASTING, MOTOR COUPLER
KIT 10	93043	40	1	S/P ASSY_REMOTE
		41	1	REMOTE
		42	1	USB_CHARGER USB_CABLE
INDIVIDUAL ITEMS				
	88371	3	1 (X10)	TORX, PAN HEAD, M5-0.8 x 25
	13874	9	1	SUN GEAR, 12T
	88636	10	1	CARRIER ASSY, STAGE 1
	91047	11	1	CARRIER ASSY, STAGE 2
	88543	12	1	WASHER, THRUST
	91051	13	1	CARRIER ASSY, STAGE 3
	88252	14	1	RING GEAR, 75T
	90281	17	1	DRIVE SPLINE
	13824	19	1	DRUM DRIVER
	88251	21	1	DRIVE SHAFT
	92823	24	1	DRUM ASSY STEEL SLEEVE
	15901	26	1	GROUND CABLE 2GA
	93331	28	1	S/P CONTROL PACK COVER ASSEMBLY
	81400	29	1	S/P 12VDC CONTACTOR
	89242	31	1	S/P, TIE PLATE
	83475	32	1 (X4)	TORX, PAN HEAD, M8-1.25 x 25
	88682	36	1	TORX, PAN HEAD, M6-1.0 x 25
	83350	37	1	POWER CABLE 2GA
	89213	38	1	S/P, WIRE ROPE, 3/8x100'
	89214	39	1	S/P, FAIRLEAD, ROLLER
	90053	44	1	PUCK_ANCHOR_3/8_CAST
	93332	45	1	S/P CONTROL MODULE
	93334	46	1	S/P REMOTE BATTERY



TREUIL ZEON-12 PLATINUM

Numéro de pièce : 92820

Effort en 1ère couche : 5443 kg (12 000 lbs)

Moteur : 12 V CC, à enroulements série

Commandes : télécommande sans fil avancée

Train d'engrenages : planétaire à 3 étages

Rapport de démultiplication : 216:1

Embrayage (déroulement en roue libre) : Couronne dentée rotative

Frein : Automatique, à came excentrée

Longueur/diamètre du tambour : 8 cm/23,6cm (3,15 po/9,3 po)

Poids d'expédition du kit : 46,7 kg (103 lbs)

Câble : Câble d'acier, Ø 9,5mm x 24,4m (Ø 3/8 po x 80 pieds)

Guide-câble : Rouleau

Batterie recommandée : 650 A (démarrage à froid) minimum pour le halage

Cycle d'utilisation : intermittent

Fils de batterie : 2 GA, 1,83 m (72 po)

Finition : Revêtement époxy noir

Garantie : À vie limitée

Entraxe de fixation : 254 mm x 114,3 mm (10 po x 4,5 po)

Dimensions du treuil : 615,9 mm L x 181,6mm P x 267,1mm H (24,25 po L x 7,14 po P x 10,52 po H)

