



ZEON-10-S PLATINUM WINCH

Part Number: 92815

Rated Line Pull: 10,000 lbs. (4536 kgs)

Motor: 12V DC, Series Wound

Controls: Advanced Wireless Remote Control

Gear Train: 3-Stage Planetary

Gear Ratio: 162:1

Clutch (Freespool): Rotating Ring Gear

Brake: Automatic Direct Drive Cone

Drum Diameter/length: 3.15"/9.3" (8.0cm/23.6cm)

Kit Shipping Weight: 80 lbs (36.3 kgs)

Rope: Synthetic, \varnothing 3/8" x 100' (\varnothing 9.5mm x 30.5m), \varnothing 3/8" x 80' (\varnothing 9.5mm x 30.5m)

Fairlead: Hawse

Recommended Battery: 650CCA Minimum for winching

Duty Cycle: Intermittent

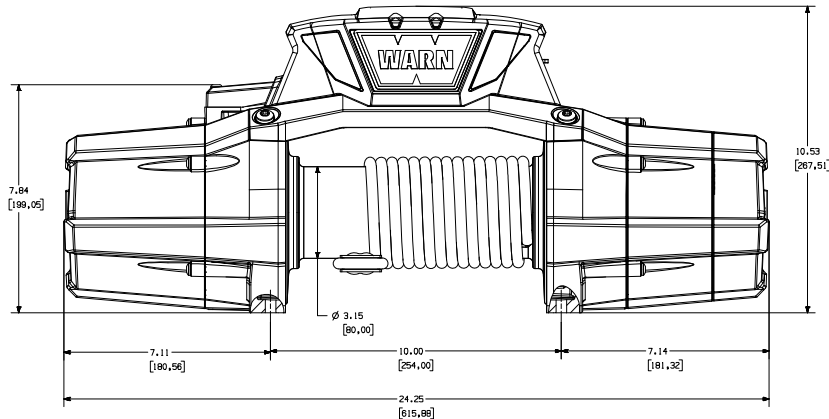
Battery Leads: 2 GA, 72" (1.83m)

Finish: Black Powder Coat

Warranty: Limited Lifetime

Mounting Bolt Pattern: 10.0" x 4.5" (254mm x 114.3mm)

Winch Dimensions: 24.25 L x 7.14" D x 10.52" H (615.9mm L x 181.6mm D x 267.1mmH)



SERVICE INSTRUCTIONS

Should you encounter a problem during installation or operation of your winch, please follow these steps toward resolving the problem:

1. Refer to your operator's guide and installation instructions. It has illustrations and detailed information on the installation and safe and proper operation of your winch. It also includes a replacement parts list and assembly diagrams. If you are unable to resolve the problem, then go to step 2.
2. Contact your dealer where you purchased your winch. If, after discussing the problem with their parts and service staff, you are still unable to resolve the problem then go to step 3.
3. Call an Authorized WARN Service center from the list provided on the back of the warranty sheet included with the product. When calling, please have the following information available: winch model number and purchase date, make, model and year of vehicle.
4. If you are unable to resolve the problem to your satisfaction, please call Warn Industries Customer Service at: 1-800-543-9276. When calling, please have the following information available: winch model number and purchase date, make, model and year of vehicle. You may also contact Warn Industries by visiting our website: www.warn.com

SERVICE/UPGRADE KITS

	PN#	ITEM	QTY	DESCRIPTION
KIT 1	92982	(2)	1	S/P ASSY_ULT PERF_TRANS_162
		(3)	1	S/P ASSY_END HOUSING_ULT PERF
		(4)	1	S/P END CAP
		(5)	1	S/P REMOTE CLUTCH ASSY
		9	1	S/P, DRUM SUPPORT, GEARTRAIN
		10	1	SUN GEAR, 12T
		11	1	CARRIER ASSY, STAGE 1
		12	1	CARRIER ASSY, STAGE 2
		13	1	WASHER, THRUST
		14	1	CARRIER ASSY, STAGE 3
		17	1	RING GEAR, 75T
19	1	DRIVE SPLINE		
21	1	DRUM DRIVER		
21	1	DRIVE SHAFT		
KIT 2	93036	2	1	S/P ASSY_END HOUSING_ULT PERF END
		3	1	GASKET END CAP
		10	10	TORX, PAN HEAD, M5-0.8X25
		5	1	HOUSING_ULT PERF
		6	1	PAWL STOP
		7	1	ROTATING RING GEAR
		8	1	RETAINING RING
		15	1	GEARTRAIN GASKET
		47	1	TORX, PAN HEAD, M5-0.8X12
KIT 3	93596	1	1	S/P END CAP
		2	1	END CAP
		3	5	GASKET, END CAP
				TORX, PAN HEAD, M5-0.8X25
KIT 4	93038	4	1	S/P ASSY_REMOTE CLUTCH

	PN#	ITEM	QTY	DESCRIPTION	
KIT 5	89239	3	5	S/P DRUM SUPPORT_GEARTRAIN	
		15	1	TORX, PAN HEAD, M5-0.8X25	
		16	1	GEARTRAIN GASKET	
		18	1	DRUM SUPPORT, GEARTRAN PER	
		20	1	DRUM SEAL DRUM BUHSING	
KIT 6	93598	18	1	S/P ASSY_MOTOR_HIGH OUPUT	
		25	1	DRUM SEAL	
		27	1	DRUM BUSHING, MOTOR ASSY_MOTOR_HIGH OUPUT	
KIT 7	93041	(8)	1	S/P ASSY_CONTROL SYSTEM	
		26	1	S/P BUS	
		28	1	GROUND CABLE 2GA	
		30	1	S/P ASSY_CONTROL PACK COVER	
		37	1	S/P 12VDC CONTACTOR PLATE ASSEMBLY POWER CABLE 2GA	
KIT 8	93428	33	1	S/P BUS BARS	
		34	1	BUS BARS	
		35	1	BASE, BUS BAR COVER	
		36	1	TOP, BUS BAR COVER TORX, PAN HEAD, M6-1.0X25	
KIT 9	93042	21	1	S/P BRAKE ASSY	
		22	1	DRIVE SHAFT	
		23	1	BRAKE ASSY CASTING, MOTOR COUPLER	
KIT 10	93043	40	1	S/P ASSY_REMOTE	
		41	1	REMOTE	
		42	1	USB_CHARGER USB_CABLE	
INDIVIDUAL ITEMS					
		88371	3	1 (X10)	TORX, PAN HEAD, M5-0.8 x 25
		13874	9	1	SUN GEAR, 12T
		88690	10	1	CARRIER ASSY, STAGE 1
		91048	11	1	CARRIER ASSY, STAGE 2
		88543	12	1	WASHER, THRUST
		91051	13	1	CARRIER ASSY, STAGE 3
		88252	14	1	RING GEAR, 75T
		90281	17	1	DRIVE SPLINE
		13824	19	1	DRUM DRIVER
		88251	21	1	DRIVE SHAFT
		92823	24	1	DRUM ASSY STEEL SLEEVE
		15901	26	1	GROUND CABLE 2GA
		93331	28	1	S/P CONTROL PACK COVER ASSEMBLY
		81400	29	1	S/P 12VDC CONTACTOR
		89242	31	1	S/P, TIE PLATE
		83475	32	1 (X4)	TORX, PAN HEAD, M8-1.25 x 25
		88682	36	1	TORX, PAN HEAD, M6-1.0 x 25
		83350	37	1	POWER CABLE 2GA
		87915	38	1	S/P, SYNTHETIC ROPE ASSY, 3/8x100'
		87914	39	1	S/P, FAIRLEAD, HAWSE
		90052	44	1	ANCHOR_PUCK
		93332	45	1	S/P CONTROL MODULE
		93334	46	1	S/P REMOTE BATTERY

TREUIL ZEON-10-S PLATINUM

Numéro de pièce : 92815

Effort en 1ère couche : 4536 kg (10 000 lbs)

Moteur : 12 V CC, à enroulements série

Commandes : télécommande sans fil avancée

Train d'engrenages : planétaire à 3 étages

Rapport de démultiplication : 162:1

Embrayage (déroulement en roue libre) : Couronne dentée rotative

Frein : Automatique, à came excentrée

Longueur/diamètre du tambour : 8 cm/23,6cm (3,15 po/9,3 po)

Poids d'expédition du kit : 36,3 kg (80 lbs)

Câble : Synthétique, Ø 9,5mm x 30,5m (Ø 3/8 po x 100')

Guide-câble : Écubier

Batterie recommandée : 650 A (démarrage à froid) minimum pour le halage

Cycle d'utilisation : intermittent

Fils de batterie : 2 GA, 1,83 m (72 po)

Finition : Revêtement époxy noir

Garantie : À vie limitée

Entraxe de fixation : 254 mm x 114,3 mm (10 po x 4,5 po)

Dimensions du treuil : 615,9 mm L x 181,6mm P x 267,1mm H (24,25 po L x 7,14 po P x 10,52 po H)

