

M8274 / M8274-S

Always read all product literature **BEFORE** installing product.

www.warn.com

⚠ WARNING

- **Always** position fairlead with warning readily visible on top.
- **Always** use class 8.8 metric (grade 5) or better hardware.
- **Never** weld mounting bolts.
- **Never** use bolts that are too long.
- **Always** confirm required bolt length to ensure proper thread engagement.
- **Always** complete the winch installation and hook attachment before installing the wiring.

Mounting

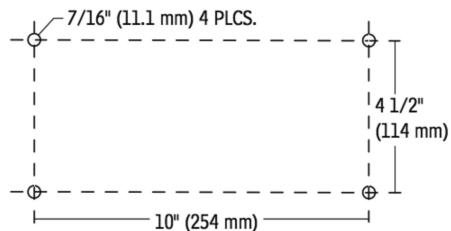


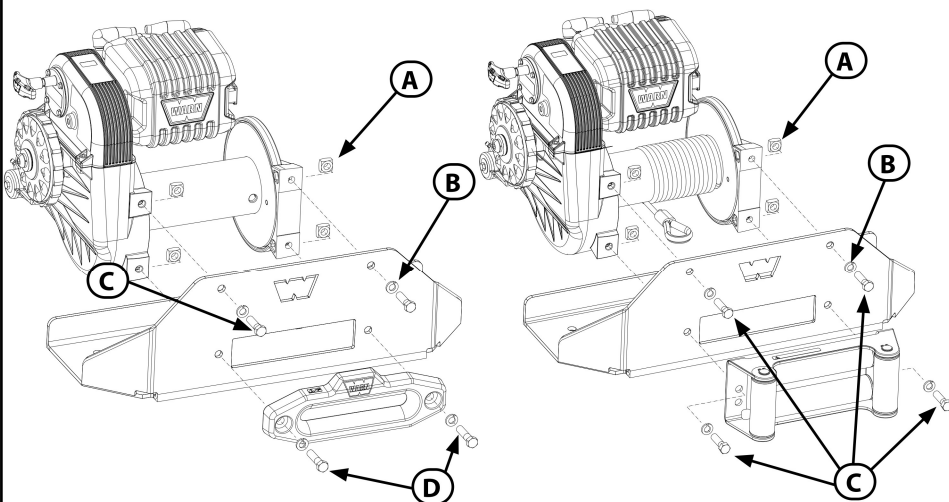
Plate Thickness	Bolt Length
1/4" (7 mm)	1.5" (40 mm)
3/8" (10 mm)	1.5" (40 mm)
1/2" (13 mm) <i>Not supplied</i>	1.75" (45 mm)

Synthetic

Item	Qty	Description
A	4	7/16" -14
B	4	7/16" (11.1 mm)
C	2	7/16" - 14 X 1 1/2"
D	2	7/16" - 14 X 1 3/4"

Wire

Item	Qty	Description
A	4	7/16" -14
B	4	7/16" (11.1 mm)
C	4	7/16" - 14 X 1 1/2"



T 45-50 ft. lbs. (61-68Nm)

106116A1

Wiring

⚠ WARNING



- **Always** remove jewelry and wear eye protection when making battery connections.

Never route electrical cables across sharp edges.



Never route electrical cables near parts that get hot.



Never route electrical cables over battery terminals.



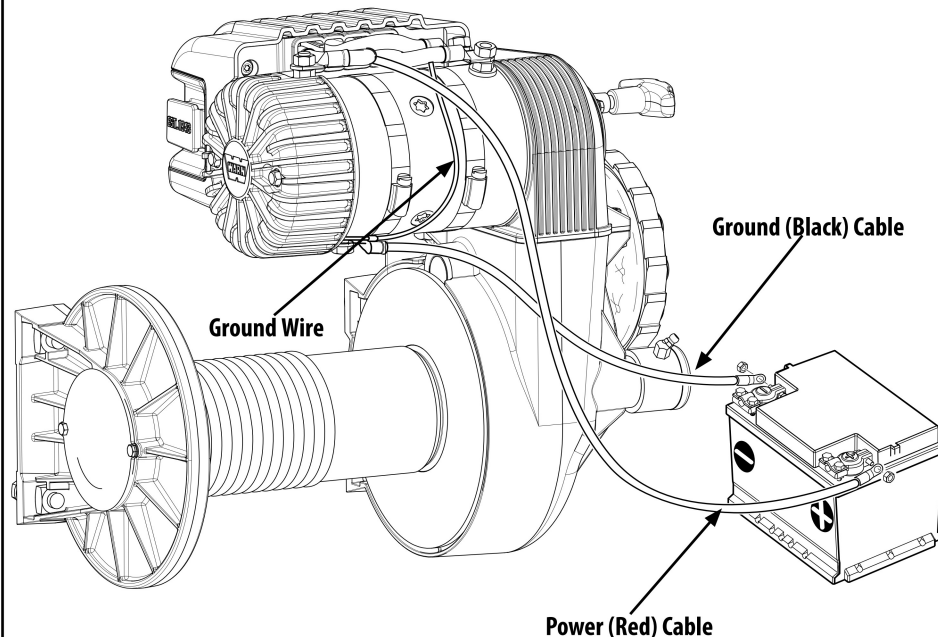
Never route electrical cables through or near moving parts.



Always insulate and protect all exposed wiring and electrical terminals.



Always place the supplied terminal boots on wires and terminals.



NOTE: For M8274-S model: Install winch completely and verify winch operation before installing rope.

106116A1