



SERIES G2 PRODUCT DATA SHEET

MODEL	PART NUMBER	MOTOR TYPE
SG2 12-A-E12V-10DL-WR00-MC	104420	Electric 12V
SG2 12-C-E12V-10DL-WR00-MC	104425	Electric 12V
SERIAL NUMBER	INSPECTED BY	DATE

ENGINEERING DATA		
Rated Pulling Force:	12000 lbf	5443 kgf
Drum Barrel Diameter:	4 in	101.6 mm
Drum Flange Diameter:	8.24 in	209.3 mm
Drum Width:	9.95 in	252.7 mm
Evaluated Rope Diameter:	7/16 in	11 mm
Maximum Wire Rope Diameter:	1/2 in	12.7 mm
Minimum Wire Rope Breaking Strength:	20,400 lbf	9253 kgf
Maximum Layers of Wire Rope:	4 with 7/16in rope	
Gear Train:	Planetary	
Gear Reduction:	321:1	
Mounting Bolt Size:	M12 X 1.75 Class 8.8	
Mounting Bolt Torque:	46-51 lbf-ft	63-69 Nm
Duty Cycle (per SAE J706 section 6.2):	11.1 ft	3.4 m
Approximate Shipping Weight:	97.0 lbf	44.0 kg
Brake Type:	Automatic Disk Brake per SAE J706 Sec. 4.2	
Sealing:	IP68/IP69K	
UV Rating:	1200 kJ/m ² per ASTM G154	
Corrosion Resistance:	408 hrs per ASTM B117	
Operating Temperature:	-40°F to 158°F (-40°C to 70°C)	
Decibels:	85.5 dB	
EMC Emissions:	CISPR 25:2008	
EMC Immunity:	ISO 7637-2:2004	

PERFORMANCE BY LAYER					
DRUM LAYER	LINE LOAD*			LINE SPEED	
	lbf	kgf	kN	ft/min	m/min
1	12000	5443	53.4	18.6	5.7
2	10024	4547	44.6	20.4	6.2
3	8606	3904	38.3	22.3	6.8
4	7540	3420	33.5	24.1	7.3

*Never exceed the Rated Pulling Force. Installation of a Rated Capacity Limiter is recommended

FIRST LAYER PERFORMANCE					
LINE LOAD		CURRENT DRAW	LINE SPEED (AT LOAD)		DUTY CYCLE
lbf	kgf	AMPS	ft/min	m/min	min/10min
0	0	84.2	18.6	5.7	3:00
2000	907	158.6	10.6	3.2	2:00
4000	1814	215.7	7.4	2.3	1:20
6000	2722	269.7	6.1	1.9	1:00
8000	3629	326.0	5.1	1.6	0:40
10000	4536	381.2	4.0	1.2	0:25
12000	5443	422.8	3.9	1.2	0:20



DESCRIPTION

SeriesG2 Electric winches provide new levels of performance, durability, and efficiency to help get jobs done quickly and reliably time after time.

ACCESSORIES

SeriesG2 winches represents an all-new level of modular design, customization, and versatility, no matter the application. Please visit www.warn.com/industrial for all available accessories and options.

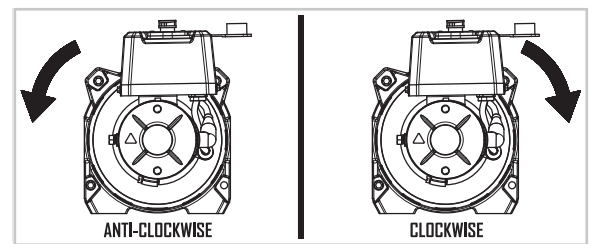
STANDARDS COMPLIANCE

2006/42/EC - EN ISO 12100:2010, EN 60529:1992+A2:2013, EN 14492-1:2006*
 2014/30/EU - EN 50498:2010, ISO 7637-2:2011, CISPR 25
 2011/65/EU - EN 63000:2018

Also complies with:
 SAE J706

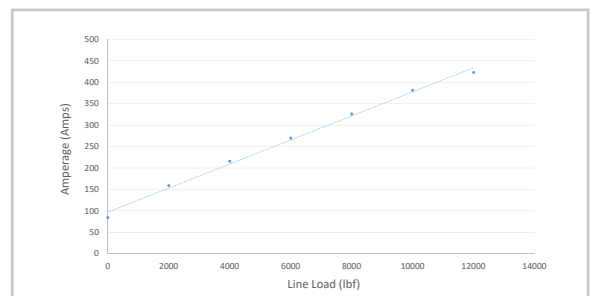
*Conforms with exceptions

DRUM ROTATION



As viewed from motor end

FIRST LAYER PERFORMANCE





SERIES G2 PRODUCT DATA SHEET

MODEL	PART NUMBER	MOTOR TYPE
-------	-------------	------------

SG2 12-A-E12V-10DL-WR00-MC	104420	Electric 12V
SG2 12-C-E12V-10DL-WR00-MC	104425	Electric 12V

DRUM CAPACITY BY LAYER

DRUM LAYER	DRUM LENGTH							
	6.5"		8"		10"		12.5"	
	ft	m	ft	m	ft	m	ft	m
1	15	4.6	19	5.8	24	7.3	29	8.8
2	32	9.8	42	12.8	53	16.2	63	19.2
3	52	15.8	69	21.0	86	26.2	104	31.7
4	75	22.9	100	30.5	125	38.1	150	45.7

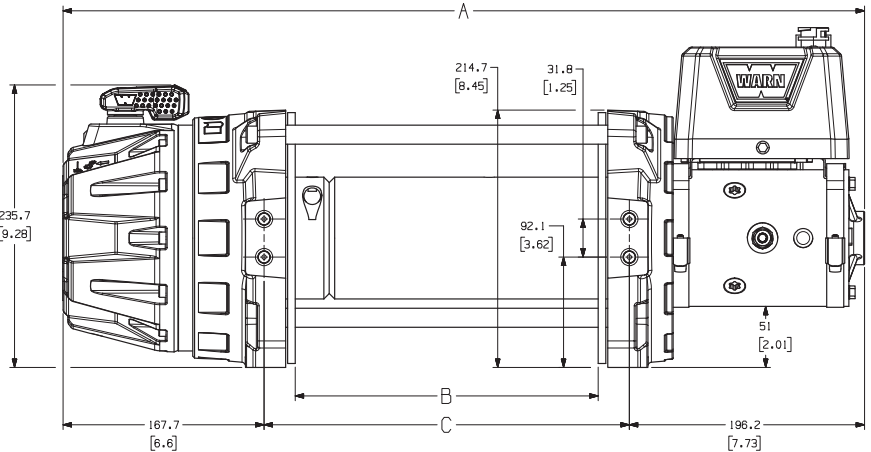
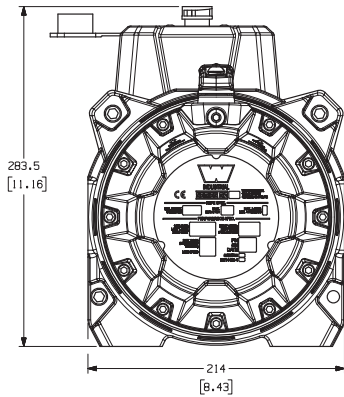
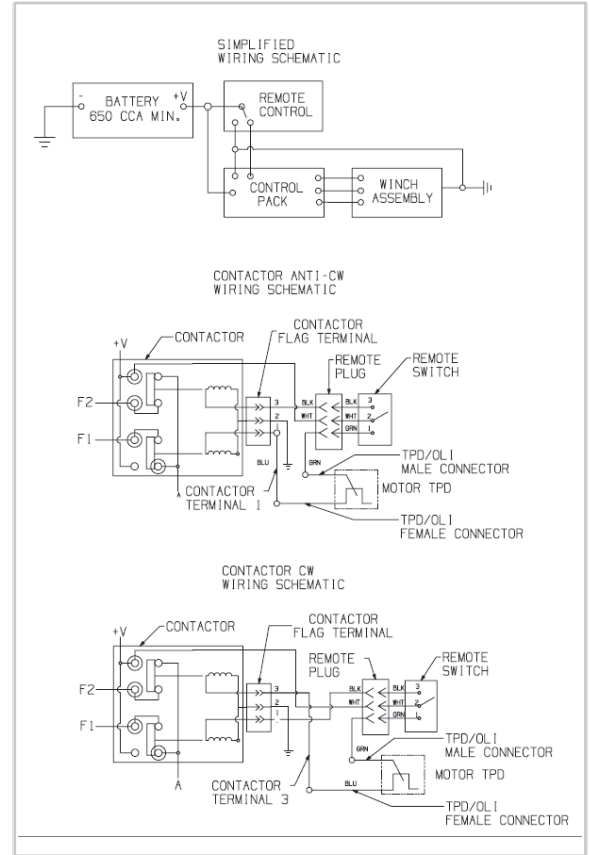
TOTAL DRUM CAPACITY

ROPE DIAMETER	DRUM LENGTH							
	6.5"		8"		10"		12.5"	
	ft	m	ft	m	ft	m	ft	m
7/16	75	22.9	100	30.5	100	30.5	150	45.7
1/2	60	18.3	60	18.3	75	22.9	100	30.5

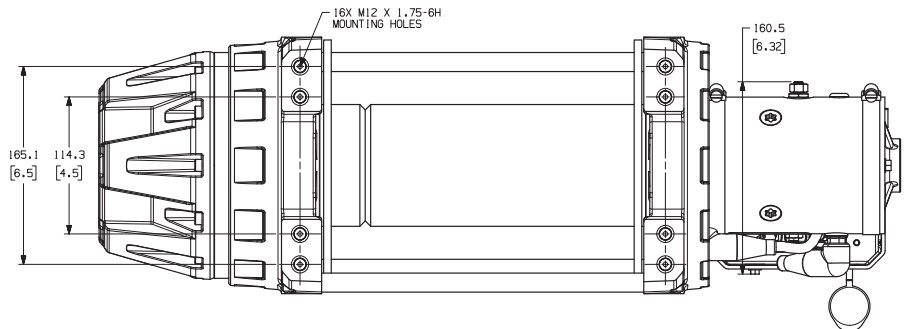
ELECTRICAL SYSTEM SPECIFICATIONS

Battery Voltage:	12V
Minimum Battery Rating:	650 CCA
Maximum Rated Input Speed:	5139 RPM

WIRING SCHEMATIC



DRUM SIZE	UNITS	A	B WIRE	B SYNTH.	C
6.5" DRUM	mm	579.7	163.8	151.1	215.8
	in	22.82	6.45	5.95	8.50
8" DRUM	mm	617.8	201.9	189.2	253.9
	in	24.32	7.95	7.45	10.00
10" DRUM	mm	668.6	252.7	240.0	304.7
	in	26.32	9.95	9.45	12.00
12.5" DRUM	mm	732.1	316.2	303.5	368.2
	in	28.82	12.45	11.95	14.50

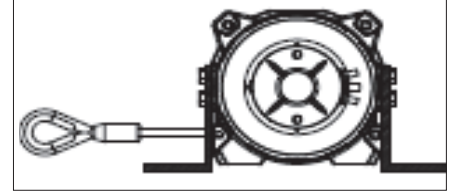
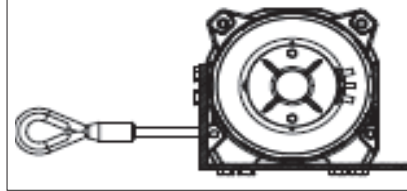
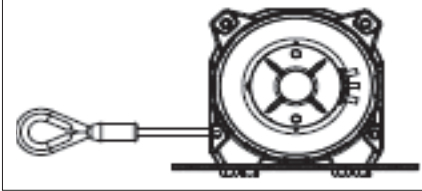




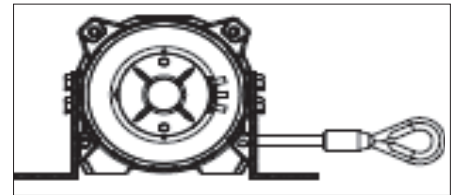
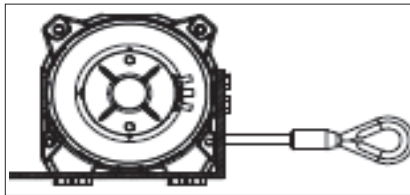
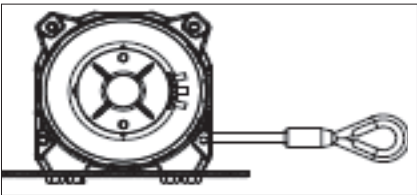
MOUNTING CONFIGURATIONS

MODEL	PART NUMBER	MOTOR TYPE	ALL MOUNTING MUST BE OBSERVED FROM MOTOR END
SG2 12-A-E12V-10DL-WR00-MC	104420	Electric 12V	
SG2 12-C-E12V-10DL-WR00-MC	104425	Electric 12V	

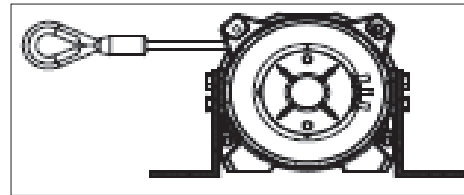
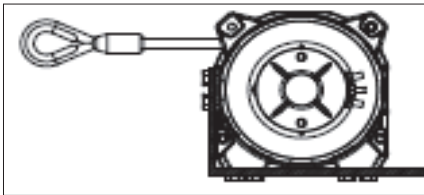
FEET DOWN, ROPE UNDER DRUM, COMING IN FROM THE LEFT (DUL) - ANTI-CLOCKWISE ROTATION



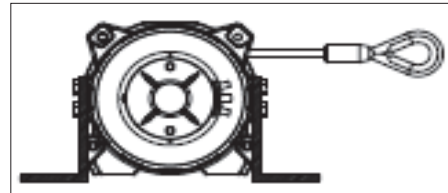
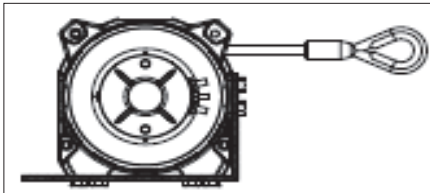
FEET DOWN, ROPE UNDER DRUM, COMING IN FROM THE RIGHT (DUR) - CLOCKWISE ROTATION



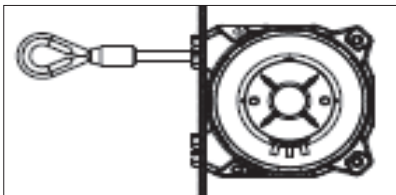
FEET DOWN, ROPE OVER DRUM, COMING IN FROM THE LEFT (DOL) - CLOCKWISE ROTATION



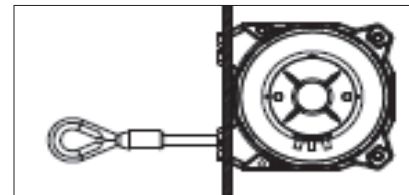
FEET DOWN, ROPE OVER DRUM, COMING IN FROM THE RIGHT (DDR) - ANTI-CLOCKWISE ROTATION



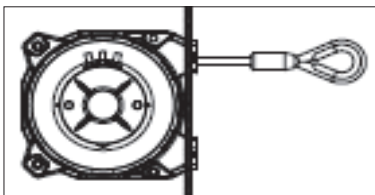
FEET FORWARD, ROPE OVER DRUM, COMING IN FROM THE LEFT (FOL) - CLOCKWISE



FEET FORWARD, ROPE UNDER DRUM, COMING IN FROM THE LEFT (FUL) - ANTI-CLOCKWISE



FEET FORWARD, ROPE OVER DRUM, COMING IN FROM THE RIGHT (FOR) - ANTI-CLOCKWISE



FEET FORWARD, ROPE UNDER DRUM, COMING IN FROM THE RIGHT (FUR) - CLOCKWISE

