

# SELECT 01

INSET BATH | ACRYLIC



## Inset bath | 2 sizes

An elegant symmetrical design with streamlined features, this stylish inset bath will add sleek practicality to any contemporary bathroom.

- white sanitary grade acrylic
- resists chipping, natural slip resistance
- gloss finish
- excellent heat retention properties
- solid base support
- full resin reinforced
- full tile flange around bath
- suitable for built-in and island installation
- overflow version available

### ORDER CODE SELECT 1525 LONG

191511 Select 1525 no overflow, no waste  
[old code: SBT-011525]

191513 Select 1525 with overflow kit including waste  
[old code: SBT-011525-OF]

### SELECT 1675 LONG

191516 Select 1675 no overflow, no waste  
[old code: SBT-011675]

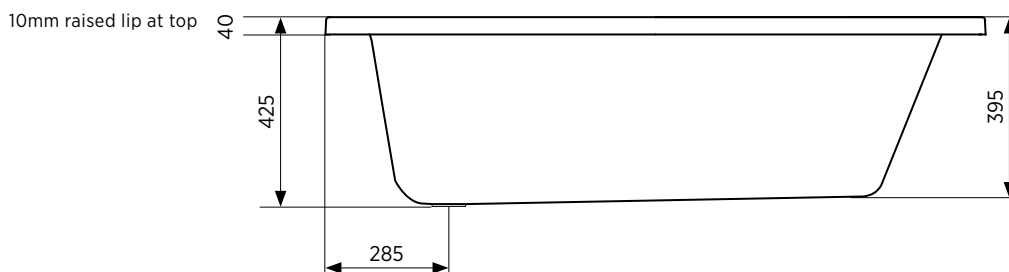
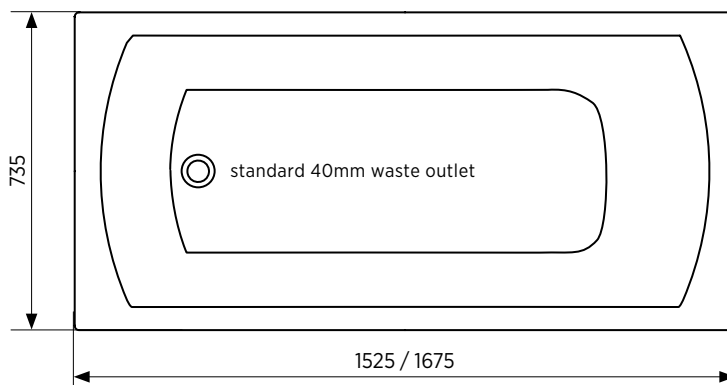
191519 Select 1675 with overflow kit including waste  
[old code: SBT-011675-OF]

WASTE Suits standard 40 mm waste

CAPACITY 1525 length: 230 litres / 1675 length: 260 litres

OVERFLOW Optional overflow

FIXING Use acetic cured silicone sealant. Do not use epoxy type adhesives. Always use the actual product to verify cutout.



# SEIMA

bathroom | kitchen | laundry

seima.com.au

### Please note

- All measurements are in millimetres.
- Dimensions are nominal and subject to normal ceramic manufacturing variations of  $\pm 5$ mm.
- Fixing: Use silicone sealant. DO NOT USE EPOXY TYPE ADHESIVES.
- Specifications may vary without notice as part of our continuous improvement practices.
- Clean with a damp cloth. Do not use abrasive cleaners, liquids or pastes.

Select-01-ds | v 6.0