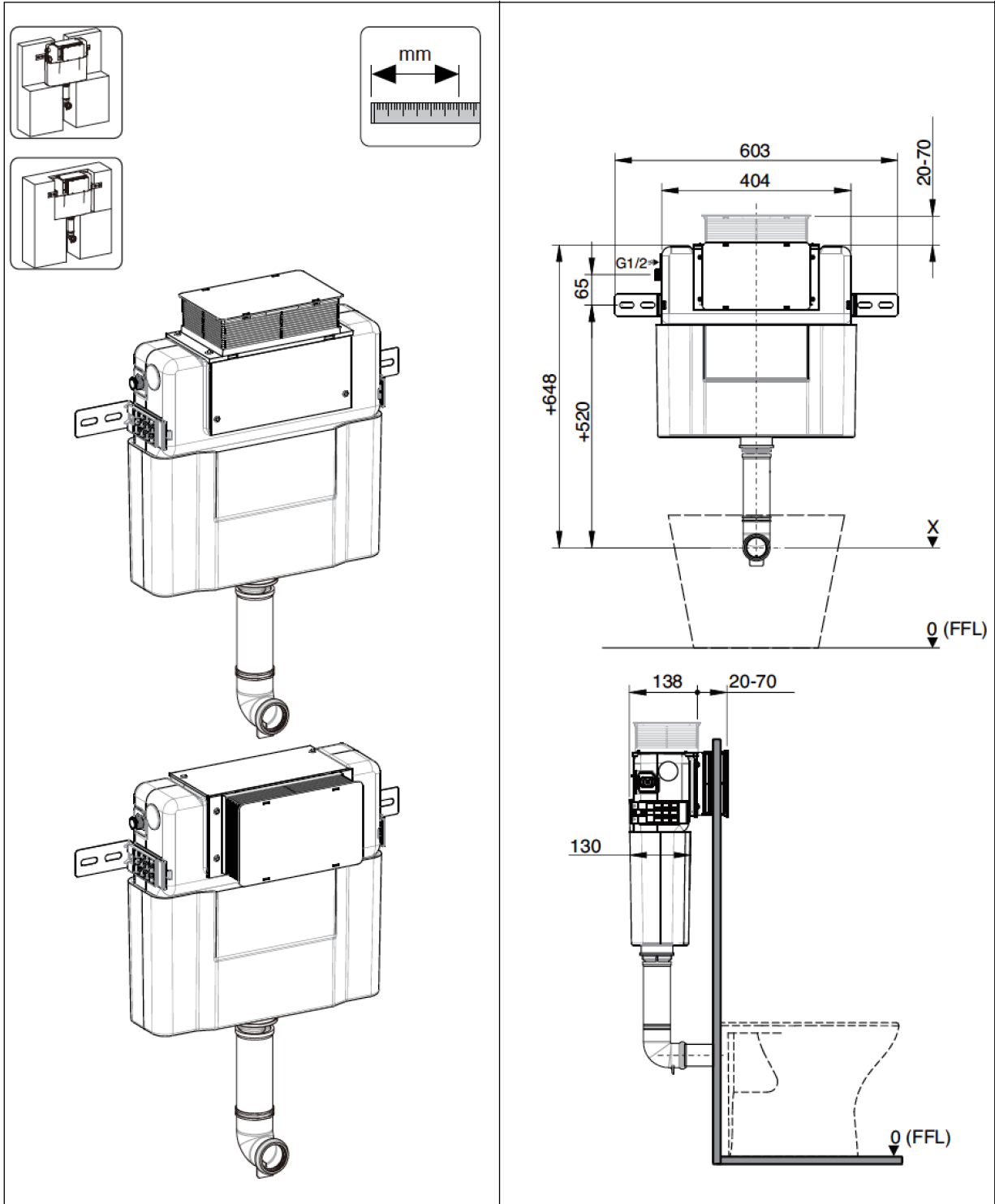


INSTALLATION GUIDE

INWALL CISTERN C101

INSTALLATION GUIDE

- 1 Cistern must be installed by a licensed plumber. Failure to do so may void the warranty.
- 2 Refer to pan specifications for dimensions from finished floor level (FFL) to pan inlet and outlet.
- 3 These instructions show flush plate installation for front access and top access. To install flush plate for remote access, refer to the flush plate instructions.



560441-* 151228

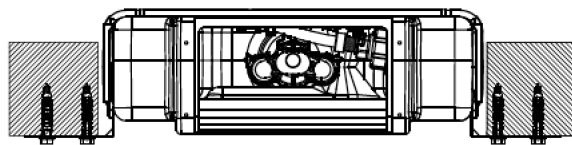
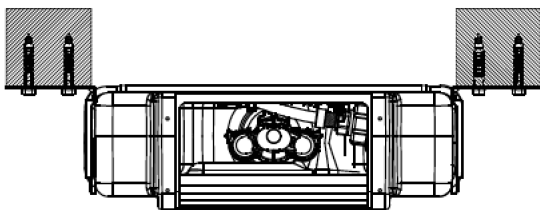
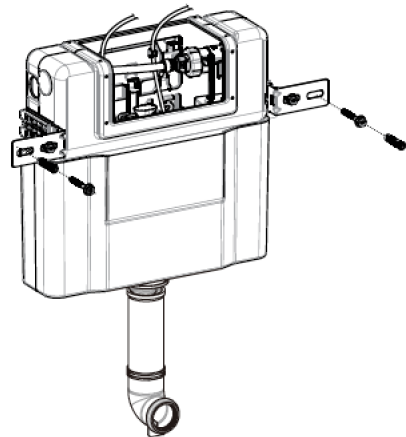
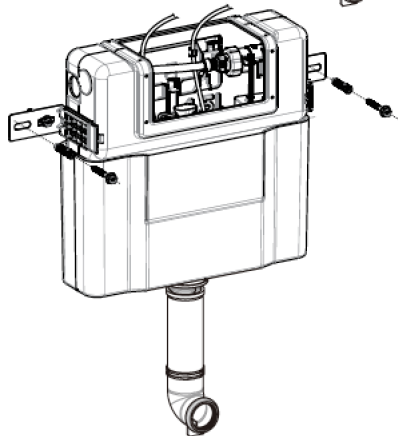
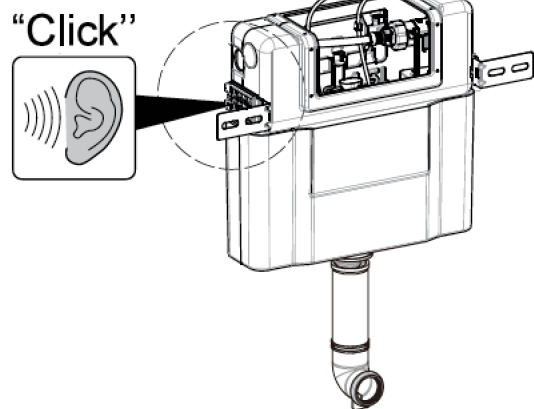
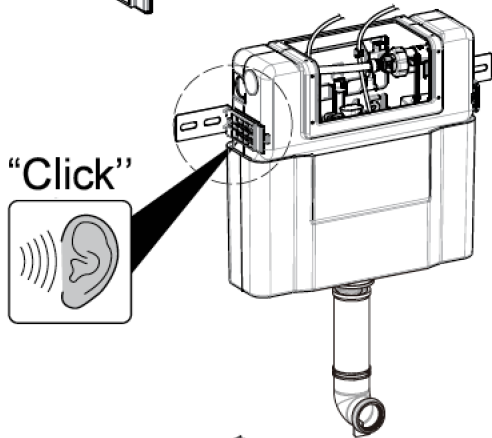
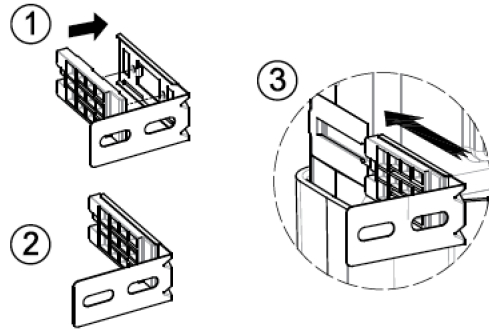
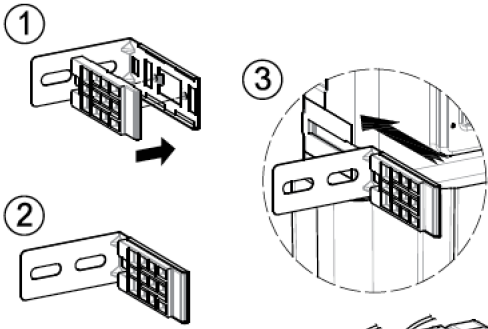
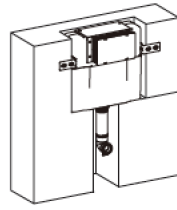
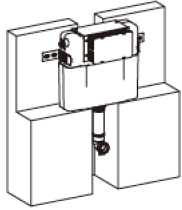
SEIMA

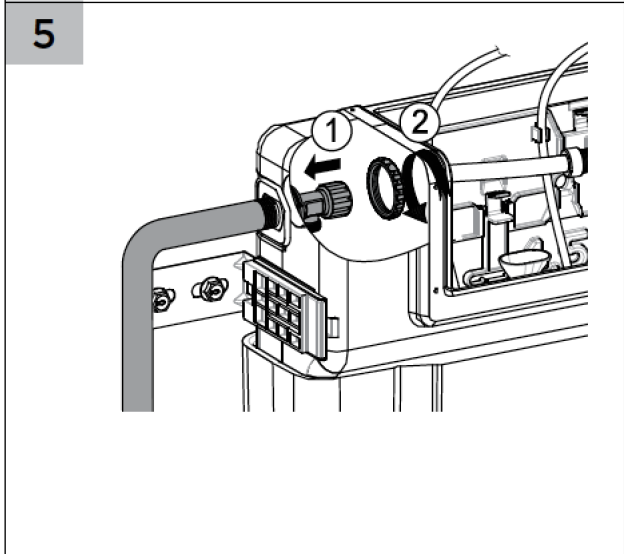
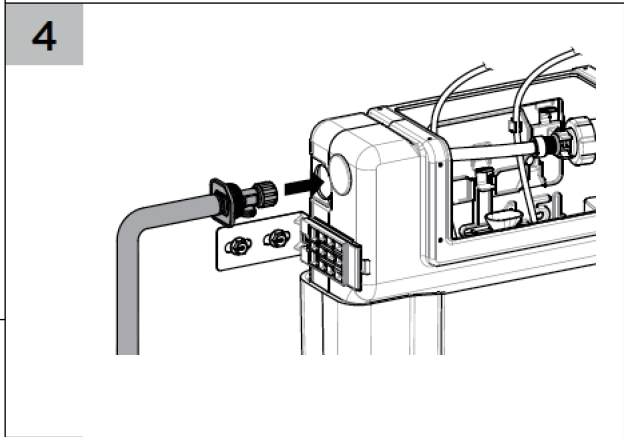
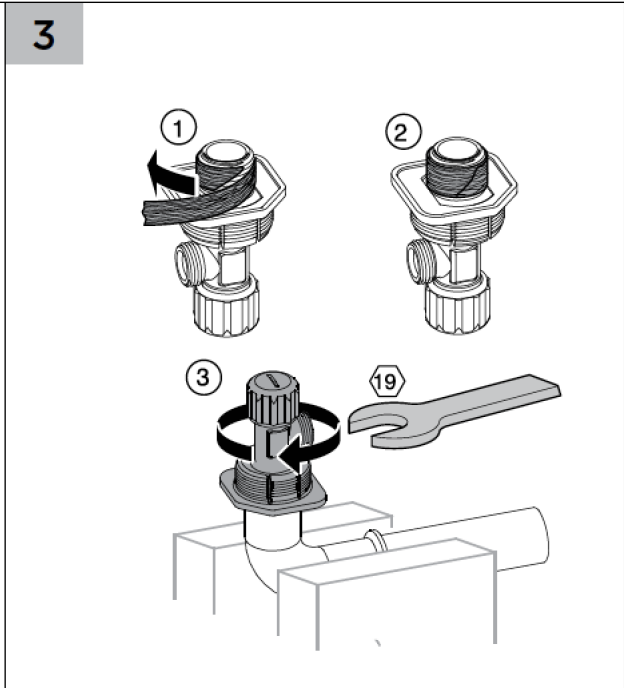
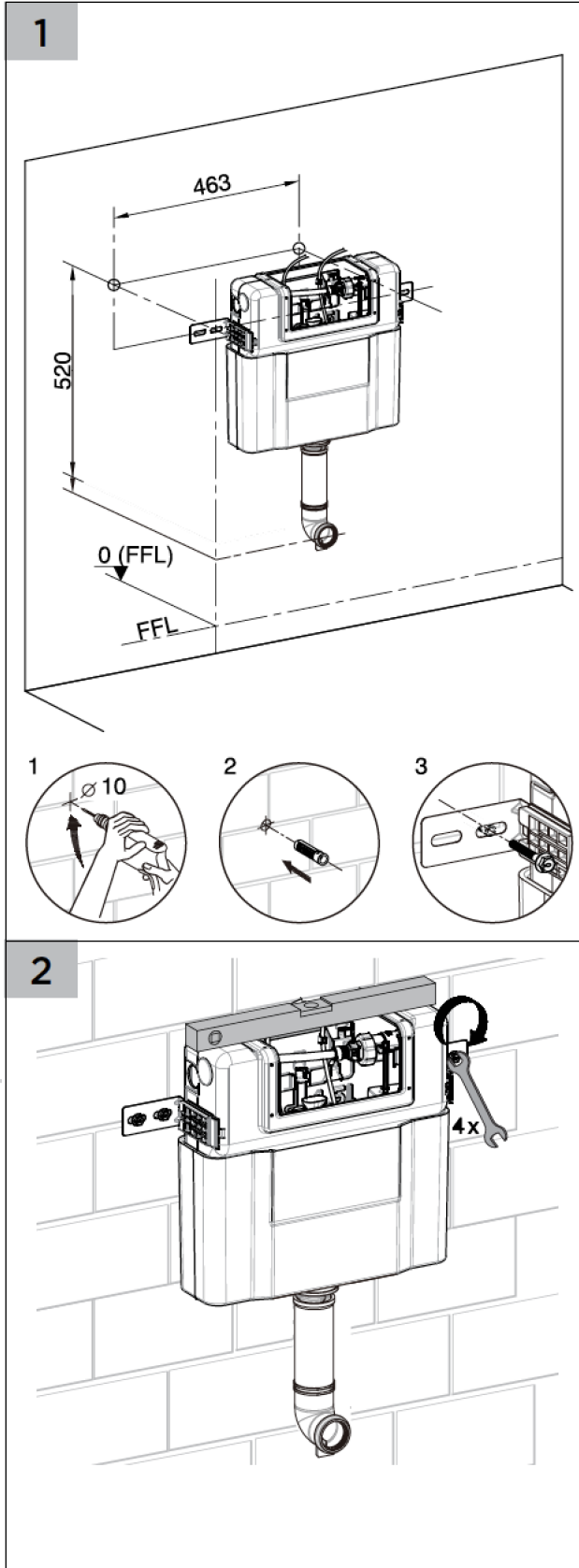
bathroom | kitchen | laundry

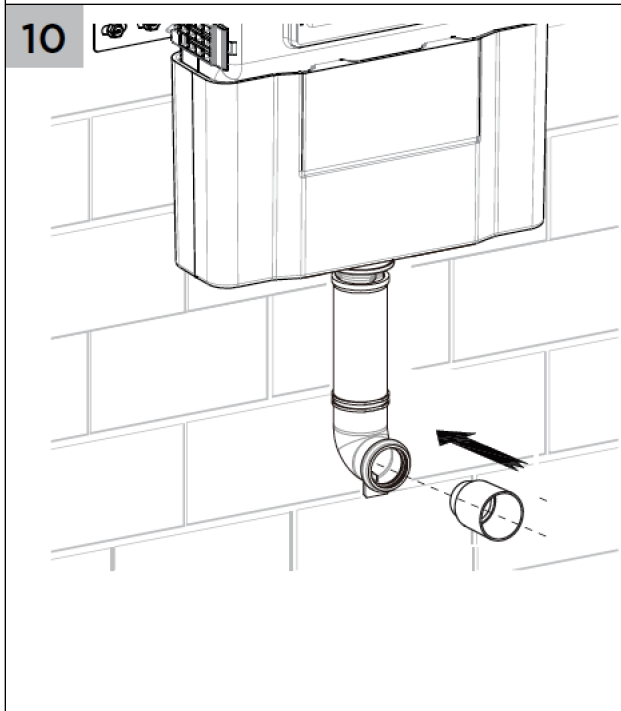
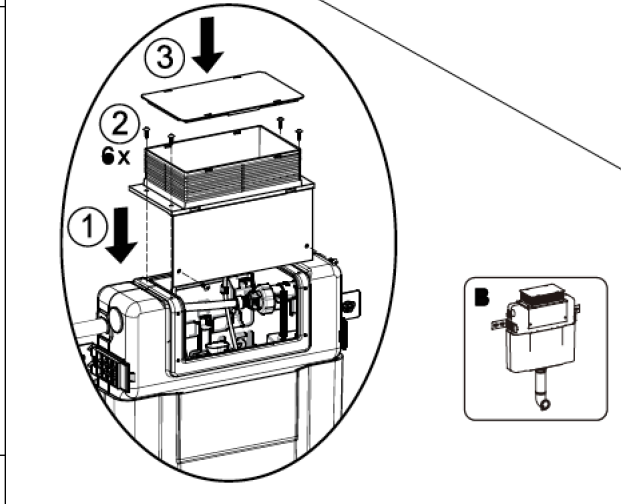
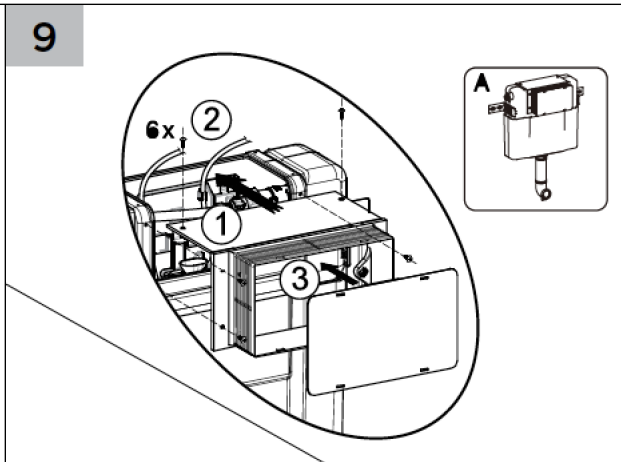
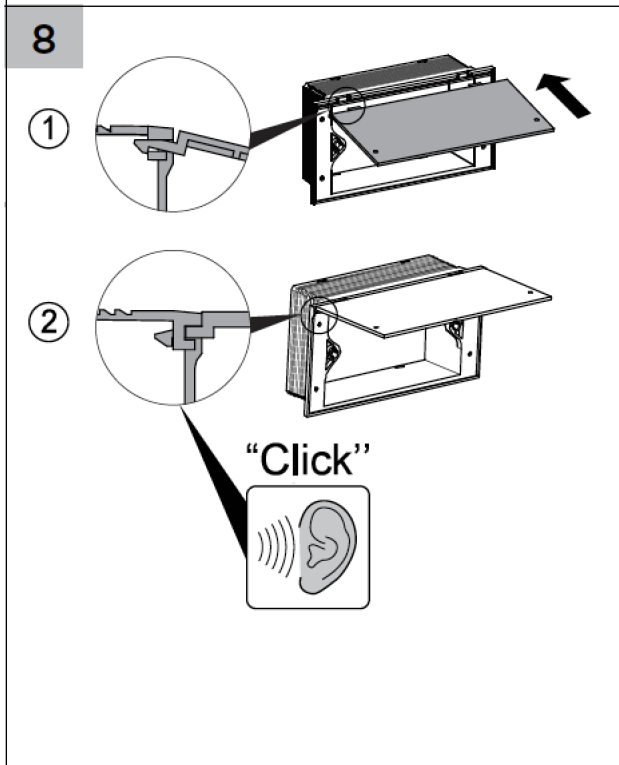
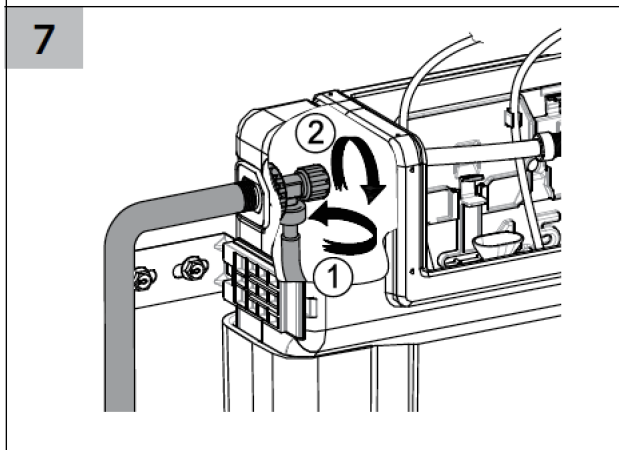
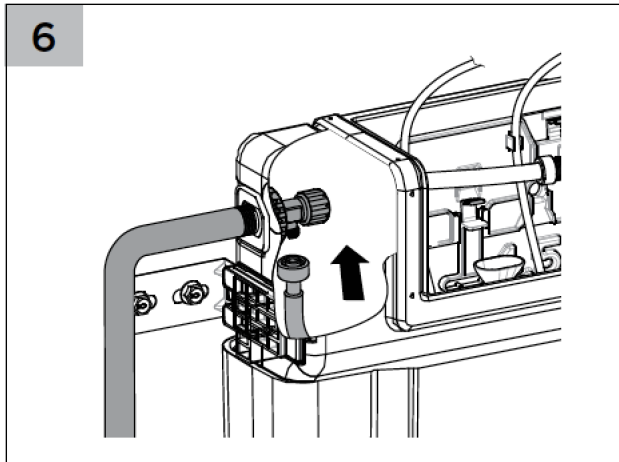
seima.com.au

Please note

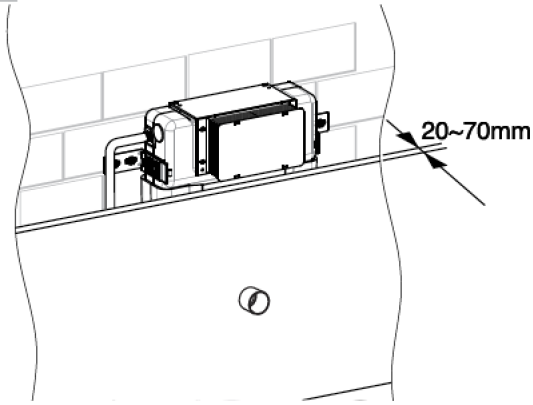
- All measurements are in millimetres.
- Specifications may vary without notice as part of our continuous improvement practices.
- Clean with a damp cloth. Do not use abrasive cleaners, liquids or pastes.



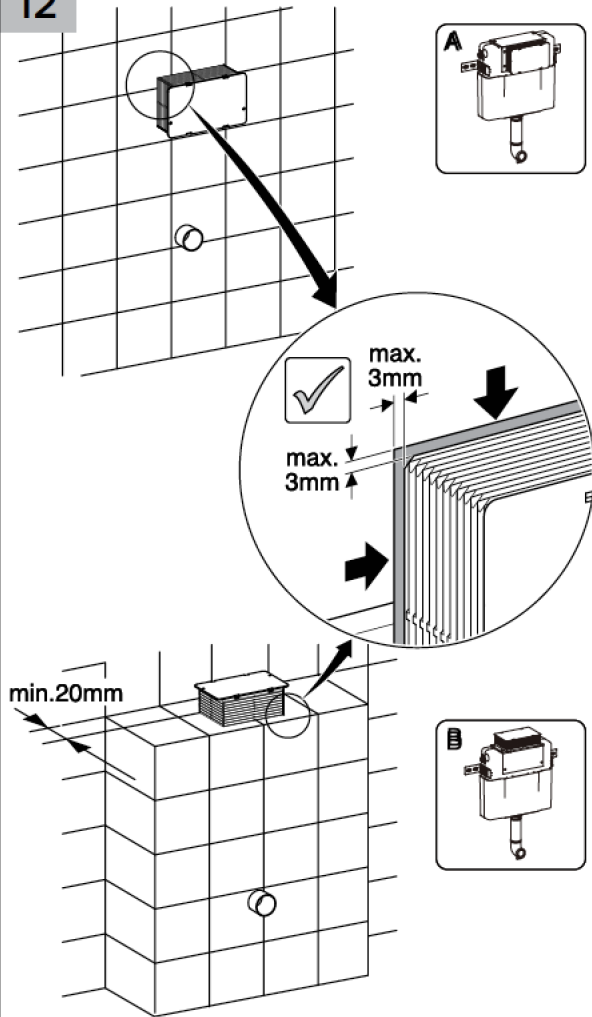




11



12



Note: Refer to pan installation instructions.

