

ARKO FLOOR MOUNT

CERAMIC TOILET SUITE



Floor mount toilet suite – Clean Flush, Nanoglaze

Sleek style and efficient performance in a premium space-saving toilet system with hidden cistern and pneumatic flush.

Pan – details:

- Stylish minimalist design, sits flat against wall
- Clean Flush rimless pan design for an efficient, powerful flush
- White vitreous china with nanoglaze surface, easy to clean
- Soft-closing, easy-clean quick release seat with stainless steel pins
- S or P trap

In-wall cistern – details:

- Hidden cistern activated through a premium pneumatic system connected to the flush plate buttons
- Fully insulated with anti-condensation foam to prevent moisture escape
- Easy to install and service through the flush plate
- WELS 4 star 4.5/3L water saving flush

Order codes

TOILET SUITE – Standard wall installation – C100 CISTERN

191768	Arko FM suite, C101 cistern, Deluxe seat	Old code: STO-306-13
191765	Arko FM suite, C101 cistern, Slim seat	Old code: STO-306-10
191767	Arko FM suite, C101 cistern, Flat seat	
191766	Arko FM suite, C101 cistern, Classic seat	Old code: STO-306-11

TOILET SUITE – Standard wall installation – C101 CISTERN

191877	Arko FM suite, C101 cistern, Deluxe seat
191903	Arko FM suite, C101 cistern, Slim seat
191904	Arko FM suite, C101 cistern, Flat seat
191905	Arko FM suite, C101 cistern, Classic seat

PAN AND SEAT ONLY (no cistern)

191764	Arko FM pan, Deluxe seat	Old code: STO-306-04
191761	Arko FM pan, Slim seat	Old code: STO-306-00
191763	Arko FM pan, Flat seat	
191762	Arko FM pan, Classic seat	Old code: STO-306-01

Order flush buttons separately.

PAN	Wall faced with rimless Clean Flush pan design.
MATERIAL	White vitreous china.
TRAPS	Universal trap, suitable for S or P trap installations.
SEAT	Quick release seat with stainless steel hinges, soft closing.
SETOUT	Variable 90-120 mm using supplied connector.
FIXING	Pan may be bedded with cement base or using silicone sealant.

TOILET SEAT OPTIONS



- DELUXE SEAT (40mm lid)**
- Premium quality
 - Easy to clean, anti-scratch
 - Rigid, ceramic-like surface
 - Made from Thermoset (UF)



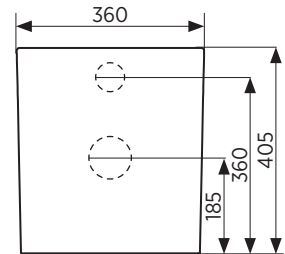
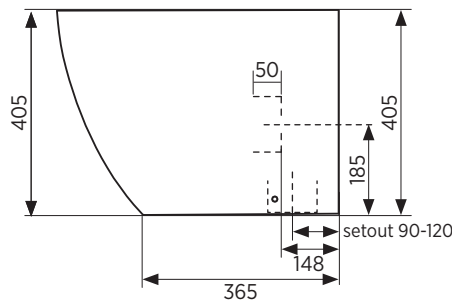
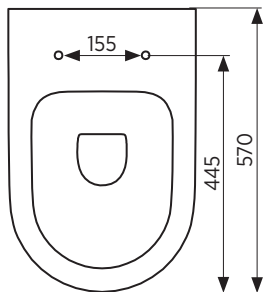
- SLIM SEAT (20mm lid)**
- Premium quality
 - Easy to clean, anti-scratch
 - Rigid, ceramic-like surface
 - Made from Thermoset (UF)



- FLAT SEAT**
- Premium quality
 - Easy to clean, anti-scratch
 - Rigid, ceramic-like surface
 - Made from Thermoset (UF)



- CLASSIC SEAT (40mm lid)**
- Lightweight, shiny finish
 - Easy to clean
 - Rigid, ceramic-like surface
 - Made from Thermoplastic (PP)



 Rimless Clean Flush pan – for an efficient, powerful flush.  Nanoglaze surface – ultra-smooth, anti-bacterial, easy to clean.

SEIMA

bathroom | kitchen | laundry

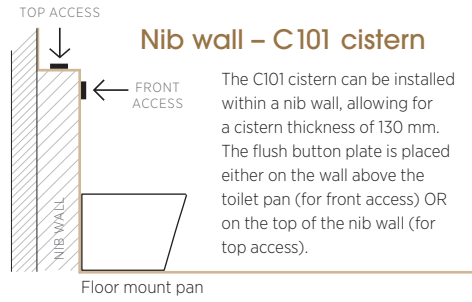
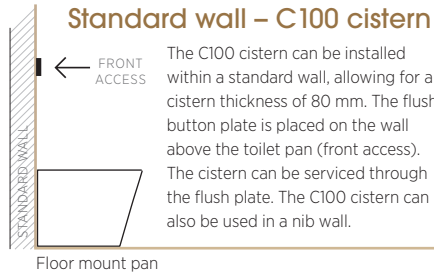
seima.com.au

Please note

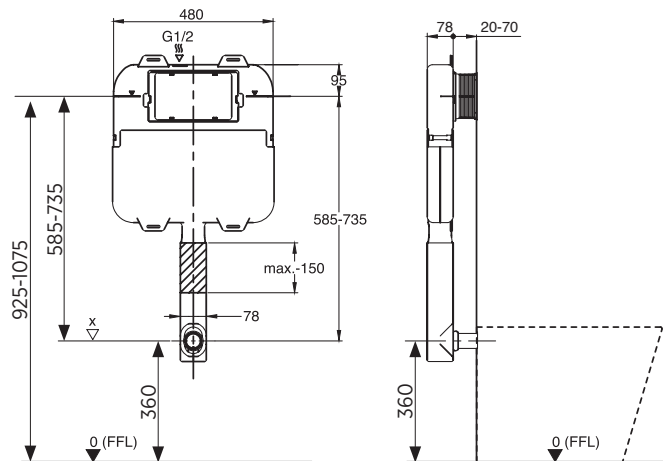
- Installation shall be in accordance with AS/NZS3500.
- All measurements are in millimetres. Height dimensions are to base of pan. Make allowance for bedding.
- Bedding: Pan may be bedded with cement base or using silicone sealant. Fix pan to floor using a sand cement mixture of 3:1 to a depth of 60mm. Do not use lime or fast-drying cement.
- Bracket fixing: The pan should be bedded with silicone sealant and fixed with the brackets supplied. Do NOT use epoxy type adhesives.
- Dimensions are nominal and subject to normal ceramic manufacturing variations.
- Specifications may vary without notice as part of our continuous improvement practices.
- Clean with a damp cloth. Do not use abrasive cleaners, liquids or pastes.

ARKO FLOOR MOUNT Data sheet page 2

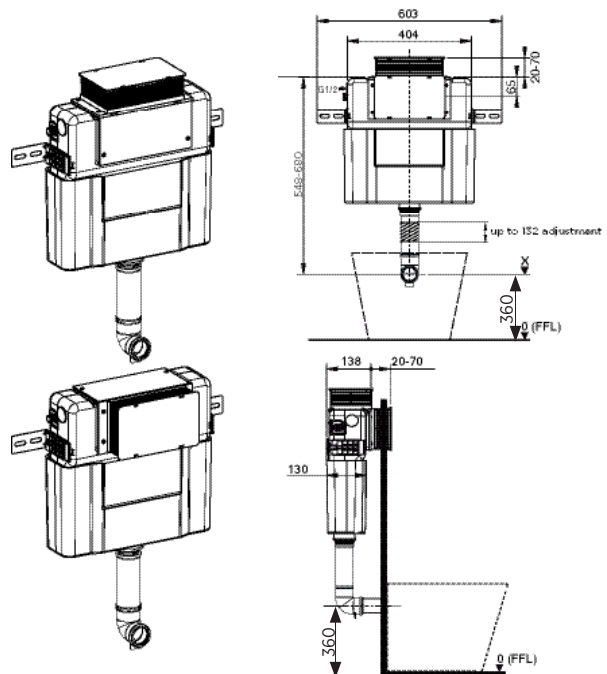
Installation types for FLOOR MOUNT TOILETS



ARKO FLOOR MOUNT pan + C100 IN-WALL SLIM cistern



ARKO FLOOR MOUNT pan + C101 IN-WALL UNDERCOUNTER cistern



SEIMA
bathroom | kitchen | laundry

seima.com.au

Please note

- Installation shall be in accordance with AS/NZS3500.
- All measurements are in millimetres. Height dimensions are to base of pan. Make allowance for bedding.
- Bedding: Pan may be bedded with cement base or using silicone sealant. Fix pan to floor using a sand cement mixture of 3:1 to a depth of 60mm. Do not use lime or fast-drying cement.
- Bracket fixing: The pan should be bedded with silicone sealant and fixed with the brackets supplied. Do NOT use epoxy type adhesives.
- Dimensions are nominal and subject to normal ceramic manufacturing variations.
- Specifications may vary without notice as part of our continuous improvement practices.
- Clean with a damp cloth. Do not use abrasive cleaners, liquids or pastes.