

**Important – read this first!**

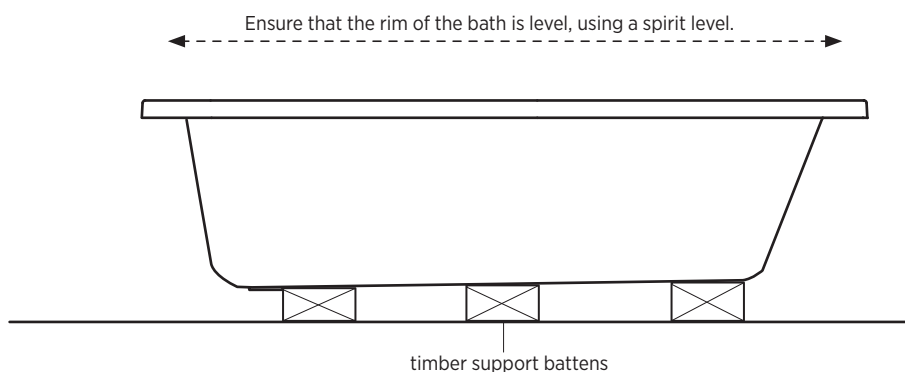
- 1 Inspect the bath **before installation**, to ensure there are no visible defects. If a defect is found, do not install the bath and contact the supplier immediately. Claims for defects will not be accepted after the product has been installed.
- 2 The bath must be installed by a **licensed tradesperson**. Failure to do so may void the warranty.
- 3 Compliance with **AS.3740 Waterproofing of Wet Areas within Residential Buildings** applies when installing baths.
- 4 **Local authorities** may have specific installation requirements and this should be checked before installation.
- 5 Grade the **bath sub-floor** in accordance with requirements of local authorities. Grade sub-floor 1:60 minimum.
- 6 The **protective film** on the bath should be left intact during installation and should remain on the bath until first use.

**Protective film | Care and maintenance of the bath surface**

- 1 There is a **protective film** on the acrylic surface of the bath at the time of purchase. This should remain intact until the bath is ready to use to protect the bath during installation.
- 2 To preserve its polished finish, this bath should be cleaned with a **soft cloth using warm, soapy water or household detergent**. Do **not** use abrasive cleaning products.
- 3 If accidental scratches, abrasions or burns occur, the surface finish can be restored by gentle polishing with Brasso.
- 4 For full warranty terms and conditions, please visit [seima.com.au](http://seima.com.au)

**Base support for the bath**

- 1 The design of acrylic baths allows the base of the bath to be supported by **three timber support battens**.
- 2 Position and fix **timber support battens** to the base of the bath and the floor, using a suitable floor and wall panelling adhesive. Ensure that the bath is neatly fitted and properly supported.
- 3 During installation, use a spirit level to check that the **bath rim is level**.



SEIMA

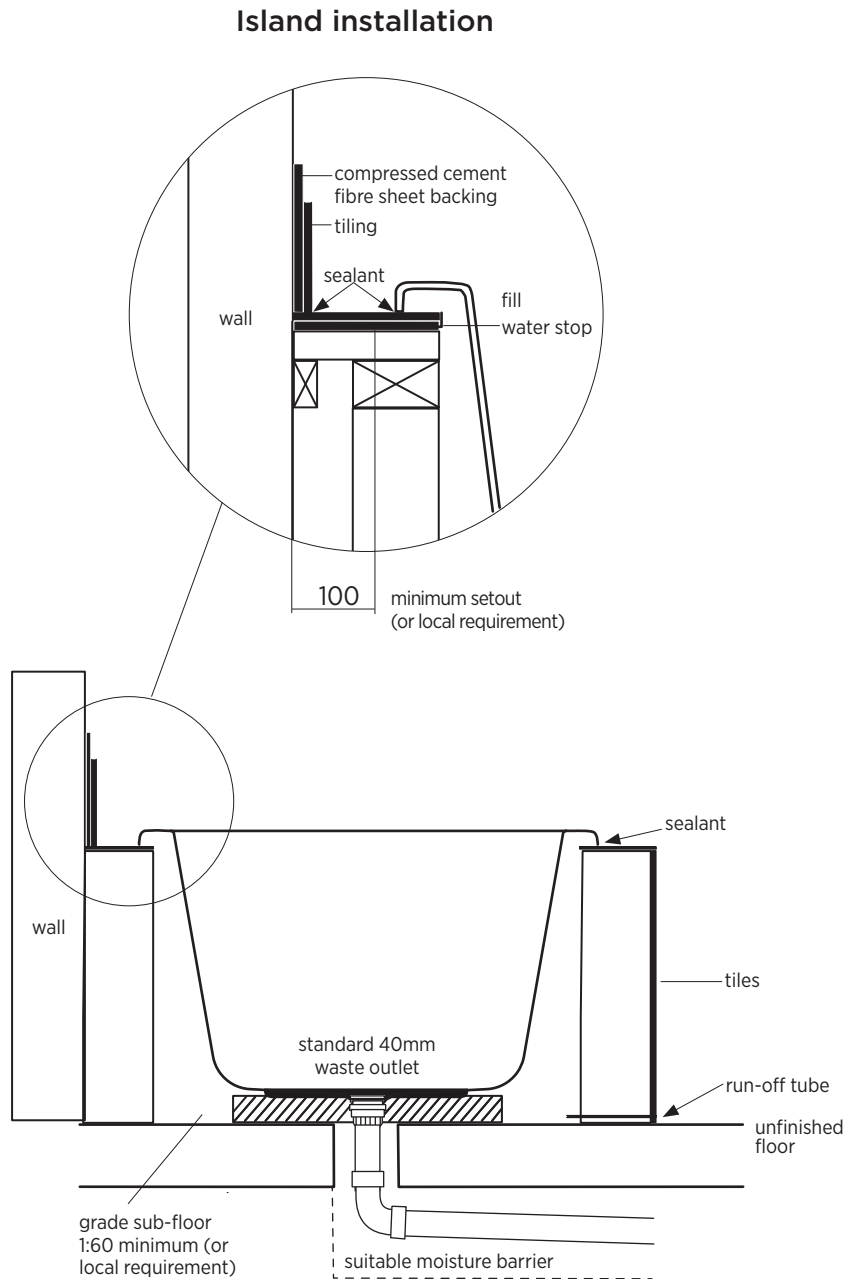
bathroom | kitchen | laundry

[seima.com.au](http://seima.com.au)**Please note**

- All measurements are in millimetres.
- Dimensions are nominal and subject to normal ceramic manufacturing variations of  $\pm 5$ mm.
- Fixing: Use acetic cured silicone sealant. Do not use epoxy type adhesives.
- Specifications may vary without notice as part of our continuous improvement practices.
- Clean with a damp cloth. Do not use abrasive cleaners, liquids or pastes.

## Paxi Island bath installation

- 1 **Island installation** — see diagram below — there is a ledge between the wall and the side of the bath. The minimum setout from the wall is 100mm. Refer to the local authority for local setout requirements.
- 2 Ensure that the area under the bath is **ventilated** in accordance with local requirements.



# SEIMA

bathroom | kitchen | laundry

seima.com.au

### Please note

- All measurements are in millimetres.
- Dimensions are nominal and subject to normal ceramic manufacturing variations of  $\pm 5\text{mm}$ .
- Fixing: Use acetic cured silicone sealant. Do not use epoxy type adhesives.
- Specifications may vary without notice as part of our continuous improvement practices.
- Clean with a damp cloth. Do not use abrasive cleaners, liquids or pastes.