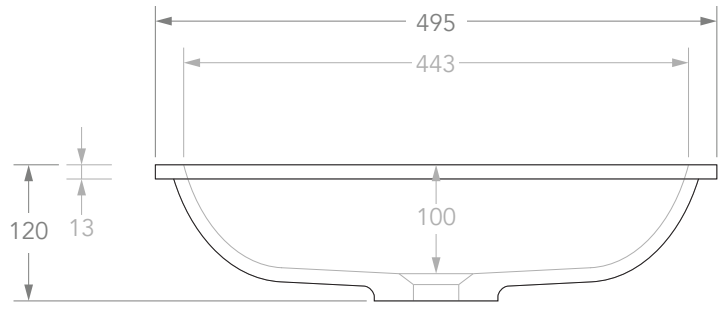
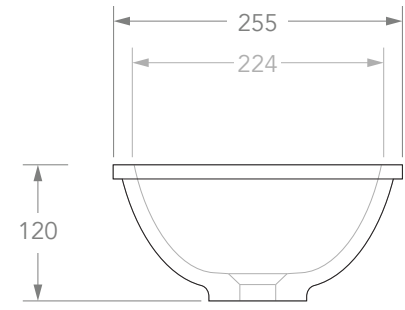


44DIA WASTE CENTRED



4L CAPACITY TO RIM



PRODUCT	HOPE	MATERIAL	SOLID SURFACE	NOTES: ALL DIMENSIONS ARE NOMINAL. DO NOT DRILL OR ROUGH IN UNTIL YOU HAVE RECEIVED AND MEASURED YOUR PRODUCT. BASIN SUITS 32MM WASTE. ADP UNIVERSAL PLUG AND WASTE RECOMMENDED (SOLD SEPARATELY). BASIN CUT-OUT IS 485 X 243 ROUNDED RECTANGLE FOR INSET AND 424 X 206 ROUNDED RECTANGLE FOR UNDERCOUNTER. CUT-OUT DXF DOWNLOAD AVAILABLE AT ADPAUSTRALIA.COM.AU ALL DIMENSIONS ARE IN MILLIMETRES. DO NOT MEASURE FROM DRAWING.
CODE	TOPTHOP5026**	COLOUR & FINISH	** MATTE WHITE (TS), GLOSS WHITE (G)	
STYLE	INSET / UNDER-COUNTER			
DIMENSIONS	495W X 255D X 120H			
CAPACITY	4L TO RIM			
VERSION 3	DATE 23/04/2020			