

# Thermorail Floor to Ceiling Rail

240Volt Heated Towel Rail

# Contents

What's in the box? ..... 3

Concealed Wiring Installation ..... 4

Technical Specifications ..... 5

Safety & Care Information ..... 6

Warranty Information ..... 7

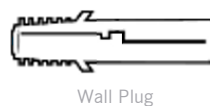
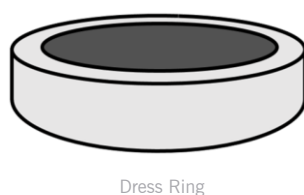
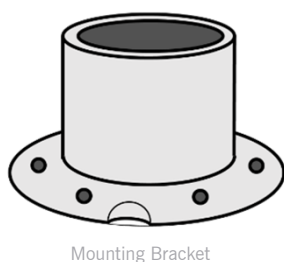
Warranty Registration ..... 7

Contact Us ..... 8

# What's in the box?

## Check you've got everything:

- Thermorail Floor to Ceiling Rail
- 4 x Mounting Brackets
- 4 x Dress Rings
- 12 x Fixing Screws
- 12 x Wall Plugs

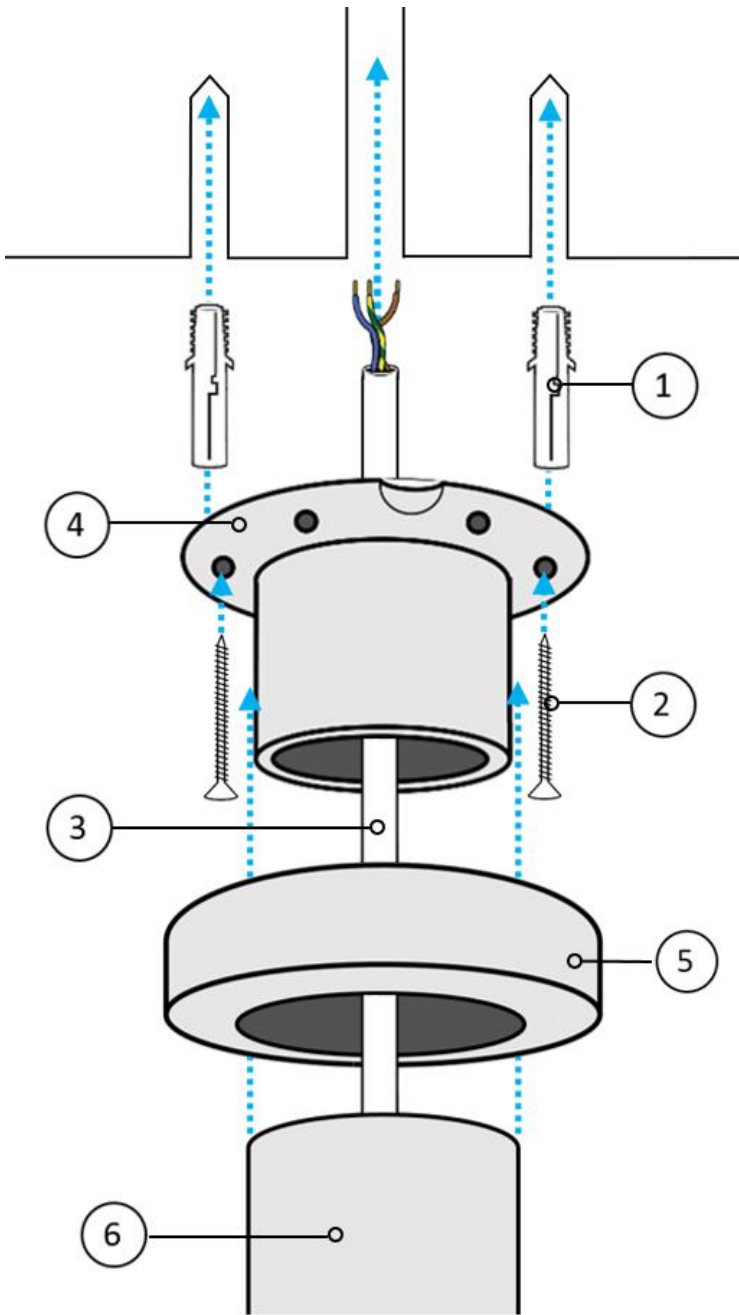


Please note these parts are not to scale

## You will also need:

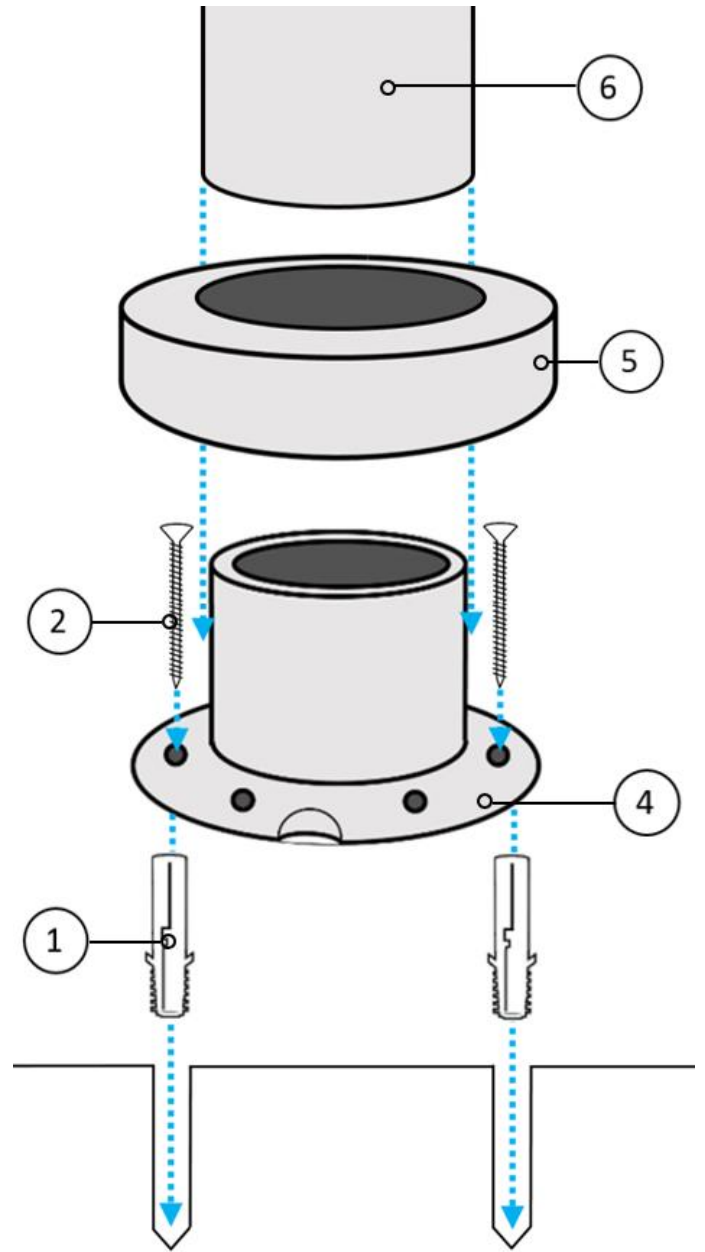
- Cross Head Screwdriver
- Pencil
- Spirit Level
- Tape Measure
- Drill Bits (6mm & 12mm)
- Cordless Drill
- Electrical Supply

# Concealed Wiring Installation



## Key

- 1. Wall plug
- 2. Fixing screw
- 3. Electrical cable



- 4. Mounting bracket
- 5. Dress ring
- 6. Towel rail

# Concealed Wiring Installation

The Thermorail FC70R can only be installed with concealed wiring (Hardwired), with the electrical supply connected at the bottom or top, left or right hand mounting point.

## 1. Install the Bottom Mounting Brackets

First, decide where you want to position the rail and at which point you want the wiring. Measure and mark out the two floor bracket positions. Drill pilot holes at these two points and insert the wall plugs provided. Now fix the two mounting brackets in place using the countersunk screws and a cross head screwdriver. Slide the dress rings onto the bottom two legs of the rail and place the rail over the two brackets on the floor.

## 2. Install the Top Mounting Brackets and Fix Thermorail in Place

Slide the dress rings over the two top legs of the rail and place the mounting brackets inside the top of the legs. Measure the actual position of the top two mounting brackets ensuring the rail is straight and mark and drill the pilot holes. At the mounting point that the electrical cable goes through a larger hole is required. Pass the wiring through the larger hole and connect to the main power supply. Insert the wall plugs and fix the mounting brackets into position using the countersunk screws and a cross head screwdriver. Slide the dress rings towards the mounting brackets and clip in place.

## Technical Specifications

CODE	NO. OF BARS	SIZE (MM)	OUTPUT WATTAGE	IP RATING
FC70R	16	W700 x H2400-3000 x D50	230	IP45

Supply Voltage	240V 50Hz
Wiring Side	Left or Right
Wiring Method	Concealed Wiring (Hardwired)
Warranty	7yrs

# Safety and Care Information

## Safety Information

Thermorail Heated Towel Rails should be installed and tested by a qualified electrician and in accordance with current local regulations.

Please read and understand this installation guide in full before commencing installation. If you have any queries in regards to installation, please call 1300 368 631.

- Observe and adhere to electrical guidelines and IP ratings when placing your Thermorail in wet areas
- Ensure any timers or switches used are installed in correct zones according to the IP rating of the timer/switch
- Ensure that your Thermorail is protected by a suitably rated RCD circuit
- Do not use the towel rail to hold towels or other articles that have been in contact with oil, petroleum based products or dry cleaning fluids
- This appliance is intended to warm and dry towels and therefore is hot to touch. When near young children or infirm persons, close supervision is necessary.
- Do not immerse your Thermorail in any liquid
- Ensure the rail is the correct height for the room into which it is to be installed. If the height is incorrect the rail can be cut to size on site. When cutting the leg that contains the electrical cable insert another tube inside to ensure the electrical cable is not damaged
- Ensure that there is suitable support in the ceiling in which to screw the top mounting brackets to

## Care Information

The Stainless Steel finish of your Thermorail Heated Towel Rail is hard wearing and easy to maintain. However any harsh scrubbing, scratching or acid based cleaning products will damage the surface of your towel rail. Cleaning with a soft cloth and a non-abrasive cleaning agent will give the best results.

# Warranty Information

Thermogroup covers all its products with a satisfaction guarantee. In addition, Thermogroup will supply a replacement product where a fault is shown to be caused by manufacture, materials or workmanship providing the goods have been installed correctly and according to installation instructions. This guarantee does not include removal, freight or installation costs. Thermogroup's products come with guarantees that cannot be excluded under Australian Consumer Law and you are entitled to a replacement or refund for a major failure & compensation for any other reasonable foreseeable loss or damage. You are also entitled to have the goods repaired or replaced if the goods fail to be of acceptable quality and the failure does not amount to a major failure.

The Thermorail FC70R has a 7 year warranty. To use the warranty, repair or service the customer must provide purchase invoice/receipt, and completed warranty registration form.

If the product develops a fault within the warranty period due to normal wear and tear, Thermogroup at its discretion will recognise whether it's a faulty product or not. If it is impossible or not economical for the manufacturer to repair the product, the manufacturer will replace the faulty product with a new unit of the same model or if there is no stock available of the same model as the product, the manufacturer will replace the product with a new unit of a similar size. No responsibility can be taken for altered dimensions and lining up of existing holes.

The repair service offered within the warranty period only covers the faults and problems as developed from the manufacturer's errors. Any damage caused by improper use or carelessness or incorrect wiring is not covered.

Thermogroup is not responsible for any monetary loss or injuries caused by improper use of this product.

## Warranty Registration

The Thermorail Heated Towel Rail warranty against manufactures defects is a limited liability warranty and will only apply if the product is registered online. Online registration must be completed within 60days of installation. Failure to complete this form will void the warranty.

## International contact details

### AU Enquiries

Thermogroup AU  
sales@thermogroup.com.au  
www.thermogroup.com.au  
1300 368 631

### UK Enquiries

Thermogroup UK  
sales@thermogroupuk.com  
www.thermogroupuk.com  
0800 019 5899

### EU Enquiries

Thermogroup EU  
sales@thermogroupeu.com  
www.thermogroupeu.com  
00353 (0)1 866 0584

# Thermogroup



That little bit extra...