

Installation Instructions



Mirror

For safety reasons, we kindly ask you to read the installation instructions before fitting and using the product. The installation must be carried out by licensed electricians. Please consult with a qualified electrician to confirm appropriate compliant installation location.

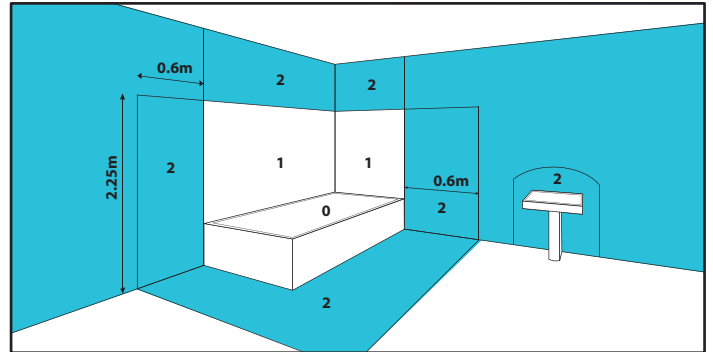
Handling Tips:

Never place the mirror on hard surface and always lift it with two people.

Fitting instruction

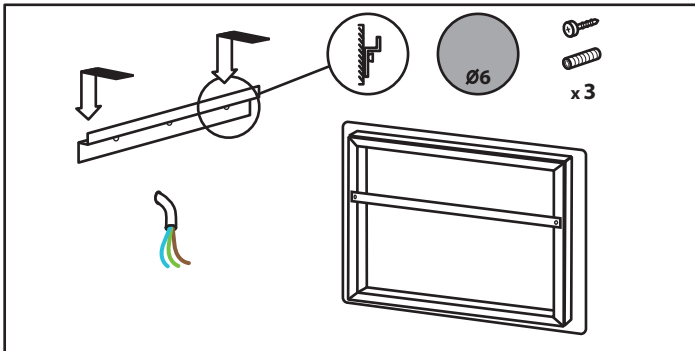
1. Different hanging system is provided depending on the design of the mirror. Refer to diagram below and hanging system provided along with the mirror.
2. Measure and Install the hanging system on the wall using the appropriate wall fixings.
3. Complete all required electrical connections in the included electrical junction box in accordance to IEE regulations and hang the mirror.

Zone Diagram

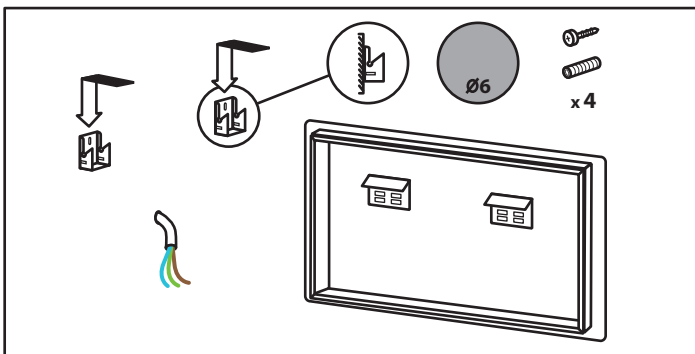


Installation

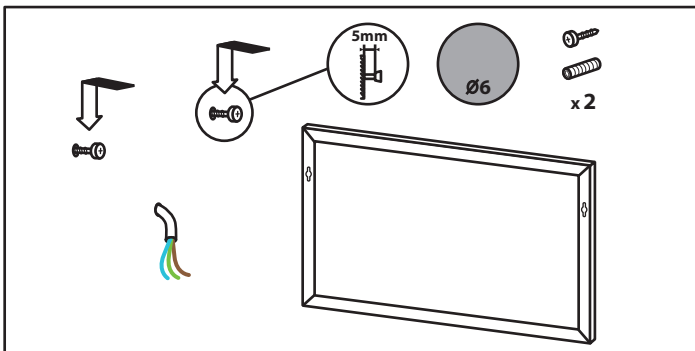
1.



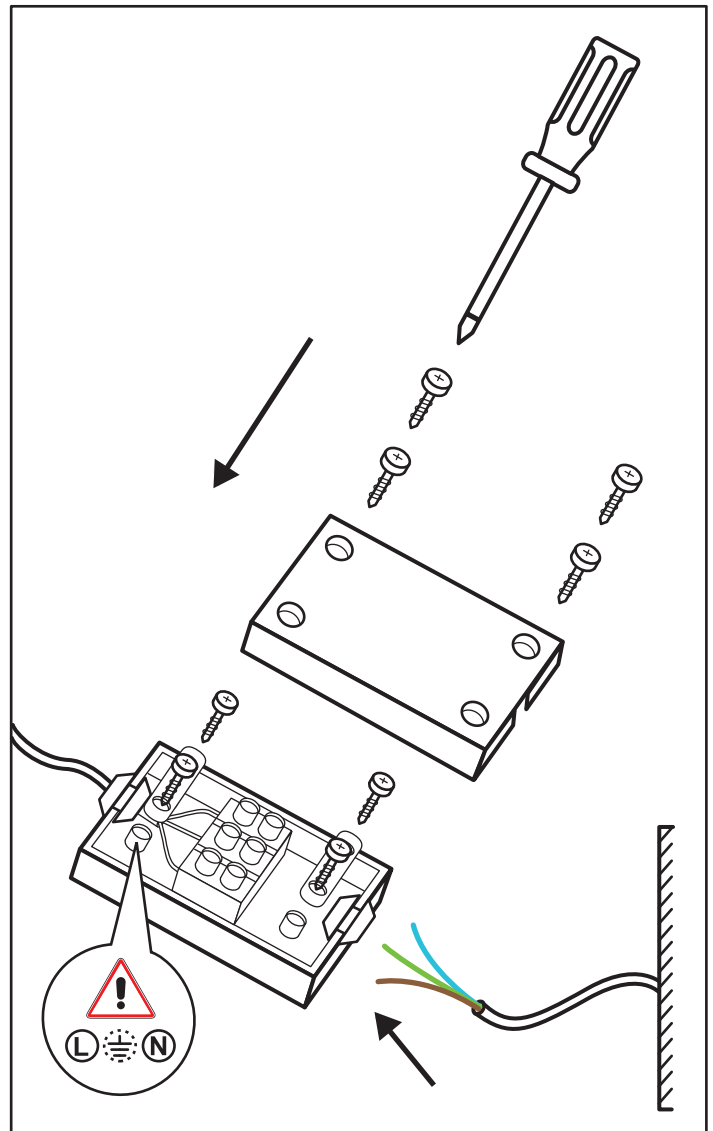
OR



OR



2.



Manual Instruction

Note: When the button is lit, the function is switched off and vice versa, the function is switch on when the button is not lit.

1. Touch switch for light and other functions (Demister and Bluetooth). Switch on/off by pressing on the button.
2. Digital Clock
 - a. The digital clock is operating when the light of clock button is out.
 - b. To adjust the time, press and hold the clock button for 3 seconds or until the first digit starts flashing. Press the clock button again to adjust the time. Once the hours of time are set, release finger and wait for the minute digits to flash before setting the minutes.
3. Bluetooth speaker
 - a. Press the Bluetooth button until you hear the tone.
 - b. Go to Bluetooth settings on your device and select "Remer" from the list.
 - c. Control the volume and playlist via device.

General information and maintenance

1. Use appropriate wall fixing for your wall type.
2. The mirror is suitable for zone 2 or higher. Refer to the zone diagram.
3. Switch off the electrical supply at the mains before the installation and maintenance.
4. Do not leave the mirror on for prolonged period.
5. For cleaning and maintenance, wipe the mirror surface with a few drops of methylated spirits or isopropyl alcohol on a slightly damp cloth.

For more information, please visit our website. www.remer.com.au