



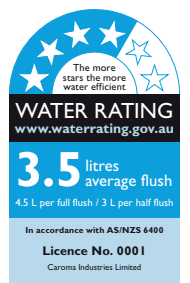
Revision: 4

Date: June 2020

Supersedes all previous issues

Urbane Compact Invisi II Suite

4.5/3 litre Dual Flush Toilet Suite with
Urbane Compact Wall Faced Box Rim Vitreous China Pan
and Invisi II Cistern for Inwall, Under Counter, Induct or
Inceiling applications



Urbane Compact Invisi II

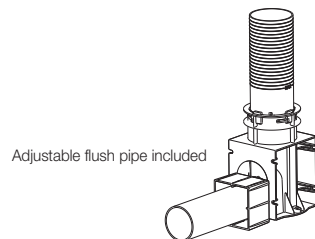


Pictured with Urbane Compact soft close seat

A classic designed wall faced concealed toilet suite comprises the **Urbane Compact** pan with short projection (460mm) and the trusted Caroma **Invisi II** cistern to suit small bathroom spaces in domestic and commercial projects. The smooth sided pan matched with the concealed cistern offer a seamless finish to your bathroom. Choose from a variety of buttons from the Caroma range to complete your desired look. The adjustable flush pipe is a new feature for the Invisi II system. If the pan inlet hole is higher than the flush pipe due to floor tiling height variations, the flush pipe can be raised by up to 25mm.

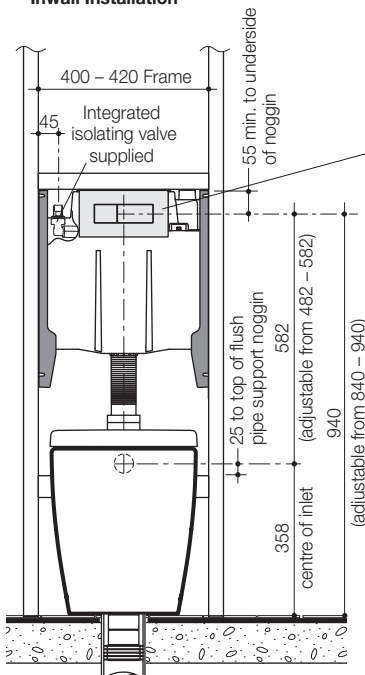
- Pan:** **Urbane Compact** wall faced back inlet 4.5 litre full flush box rim pan
- Traps:** P-trap only, unvented.
- Inlet:** Fully glazed 50mm back inlet for concealed cistern and flushvalve installation.
- Cisterns and Flushvalves:** **Invisi II** cistern – suitable for inwall, under counter, induct and in ceiling applications. *For push button and access plate (supplied separately) options see chapter 6.15.1 CISTERNS of the Caroma Technical Manual.*
- Fixing:** The pan can be fixed to the floor by either bedding into mortar or using the D82 Concealed Fixing Bracket.
- Seats:** The **Urbane Compact** soft close quick release toilet seat is provided as standard with the Urbane Compact suite. *See chapter 5.01 SEATS of the Caroma Technical Manual for further details.*
- Colours:** White only.
- Installation:** The installation of the toilet suite shall be in accordance with the normal minimum drainline grade requirements in AS/NZS 3500.2.
- Dimensions:** All dimensions are in millimetres and are subject to normal manufacturing variations. Caroma pursues a policy of continuing improvement in design and performance of its products. The right is therefore reserved to vary specifications without notice.

Urbane Compact Invisi II Smartflush Suite Inwall/Under Counter Installations

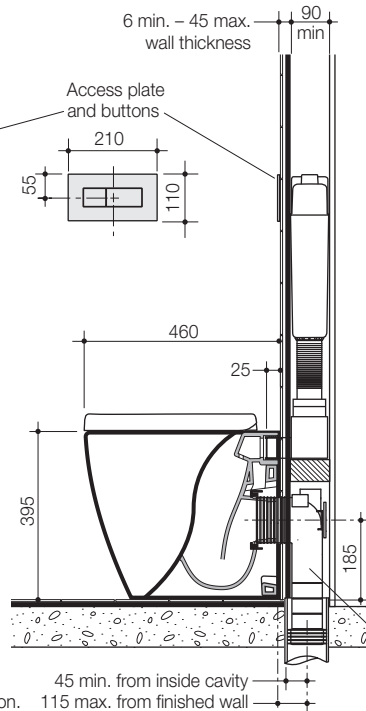


Urbane Compact Invisi II 4.5/3 litre Wall Faced Toilet Suite with Back Inlet Pan, Internal Overflow Cistern and Seat:	Code No.
Inwall/Under Counter/Induct/Inceiling	741500
Button options: see 6.15.1	

Inwall Installation



Note: access to cistern internals can be achieved through either front or top mount button option.



Under Counter Installation (optional under counter flush pipe 237222 is required)

