

# EVENT LIGHTING

## SABER

2 x Cree 12W RGBW LED colored beams effect from 28 lenses with DMX

## USER MANUAL



**For safety, please read this user manual carefully before initial use.**

Event Lighting reserves the right to revise the manual at any time. Information and specifications within this manual are subject to change without notice. Event Lighting assumes no liability or responsibility for any errors or omissions. Please consult Event Lighting for any clarification or information regarding this item.

[www.event-lighting.com.au](http://www.event-lighting.com.au)

Ver 1.0

## CONTENTS

Introduction, safety instructions, product Installation	Page 2
Dimensions, control board operation	Page 3
Menu Map	Page 4
DMX chart	Page 5
Technical specifications, warranty	Page 6

## Introduction

With two high powered RGBW LEDs firing angular beams out of 28 lenses you'll be surprised at the coverage and intensity of this classic effect. Blades of sharp coloured light randomly criss-cross in every direction creating an exciting lighting display. You can use sound active or choose from a host of auto programs or DMX. Other pro features include smart cooling and high quality CREE LEDs, with power in and out connectors for easy cabling. The **SABER** is a compact and lightweight effect that looks superb with or without fog, and a worthy addition to any light show.

## Safety Instructions

### WARNING

- Do not open this device, there is no user-serviceable parts inside. Risk of electric shock.
- Do not look at the light source when the device is on.
- **CAUTION:** This unit's housing may be hot during and after operation.
- Install this device in a location with adequate ventilation, at least 20 inch (50 cm) from adjacent surfaces.
- Do not leave any flammable material within 50 cm of this unit while operating or connected to power.
- Use a safety chain when mounting this device overhead.
- Do not operate this device outdoors or in any location where dust, excessive heat, water, or humidity may affect it.
- Do not operate this device if the housing, lenses, or cables appear damaged.
- Do not connect this device to a dimmer or rheostat.
- **ONLY** connect this device to a grounded and protected circuit.
- **ONLY** use the hanging bracket to carry this device.
- In case of a serious operating problem, stop using immediately.
- The maximum ambient temperature is 104° F (40° C). Do not operate this device at higher temperatures.

## Power Input & Power Linking

This device has an auto-switching power supply work with input voltage range of 100~240 VAC, 50/60 Hz. Link up to the maximum 8A. DO NOT exceed this number.

## Product Installation

This device can be mounted in many orientations provided each individual device is secured by the use of correct mounting bracket.

Use a safety chain when mounting this device overhead.

## Fuse Replacement

If the fine-wire fuse of the device fuses, only replace the fuse by a fuse of same type and rating. Before replacing the fuse, unplug mains lead.

### Procedure:

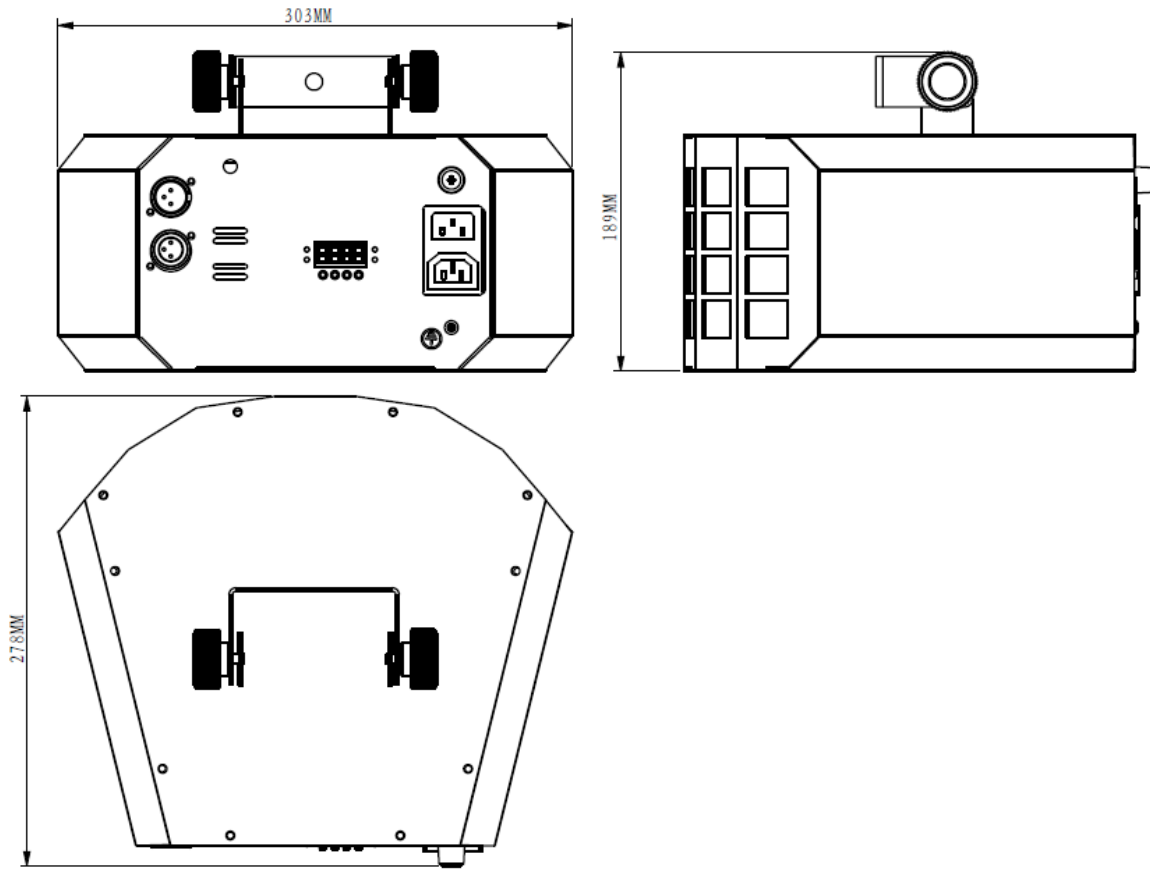
Step 1: Unscrew the fuse holder on the rear panel with a fitting screwdriver from the housing (anticlockwise).

Step 2: Remove the old fuse from the fuse holder.

Step 3: Install the new fuse in the fuse holder.

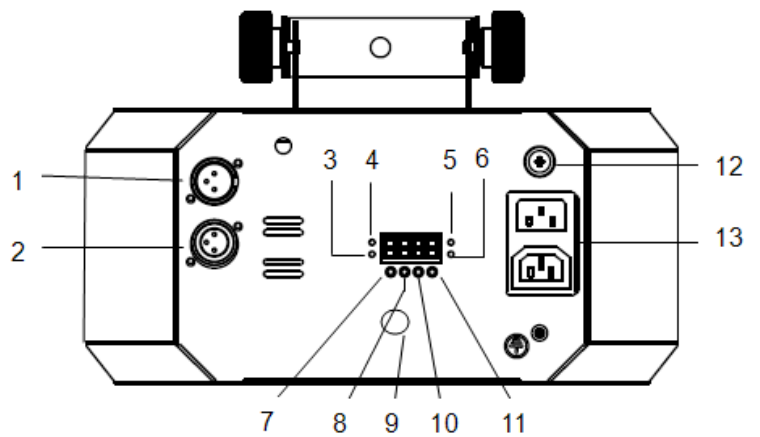
Step 4: Replace the fuse holder in the housing and fix it.

## Dimensions



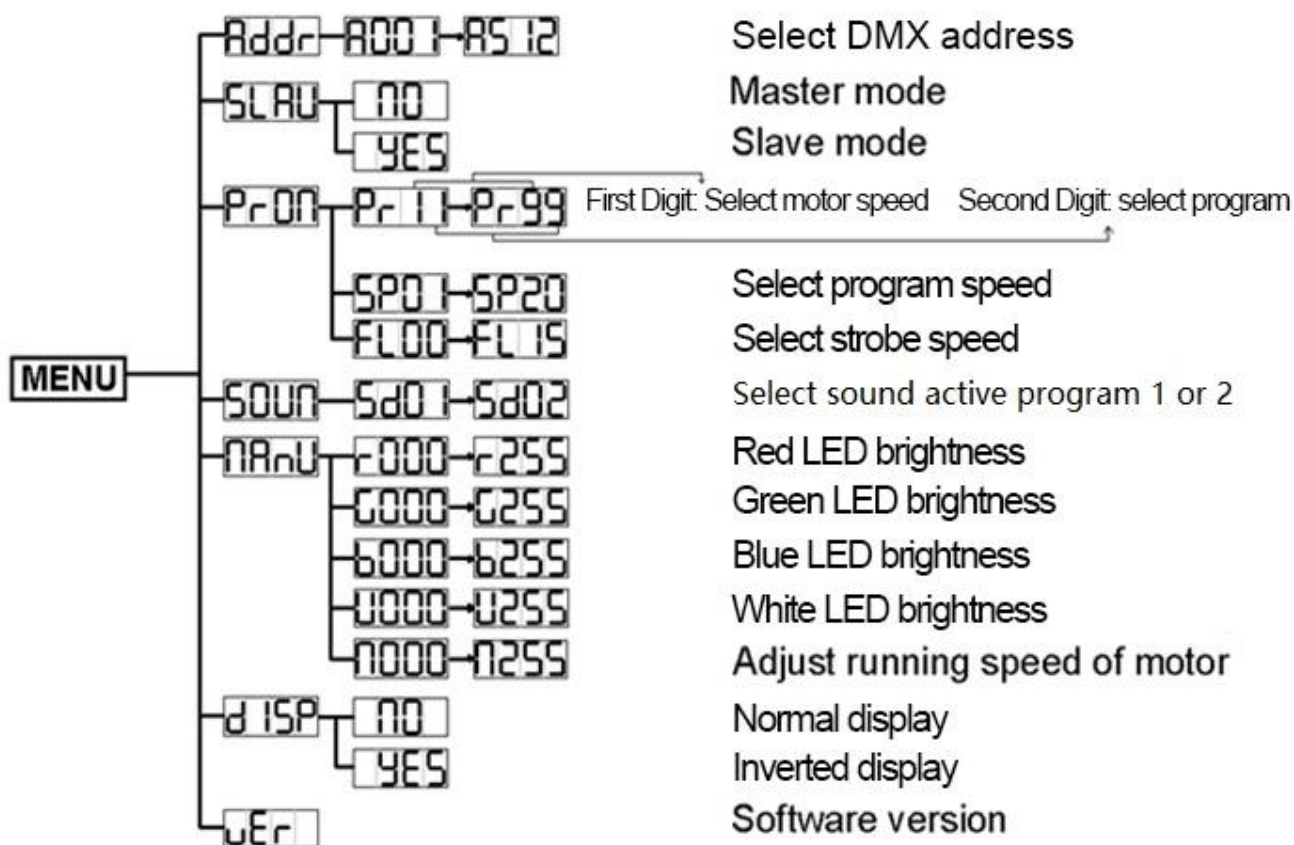
## Control Panel

1. DMX input socket
2. DMX output socket
3. DMX signal LED indicator (on/off)
4. Master mode LED indicator (on/off)
5. Slave mode LED indicator (on/off)
6. Sound active mode LED indicator (flash/off)
7. MENU/RETURN button (select an operation mode or return to previous screen)
8. UP button
9. Microphone
10. DOWN button
11. ENTER button (change or activate menu options)
12. Fuse: T3A M205
13. IEC power input / output socket



## Menu Map

Press the MENU button to select an operation mode or return to previous menu. Use UP and DOWN button to navigate the menu. Press the ENTER button to change or activate menu options.



## DMX Chart

Channel	Value	Ch 1 ( 019 – 255 ) Function	Ch 1 (000 – 018 ) Function
<b>Ch 1</b>	000 - 018		Switch on colour dimmer DMX mode
	019 - 038	Auto show 1	
	039 - 058	Auto show 2	
	059 - 078	Auto show 3	
	079 - 098	Auto show 4	
	099 - 118	Auto show 5	
	119 - 138	Auto show 6	
	139 - 158	Auto show 7	
	159 - 178	Auto show 8	
	179 - 198	Auto show 9	
	199 - 227	Sound active show 1	
228 - 255	Sound active show 2		
<b>Ch 2</b>	000 - 255	motor speed adjustment	Master dimmer
<b>Ch 3</b>	000 - 255	colour change speed adjustment	strobe speed adjustment
<b>Ch 4</b>	000 - 255	strobe speed adjustment	Red 0% ~ 100%
<b>Ch 5</b>	000 - 255		Green 0% ~ 100%
<b>Ch 6</b>	000 - 255		Blue 0% ~ 100%
<b>Ch 7</b>	000 - 255		White 0% ~ 100%
<b>Ch 8</b>	000 - 009		The motor stops
	010 - 128		Counter clockwise rotation speed adjustment ( slow to fast)
	129 - 137		The motor stops
	138 - 225		Clockwise rotation speed adjustment (slow to fast)

## TECHNICAL SPECIFICATIONS

- Power supply: 100~240 V AC, 50/60 Hz
- Power consumption:30W
- Light Source: 2pcs CREE 12W RGBW LED
- Power Connection: IEC power input and output connection
- LED Life: 50,000 hours
- Coverage Angle: 130 degree
- Control: DMX512 3-pin XLR interfaces, 8 channel DMX mode
- 4-button LED display control panel
- Power linking: 20 units at 240V AC
- Smart cooling system without fan
- Operation modes: 8 Ch DMX, 9 sets of auto show, 2 sets of sound active show, master/slave mode, manual control mode
- Fuse: F2A M205
- Net weight: 3.1kg
- Overall size: 290 x 303 x213 mm

## WARRANTY

**Please refer to your local dealer or please contact Event Lighting Pty Ltd**

**Website: [www.event-lighting.com.au](http://www.event-lighting.com.au).**