

EVENT LIGHTING

DARKSTAR

20 x 3W RGBW LED fat beams + 12 x 1W LED strobe effect light with IR remote & DMX

USER MANUAL



For safety, please read this user manual carefully before initial use.

Event Lighting reserves the right to revise the manual at any time. Information and specifications within this manual are subject to change without notice. Event Lighting assumes no liability or responsibility for any errors or omissions. Please consult Event Lighting for any clarification or information regarding this item.

www.event-lighting.com.au

Ver 1.0

CONTENTS

Introduction, safety instructions, product Installation	Page 2
Overview, dimensions, control board operation	Page 3
Menu Map, IR remote operation	Page 4
DMX chart	Page 5 - 8
Technical specifications, warranty	Page 8

Introduction

The **DARKSTAR** will blow you away with the versatile output available from this awesome new effect. With fat multi-coloured beams firing out of 5 lenses and a blinding white strobe effect, the **DARKSTAR** brings a dynamic and exciting atmosphere to any party or special event. The power on offer is incredible with a massive selection of 34 auto and sound active shows, or run via DMX. Pro features are standard including “smart” fanless cooling and power in/out connectors for easy cabling. A unique housing design and special optics produce wide beams similar to a moving head. Add the strobe and chase effects and you have one very serious party effect.

Safety Instructions

WARNING

- Do not open this device, there is no user-serviceable parts inside. Risk of electric shock.
- Do not look at the light source when the device is on.
- **CAUTION:** This unit's housing may be hot during and after operation.
- Install this device in a location with adequate ventilation, at least 20 inch (50 cm) from adjacent surfaces.
- Do not leave any flammable material within 50 cm of this unit while operating or connected to power.
- Use a safety chain when mounting this device overhead.
- Do not operate this device outdoors or in any location where dust, excessive heat, water, or humidity may affect it.
- Do not operate this device if the housing, lenses, or cables appear damaged.
- Do not connect this device to a dimmer or rheostat.
- **ONLY** connect this device to a grounded and protected circuit.
- **ONLY** use the hanging bracket to carry this device.
- In case of a serious operating problem, stop using immediately.
- The maximum ambient temperature is 104° F (40° C). Do not operate this device at higher temperatures.

Power Input & Power Linking

This device has an auto-switching power supply work with input voltage range of 100~240 VAC, 50/60 Hz. Link up to the maximum 8A. DO NOT exceed this number.

Product Installation

This device can be mounted in many orientations provided each individual device is secured by the use of correct mounting bracket.

Use a safety chain when mounting this device overhead.

Fuse Replacement

If the fine-wire fuse of the device fuses, only replace the fuse by a fuse of same type and rating.

Before replacing the fuse, unplug mains lead.

Procedure:

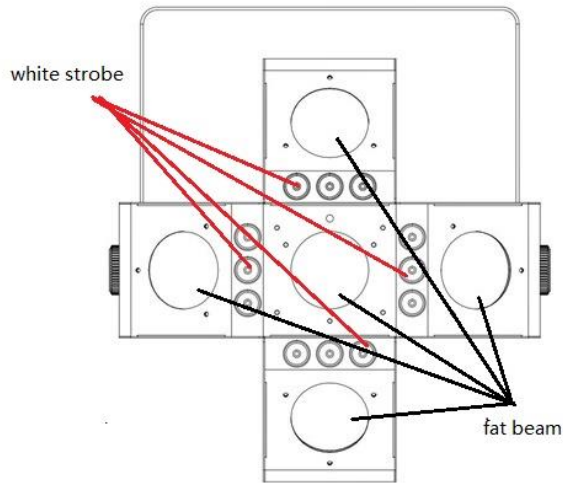
Step 1: Unscrew the fuse holder on the rear panel with a fitting screwdriver from the housing (anticlockwise).

Step 2: Remove the old fuse from the fuse holder.

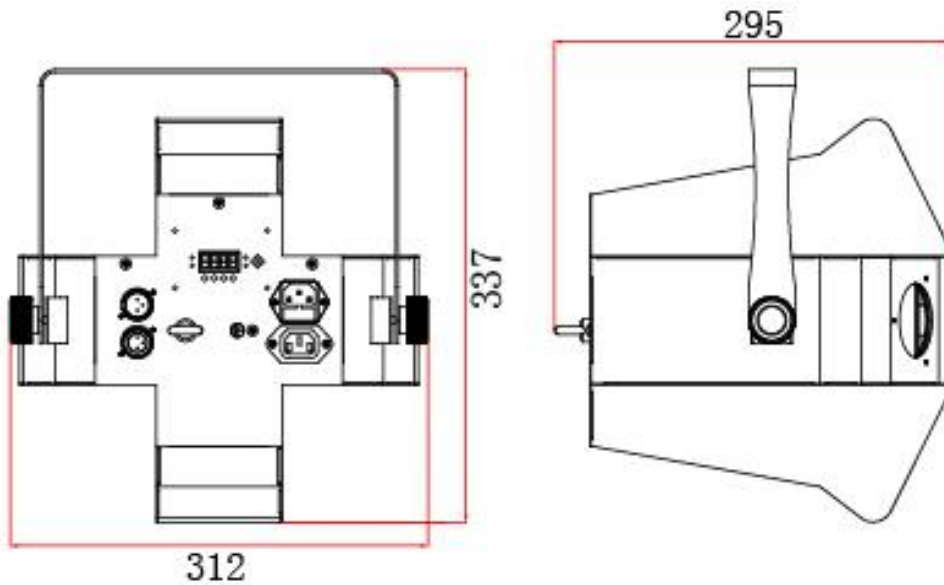
Step 3: Install the new fuse in the fuse holder.

Step 4: Replace the fuse holder in the housing and fix it.

Overview

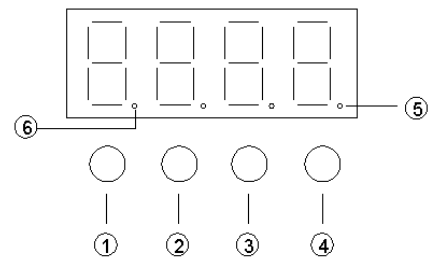


Dimensions



Control Panel Operation

1. MENU button: select an operation mode or return to previous screen
2. UP button: move up the menu or select higher value
3. DOWN button: move down the menu or select lower value
4. ENTER button: change or activate menu options
5. DMX signal LED indicator: This LED will flash when the DMX is connected.
6. Master / Slave mode indicator: This LED will flash when the machine is in slave mode.

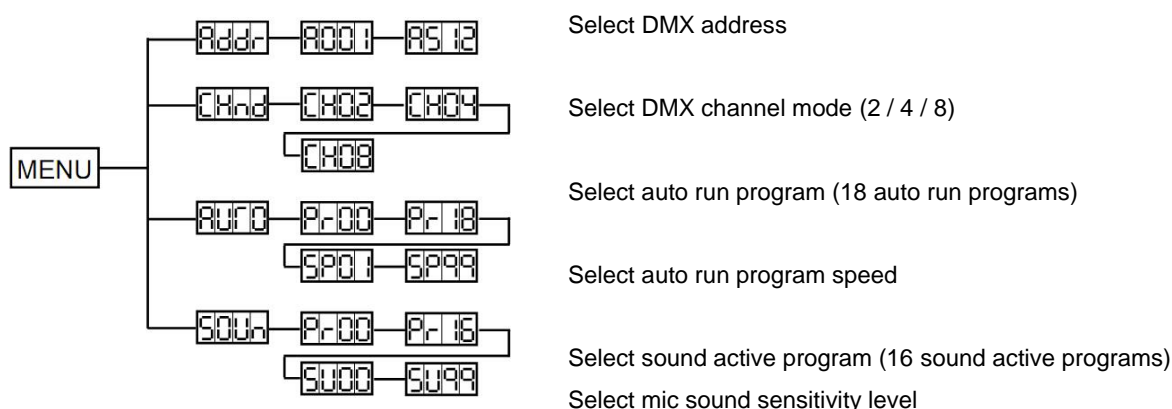


The LED display will switch off after ten seconds. Press any button to turn the display on.

When the Orbit is connected via DMX or SLAVE signal, it automatically activates DMX or SLAVE mode. If you disconnect the DMX or SLAVE signal, it will return to the previous setting.

Menu Map

Press the MENU button to select an operation mode or return to previous menu. Use UP and DOWN button to navigate the menu. Press the ENTER button to change or activate menu options.



IR Remote Control Operation

1. Auto: The fixture will select autorun 0 by default. Use +/- to adjust the program speed. There are 8 speed levels that can be selected via the remote. Autorun programs 1 to 10 can be selected via the remote by entering digits. (Note: Autorun program 10 is selected by digit "0")
2. Sound: The fixture will select the last used sound active program setting by default. Select the next sound active program in the sequence by pressing "Sound" again. You can also use +/- to select different sound active programs. Sound active programs 0 to 9 can be selected via the remote by entering digits.
3. DMX: Select a DMX address by holding the button for 2 seconds, followed by entering the 3-digit DMX address. The fixture must not be connected to a DMX input signal when entering the address.
4. Black Out
5. Red: Switch on red LED
6. Green: Switch on green LED
7. Blue: Switch on blue LED
8. White: Switch on white LED
9. Jump: Select the next program in the autorun program sequence, from 0 to 16, by pressing "Jump".
10. Fade: Select autorun program 17 (includes fade effects) by pressing "Fade". Select autorun program 18 (includes fade effects) by pressing "Fade" again. To return to program 17, press "Fade" again.
11. Color: Select red, green, blue, white
12. Flash: Select strobe functions when the fixture is in autorun or colour modes. When in autorun mode, press "Flash" to activate the 12 strobe LED's. Adjust the speed with +/-, there are 8 speed levels that can be selected via the remote. When in colour mode, press "Flash" to strobe/flash the 5 fat beam LED's, the strobe LED's will remain off. Adjust the speed with +/-, there are 8 speed levels that can be selected via the remote.



DMX Chart

2 Channels Mode

Ch1		Ch2	
Value	Function	Value	Function
000-010	No function		
011-015	Sound active mode 0 (The fixture will cycle through programs 1-16, running each program through 1 cycle then moving to the next program.)	000 - 255	Mic sensitivity adjustment
016-022	Sound active mode 1		
023-029	Sound active mode 2		
030-036	Sound active mode 3		
037-043	Sound active mode 4		
044-050	Sound active mode 5		
051-057	Sound active mode 6		
058-064	Sound active mode 7		
065-071	Sound active mode 8		
072-078	Sound active mode 9		
079-085	Sound active mode 10		
086-092	Sound active mode 11		
093-099	Sound active mode 12		
100-106	Sound active mode 13		
107-113	Sound active mode 14		
114-120	Sound active mode 15		
121-127	Sound active mode 16		
128-147	Auto run mode 0 (The fixture will cycle through programs 1-18, running each program through 1 cycle then moving to the next program.)	000 - 255	Auto run speed adjustment
148-153	Auto run mode 1		
154-159	Auto run mode 2		
160-165	Auto run mode 3		
166-171	Auto run mode 4		
172-177	Auto run mode 5		
178-183	Auto run mode 6		
184-189	Auto run mode 7		
190-195	Auto run mode 8		
196-201	Auto run mode 9		
202-207	Auto run mode 10		
208-213	Auto run mode 11		
214-219	Auto run mode 12		
220-225	Auto run mode 13		
226-231	Auto run mode 14		
232-237	Auto run mode 15		
238-243	Auto run mode 16		
244-249	Auto run mode 17		
250-255	Auto run mode 18		

4 Channels Mode

Chanel	Function	Value	Detail Function
Ch 1	Master dimmer	000 - 255	Master dimmer for all LED from 0% to 100%
Ch 2	Strobe selection effect	000 - 010	Black out
		011 - 249	Strobe (slow to fast 1 - 20Hz)
		250 - 255	Strobe off
Ch 3	Beam selection colour effect setting	000 - 015	No function
		016 - 031	Red
		032 - 047	Green
		048 - 063	Blue
		064 - 079	White
		080 - 095	Red / Green
		096 - 111	Red / Blue
		112 - 127	Red / White
		128 - 142	Green / Blue
		143 - 159	Green / White
		160 - 174	Blue / White
175 - 255	Adjust automatic colour change (slow - fast)		
Ch 4	Beam selection strobe effect setting	000 - 005	Strobe off
		006 - 010	Black out
		011 - 249	Strobe (slow to fast 1 - 20Hz)
		250 - 255	Strobe off

8 Channels Mode

Chanel	Function	Value	Detail Function
Ch 1	Master dimmer	000 - 255	Master dimmer for all LED from 0% to 100%
Ch 2	Strobe selection effect	000 - 010	Black out
		011 - 249	Strobe (slow - fast 1 - 20Hz)
		250 - 255	Strobe off
Ch 3	1 st beam selection colour effect setting	000 - 015	No function
		016 - 031	Red
		032 - 047	Green
		048 - 063	Blue
		064 - 079	White
		080 - 095	Red / Green
		096 - 111	Red / Blue
		112 - 127	Red / White
		128 - 142	Green / Blue
		143 - 159	Green / White
		160 - 174	Blue / White
175 - 255	Adjust automatic colour change (slow - fast)		

Ch 4	2 nd beam selection colour effect setting	000 - 015	No function
		016 - 031	Red
		032 - 047	Green
		048 - 063	Blue
		064 - 079	White
		080 - 095	Red / Green
		096 - 111	Red / Blue
		112 - 127	Red / White
		128 - 142	Green / Blue
		143 - 159	Green / White
		160 - 174	Blue / White
		175 - 255	Adjust automatic colour change (slow - fast)
Ch 5	3 rd beam selection colour effect setting	000 - 015	No function
		016 - 031	Red
		032 - 047	Green
		048 - 063	Blue
		064 - 079	White
		080 - 095	Red / Green
		096 - 111	Red / Blue
		112 - 127	Red / White
		128 - 142	Green / Blue
		143 - 159	Green / White
		160 - 174	Blue / White
		175 - 255	Adjust automatic colour change (slow - fast)
Ch 6	4 th beam selection colour effect setting	000 - 015	No function
		016 - 031	Red
		032 - 047	Green
		048 - 063	Blue
		064 - 079	White
		080 - 095	Red / Green
		096 - 111	Red / Blue
		112 - 127	Red / White
		128 - 142	Green / Blue
		143 - 159	Green / White
		160 - 174	Blue / White
		175 - 255	Adjust automatic colour change (slow - fast)
Ch 7	5 th beam selection colour effect setting	000 - 015	No function
		016 - 031	Red
		032 - 047	Green
		048 - 063	Blue
		064 - 079	White
		080 - 095	Red / Green
		096 - 111	Red / Blue
		112 - 127	Red / White

		128 - 142	Green / Blue
		143 - 159	Green / White
		160 - 174	Blue / White
		175 - 255	Adjust automatic colour change (slow - fast)
Ch 8	Beam selection strobe effect setting	000 - 005	Strobe off
		006 - 010	Black out
		011 - 249	Strobe (slow to fast 1 - 20Hz)
		250 - 255	Strobe off

TECHNICAL SPECIFICATIONS

- Power supply: 100~240 V AC, 50/60 Hz
- Power consumption:75 W
- Light Source:
 - 20pcs 3W LED for fat beams effect (5pcs red, 5pcs green, 5pcs blue and 5pcs white)
 - 12pcs 1W white LED for strobe effect
- Power Connection: IEC power input and output connection
- LED Life: 50,000 hours
- Coverage Angle: 80 degree
- Control: DMX512 3-pin XLR interfaces, 2/4/8 channel mode, IR remote control
- 4-button LED display control panel
- Power linking: 15 units at 240V AC
- Smart cooling system without fan
- Operation modes: DMX, 18 sets of auto show, 16 sets of sound active show, master/slave mode, IR remote control
- Fuse: `F2A 250V
- Net weight: 4.6kg
- Overall size: 295 x 312 x 313 mm

WARRANTY

Please refer to your local dealer or please contact Event Lighting Pty Ltd

Website: www.event-lighting.com.au.