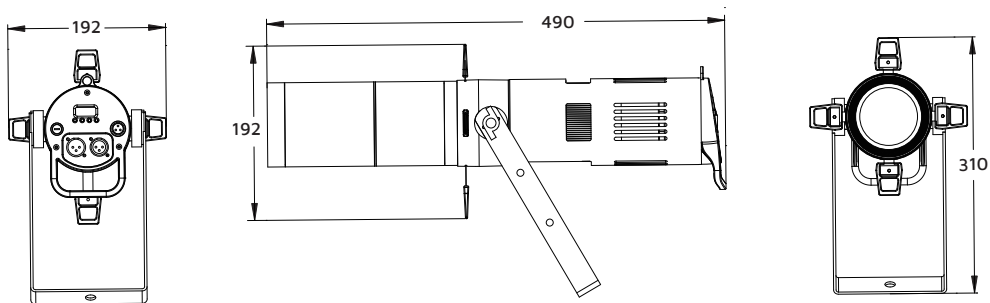


# ZOOMPRO

The versatile ZOOMPRO system is comprised of a 200 W Warm White LED Engine, with a choice of lenses. Options include two zoom profile lenses, fresnel lens and cyc lens.



<b>Photometrics</b>	ZOOMPRO
Light Source	200 W, 5,600 K COB LED
CRI	97+
PWM	8,000 Hz
LED Lifespan	50,000 hours
<b>Effects</b>	
Dimming	0~100%, 8/16-bit
Strobe	1~25 Hz
Zoom	Manual
<b>Power</b>	
Input Voltage	100~240 V AC, 50/60 Hz, 200 W
Connection	Fixed
<b>Control</b>	
Operation Modes	DMX, manual, master/slave
Control Protocol	DMX512
DMX Channels	1/2/3
Control Interface	3-pin XLR
<b>Housing</b>	
Housing Materials	Aluminium, matte black finish
Cooling	Sensor thermostat controlled variable speed fan
Overall Size	241*105*310 mm
Net Weight	9 kg



<b>Profile Lens</b>	ZPLP1828
Output	1,896 lux @ 5 m @ 18° 1,692 lux @ 5 m @ 28°
Beam Angle	18~28°
Overall Size	262*192*192 mm
Net Weight	1.9 kg

<b>Profile Lens</b>	ZPLP2636
Output	1,896 lux @ 5 m @ 26° 1,692 lux @ 5 m @ 36°
Beam Angle	26~36°
Overall Size	262*192*192 mm
Net Weight	1.9 kg



<b>Fresnel Lens</b>	ZPFL
Output	2,198 lux @ 2.5 m @ 16° 1,685 lux @ 2.5 m @ 25°
Beam Angle	16~25°
Field Angle	30~55°
Overall Size	105*105*151 mm
Net Weight	0.9 kg



<b>Cyc Lens</b>	ZPLPCYC
Output	230 lux @ 2.5 m @ 120°
Beam Angle	120°
Net Weight	0.4 kg

Profile Spot 18°~28°				
	5.0m	8.0m	10.0m	
<b>Lux @ 18°</b>	Ø1.58	Ø2.50	Ø3.16	
	1,896	750	480	
<b>Lux @ 28°</b>	Ø2.31	Ø3.69	Ø4.62	
	1,692	660	425	

Profile Spot 26°~36°				
	5.0m	8.0m	10.0m	
<b>Lux @ 26°</b>	Ø2.30	Ø3.69	Ø6.50	
	1,320	522	330	
<b>Lux @ 36°</b>	Ø3.25	Ø5.20	Ø6.50	
	1,225	479	305	

Fresnel				
	2.5m	5m	7.5m	
<b>Lux @ 16°</b>	Ø0.70	Ø1.40	Ø2.10	
	2,198	549	245	
<b>Lux @ 25°</b>	Ø1.11	Ø2.22	Ø3.33	
	1,685	421	187	

Cyc				
	2.5m	5m	7.5m	
<b>Lux @ 120°</b>	Ø8.66	Ø17.32	Ø25.98	
	230	58	29	