

# EVENT LIGHTING

## LED Profile Spot

PS200LECW PS200LEWW

Light Engines

PS19LENS PS26LENS PS36LENS

Lenses

## USER MANUAL



### **For safety, please read this user manual carefully before initial use.**

Event Lighting reserves the right to revise the manual at any time. Information and specifications within this manual are subject to change without notice. Event Lighting assumes no liability or responsibility for any errors or omissions. Please consult Event Lighting for any clarification or information regarding this item.

[www.event-lighting.com.au](http://www.event-lighting.com.au)

Ver 1.0

# CONTENTS

## Safety Instructions

- Power Input & Power Linking
- Product installation

## Product Installation

- Fuse replacement

## Product appearance

- Lux Chart
- Dimensions

## Control Board Operation

- DMX Addressing
- DMX Modes
- Dimmer Curves
- Static Settings

## DMX Values

## Technical Specifications

## Warranty

## Safety Instructions

### WARNING

- Do not open this device, there is no user-serviceable parts inside. Risk of electric shock.
- Do not look at the light source when the device is on.
- **CAUTION:** This unit's housing may be hot during and after operation.
- Install this device in a location with adequate ventilation, at least 20 inch (50 cm) from adjacent surfaces.
- Do not leave any flammable material within 50 cm of this unit while operating or connected to power.
- Use a safety chain when mounting this device overhead.
- Do not operate this device outdoors or in any location where dust, excessive heat, water, or humidity may affect it.
- Do not operate this device if the housing, lenses, or cables appear damaged.
- Do not connect this device to a dimmer or rheostat.
- **ONLY** connect this device to a grounded and protected circuit.
- **ONLY** use the hanging bracket to carry this device.
- In case of a serious operating problem, stop using immediately.
- The maximum ambient temperature is 104° F (40° C). Do not operate this device at higher temperatures.

### Power Input & Power Linking

This device has an auto-switching power supply work with input voltage range of 100~240 VAC, 50/60 Hz. Link up to the maximum 8A. DO NOT exceed this.

### Fuse Replacement

If the fine-wire fuse of the device fuses, only replace the fuse by a fuse of same type and rating. Before replacing the fuse, unplug mains lead.

#### Procedure:

Step 1: Unscrew the fuse holder on the rear panel with a fitting screwdriver from the housing (anticlockwise).

Step 2: Remove the old fuse from the fuse holder.

Step 3: Install the new fuse in the fuse holder.

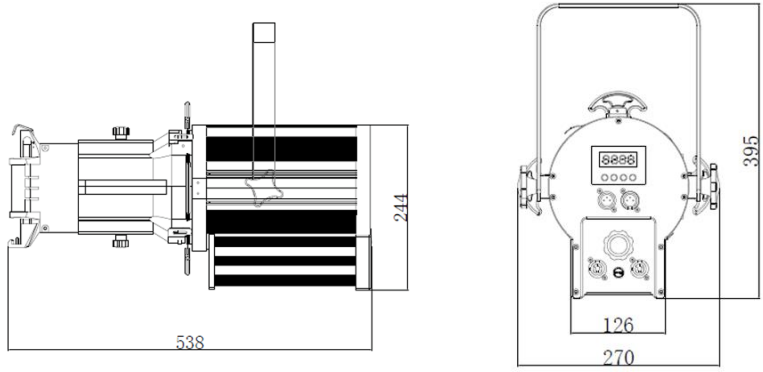
Step 4: Replace the fuse holder in the housing and fix it.

### Product Installation

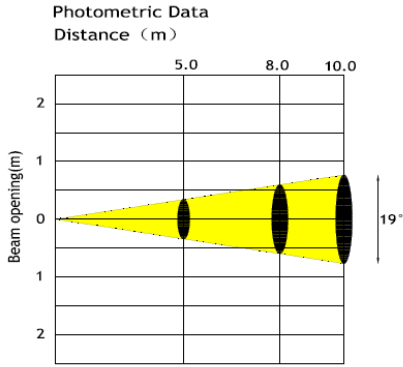
This device can be mounted in many orientations provided each individual device is secured by the use of correct mounting bracket.

Use a safety chain when mounting this device overhead.

# Dimensions

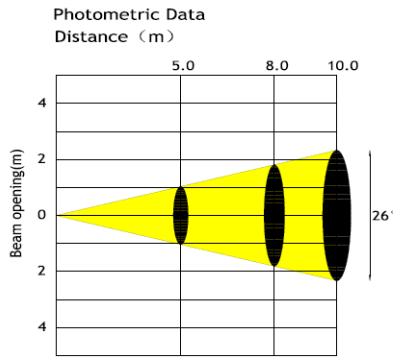


# Lux Chart



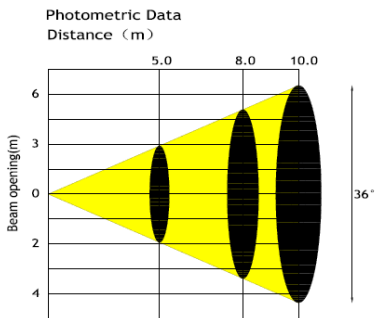
19° 3000K  
Diameter(M) Ø1.68 Ø2.68 Ø3.34  
Lux intensity 4157 1624 1039

19° 5600K  
Diameter(M) Ø1.68 Ø2.68 Ø3.34  
Lux intensity 4820 1883 1205



26° 3000K  
Diameter(M) Ø2.31 Ø3.69 Ø4.62  
Lux intensity 3848 1503 962

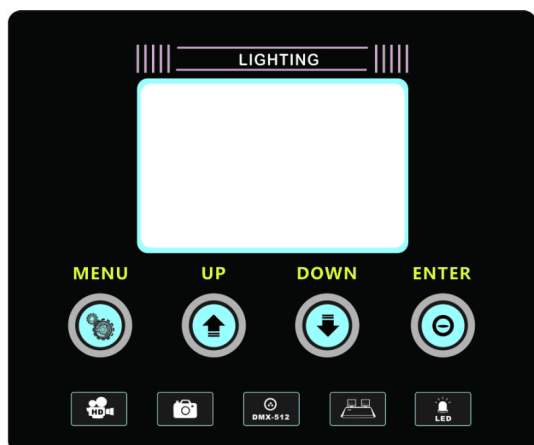
26° 5600K  
Diameter(M) Ø2.31 Ø3.69 Ø4.62  
Lux intensity 4474 1748 1119



36° 3000K  
Diameter(M) Ø3.25 Ø5.2 Ø6.5  
Lux intensity 2748 1073 687

36° 5600K  
Diameter(M) Ø3.25 Ø5.2 Ø6.5  
Lux intensity 3195 1248 799

## CONTROL BOARD OPERATION



Press the Menu until one of the following had been displayed:

Display	Function
1.DMX Address	To set DMX address
2.DMX Channel	To set DMX channel modes: CH 01, CH 02, CH 03
3.Dimmer Curve	To set dimmer speeds: 01, 02, 03, 04
4.Manual Control	To set intensity of Dimmer, Dimmer Fine and Strobe
5.Reset	To recover to manufactory default

Use "Up" and "Down" button to select your desired operation, press "Enter" to set all function

### Set DMX address

After selecting the "DMX Address" and press "Enter", then use "Up" and "Down" to set the desired DMX address, press "Enter" again to confirm.

### Set DMX modes

After selecting the "DMX Channel" and press "Enter", then use "Up" and "Down" to set the desired DMX mode, press "Enter" again to confirm.

### Set Dimmer curve

After selecting the "Dimmer Curve" and press "Enter", then use "Up" and "Down" to set the desired dimmer curve, press "Enter" again to confirm.

### Set Manual Control

Set up intensity of Dimmer, Dimmer Fine and Strobe rate through the control panel. Use "Enter" to save your set for each step. Use "Up" and "Down" to set strobe speed from Sp 000 to Sp 100, ("0" is freeze, "001 – 100" is slow to fast), then press "Enter" to confirm.

### Factory Reset

To recover factory default, select the "Reset" and press "Enter", press "Enter" again to confirm to recover factory default

## DMX VALUES

### 1 channel mode

Channel	Value	Function
1	000-255	Dimmer Course

### 2 channels mode

Channel	Value	Function
1	000-255	Dimmer Course
2	000-255	Dimmer Fine

### 3 channels mode

Channel	Value	Function
1	000-255	Dimmer Course
2	000-255	Dimmer Fine
3	000-255	Strobe

## TECHNICAL SPECIFICATIONS

Model	PS200LECW	PS200LEWW
<b>Dimensions and Weight</b>		
Overall size LxWxH (mm)	538 X 270 X 395	
Weight (kg)	8.6	
<b>Power</b>		
Power Supply	100~240V AC, 50/60 Hz	
Power Consumption (w)	200	
Fuse	T 2 A, 250 V	
<b>Details</b>		
LED	200W COB	
LED lifespan	50 000hrs	
Colour Temperature	5600K	3000K
Operation Modes	DMX, static control	
Beam Angle	19 / 26 / 36 (dependent on lens option used)	
Dimming	16 bit – 0-100%	
Strobe rate	1-25 Hz	
Refresh Rate	8000Hz	
DMX Channel mode	1 / 2 / 3	
Power Input / Output	Neutrik® Powercon	
Power Output	Neutrik® Powercon	
DMX connector	3 pin male XLR and 3 pin female XLR	
Construction	Matte Black finish aluminium and ABS	

## WARRANTY

Please refer to your local dealer or please contact Event Lighting Pty Ltd

Website: [www.event-lighting.com.au](http://www.event-lighting.com.au).