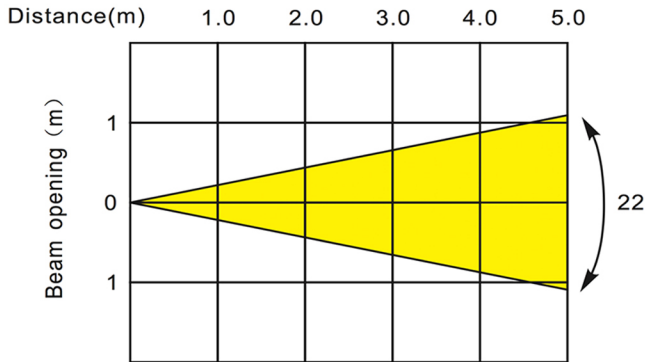


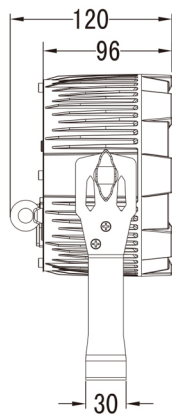
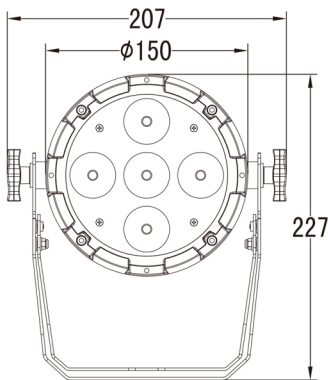


The 5X8W Quad-colour LED PAR is fanless and has a lifespan of 50,000 hours with multiple control options. Features include: 5 dimmer curves, multiple DMX personalities, flicker-free operation, 3-pin DMX (upgradeable to 5), LCD panel menu, static colour settings, standalone macros and master/slave modes. Upgrading firmware via DMX is available and new features such as multiple can chases and a 2-channel dimmer/colour temperature. Ideally, this PAR can be floor mounted, mounted on a truss or used as a truss warmer due to its smaller composition. Multiple PARs can be linked together vertically or horizontally to create rolling chase sequences and special effects.

PARRGBW5x8 Tech Specs



Diameter(m)		Φ0.52	Φ0.93	Φ1.33	Φ1.74	Φ2.14
Intensity LUX	R	1784	457	210	118	78
	G	1743	467	213	121	81
	B	2327	588	273	149	98
	W	2648	786	357	201	135
	Full	7190	1910	883	489	338



POWER 100V~240V AC, 50/60Hz
 Input Voltage 40W
 Power Consumption IEC - In
 Connection

PHOTOMETRICS 5pcs 8W RGBW LEDs
 Light Source 22°
 Beam Angle 1910 lux @ 2.0M RGBW
 Output 2940 Hz
 PWM 50,000 hours
 LED Lifespan

EFFECTS 1 8-bit dimmer curve
 Dimming 4 16-bit dimmer curve
 0 - 100%
 1 - 30 Hz

Strobe

CONTROL
 Protocol DMX512
 DMX Channels 2 / 3 / 4 / 6 / 10
 Interface 3-pin XLR
 Built-in Programming Yes
 Sound Active Yes
 Display 4-button LCD control panel
 Cooling Fanless

HOUSING
 Materials Die Cast Aluminium
 Finishing Matte Black
 Net Weight 1.9 Kg
 Overall Size 207mm x 227mm x 120mm

MISC
 Lens Kit 55° Optional
 Road Case Optional