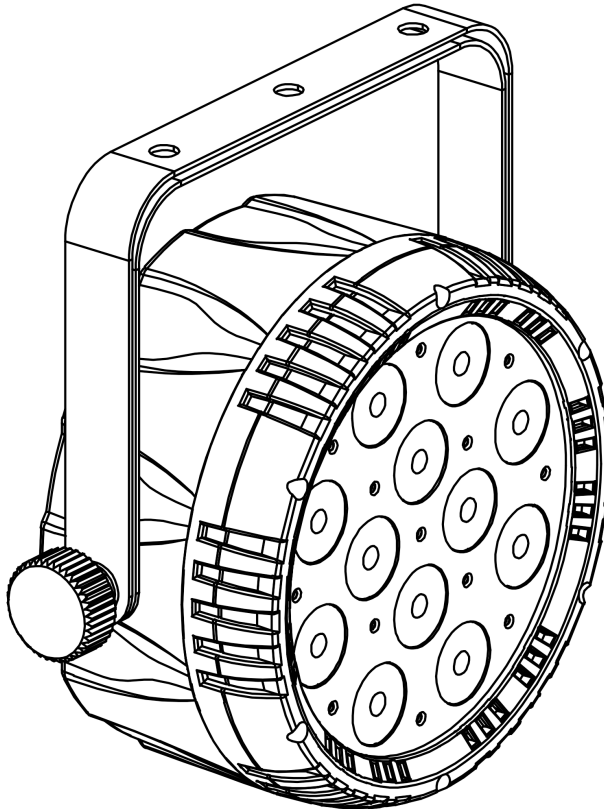




PRO PAR

Model No. PARP12x8

USER MANUAL



For safety, please read this user manual carefully before initial use.

Event Lighting reserves the right to revise the manual at any time. Information and specifications within this manual are subject to change without notice. Event Lighting assumes no liability or responsibility for any errors or omissions. Please consult Event Lighting for any clarification or information regarding this item.

www.event-lighting.com.au

CONTENTS

Safety Instructions

- Power input & power Linking

Product Installation

- Fuse replacement

Diagrams

- Dimensions

Control Board Operation

- Menu map
- Static colour mode chart

DMX chart

Technical specifications

Warranty

Safety Instructions

WARNING

- Do not open this device, there is no user-serviceable parts inside. Risk of electric shock.
- Do not look at the light source when the device is on.
- **CAUTION:** This unit's housing may be hot during and after operation.
- Install this device in a location with adequate ventilation, at least 20 inch (50 cm) from adjacent surfaces.
- Do not leave any flammable material within 50 cm of this unit while operating or connected to power.
- Use a safety chain when mounting this device overhead.
- Do not operate this device outdoors or in any location where dust, excessive heat, water, or humidity may affect it.
- Do not operate this device if the housing, lenses, or cables appear damaged.
- Do not connect this device to a dimmer or rheostat.
- ONLY connect this device to a grounded and protected circuit.
- ONLY use the hanging bracket to carry this device.
- In case of a serious operating problem, stop using immediately.
- The maximum ambient temperature is 104° F (40° C). Do not operate this device at higher temperatures.

Product Installation

This device can be mounted in many orientations provided each individual device is secured by the use of correct mounting bracket.

Use a safety chain when mounting this device overhead.

Fuse Replacement

If the fine-wire fuse of the device fuses, only replace the fuse by a fuse of same type and rating.

Before replacing the fuse, unplug mains lead.

Procedure:

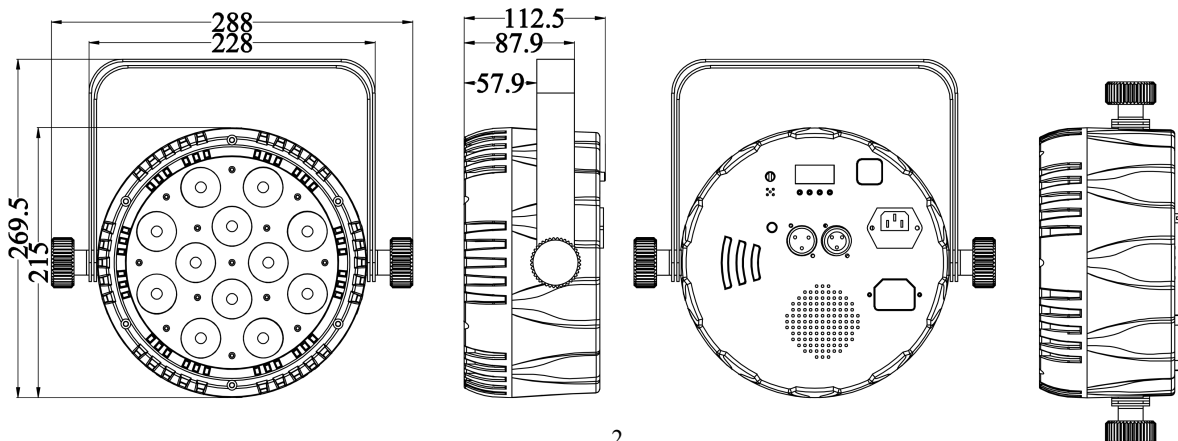
Step 1: Unscrew the fuse holder on the rear panel with a fitting screwdriver from the housing (anticlockwise).

Step 2: Remove the old fuse from the fuse holder.

Step 3: Install the new fuse in the fuse holder.

Step 4: Replace the fuse holder in the housing and fix it.

Dimensions



CONTROL BOARD OPERATION

Menu Map

Addr	->	d 1	-	d5 12	Select DMX address
CHNL	->	CH-1	or	CH-2	Select DMX channel mode (CH-1: 4ch / CH-2: 9ch)
SP--	->	SP 0	-	SP99	Set program speed
Pr--	->	Pr 1	-	Pr 13	Select built-in program
SOUN	->	Sou	Select sound active mode		
CoLo	->	C 1	-	C 15	Select static colour mode (See static colour mode chart below)
Strb	->	S. 00	-	S. 20	Set strobe speed (Hz)
rL--	->	r 0	-	r255	Set red colour intensity
gL--	->	G 0	-	G255	Set green colour intensity
bL--	->	b 0	-	b255	Set blue colour intensity
WL--	->	W 0	-	W255	Set white colour intensity
nodE	->	nod0	-	nod4	Set dimmer speed (nod0: fastest / nod4: slowest)
LED	->	oFF	or	oN	Toggle LED display on / off
TEMP	->	48	Current operating temperature		
VERn	->	V33	Show current software version		
rSET	->	no	or	YES	Restore settings to factory default

Static colour mode

Value:	Function:
C1	Red
C2	Green
C3	Blue
C4	White
C5	Red + White
C6	Green + White
C7	Blue + White
C8	Green + Blue
C9	Red + Blue
C10	Red + Green
C11	Red + Green + Blue
C12	Green + Blue + White
C13	Red + Blue + White
C14	Red + Green + White
C15	Red + Green + Blue + White

DMX Chart

4 channels Mode

Channel	Value	Function
1	000-255	Red: 0% ~ 100%
2	000-255	Green: 0% ~ 100%
3	000-255	Blue: 0% ~ 100%
4	000-255	White: 0% ~ 100%

9 channels Mode

Channel	Value	Function	Note
1	000-255	Master DIMMER 0% ~ 100%	
2	000-255	Red: 0% ~ 100%	
3	000-255	Green: 0% ~ 100%	
4	000-255	Blue: 0% ~ 100%	
5	000-255	White: 0% ~ 100%	
6	000-012	Strobe OFF	
	013-255	Strobe (slow-fast)	
7	000-009	No Function	
	010-019	Program 1	
	020-029	Program 2	
	030-039	Program 3	
	040-049	Program 4	
	050-059	Program 5	
	060-069	Program 6	
	070-079	Program 7	
	080-089	Program 8	
	090-099	Program 9	
	100-109	Program 10	
	110-119	Program 11	
	120-129	Program 12	
130-139	Program 13		
140-255	Sound active mode		
8	000-255	Speed of auto programs (slow ~ fast)	Ch7 must be set between 10-139
9	000-255	Colour fade time (jump ~ fade)	Mode must be set to "nod0"

TECHNICAL SPECIFICATIONS

Power

Input Voltage: 100~240V AC, 50/60 Hz

Power Consumption: 77W

Connection: IEC in

Fuse: T2A, 250V

Photometric

Light Source: 12pcs 4-in-1 RGBW 8W LED

Beam Angle: 25°

PWM: 1200 Hz

LED Lifespan: 50,000 hours

Effects:

Dimming: 0~100%

Strobe: 0~20 Hz

Control

Protocol: DMX512

DMX Channels: 4 / 9

Interface: 3-pin XLR in & out

Built-in Programming: Yes

Display: 4-button & 4-digit LED display control panel

Cooling: Fan

Housing

Materials: Metal & Flame retardant ABS

Finishing: Matte black

IP rating: IP20

Net Weight: 2.3 kg

Overall Size: 288 x 270 x 113 mm

WARRANTY

Please refer to your local dealer or please contact Event Lighting Pty Ltd

Website: www.event-lighting.com.au.