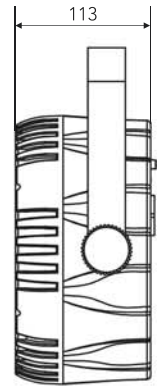
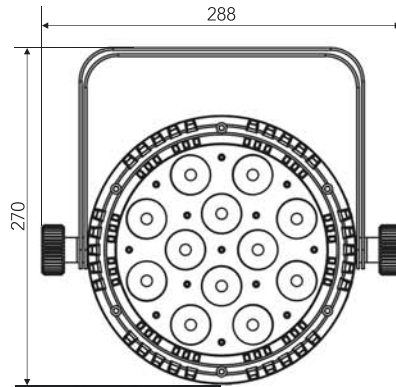




PARP12X8

12X 8W RGBW PAR



MODEL PARP12X8

Description 12 x 8W RGBW PAR
Series PAR Can

POWER

Power Consumption 77W
Line Voltage 100-240V AC
Frequency 50Hz to 60Hz
Power Connection IEC In

PHOTOMETRICS

Light Source 12 x 8W RGBW LEDs
Beam Angle 25°
Output (@2M) 5,400 lux
PWM 1,200 Hz
LED Lifespan 50,000 hours

EFFECTS

Dimming 0 - 100%
Strobe 0 Hz - 20 Hz

CONTROL

Operational Modes Static, Color Fade, Auto Program, Sound Active, Master / Slave & DMX Modes
Display 4-Button LED Control Panel
DMX Protocol DMX512
DMX Channel Mode 4 / 9
DMX Interface 3-Pin XLR

HOUSING

Housing Materials Metal & Flame Retardant ABS
Housing Finish Matte Black
Cooling Fan
Dimension (mm) 288 X 270 X 113
Net Weight 2.3 kg

