

# EVENT LIGHTING

## NITROBALL

5 pcs 8W 4-in-1 RGBW LEDs Spherical DJ Light with DMX

### USER MANUAL



**For safety, please read this user manual carefully before initial use.**

Event Lighting reserves the right to revise the manual at any time. Information and specifications within this manual are subject to change without notice. Event Lighting assumes no liability or responsibility for any errors or omissions. Please consult Event Lighting for any clarification or information regarding this item.

[www.event-lighting.com.au](http://www.event-lighting.com.au)

Ver 1.0

## CONTENTS

Introduction, safety instructions, product Installation	Page 2
Dimensions, control board operation	Page 3
Menu Map	Page 4
DMX chart	Page 5
Technical specifications, warranty	Page 6

## Introduction

The **NITROBALL** is like a modern day mirror ball that recreates the iconic effect with smart new features like colour changing, strobing and adjustable rotation speed. This makes for a stunning tabletop effect or you can hang from truss or a lighting stand to create a swirling mass of multi-coloured, razor sharp beams. Fantastic for theming, house parties or use as a centerpiece. There's a swag of control options including sound active, master/slave and DMX, or operate via the LCD control panel. With 5 x 8Watt super bright LEDs, beams will hit every corner of a venue and when used in multiples creates a magical, enchanting effect. Mounted on a sturdy base with carry handles and dedicated hanging points, the **NITROBALL** will bring any gathering to life with its elegant, colourful display.

## Safety Instructions

### WARNING

- Do not open this device, there is no user-serviceable parts inside. Risk of electric shock.
- Do not look at the light source when the device is on.
- **CAUTION:** This unit's housing may be hot during and after operation.
- Install this device in a location with adequate ventilation, at least 20 inch (50 cm) from adjacent surfaces.
- Do not leave any flammable material within 50 cm of this unit while operating or connected to power.
- Use a safety chain when mounting this device overhead.
- Do not operate this device outdoors or in any location where dust, excessive heat, water, or humidity may affect it.
- Do not operate this device if the housing, lenses, or cables appear damaged.
- Do not connect this device to a dimmer or rheostat.
- **ONLY** connect this device to a grounded and protected circuit.
- **ONLY** use the hanging bracket to carry this device.
- In case of a serious operating problem, stop using immediately.
- The maximum ambient temperature is 104° F (40° C). Do not operate this device at higher temperatures.

### Power Input & Power Linking

This device has an auto-switching power supply work with input voltage range of 100~240 VAC, 50/60 Hz. Link up to the maximum 8A. DO NOT exceed this number.

## Product Installation

This device can be mounted in many orientations provided each individual device is secured by the use of correct mounting bracket.

Use a safety chain when mounting this device overhead.

### Fuse Replacement

If the fine-wire fuse of the device fuses, only replace the fuse by a fuse of same type and rating.

Before replacing the fuse, unplug mains lead.

#### Procedure:

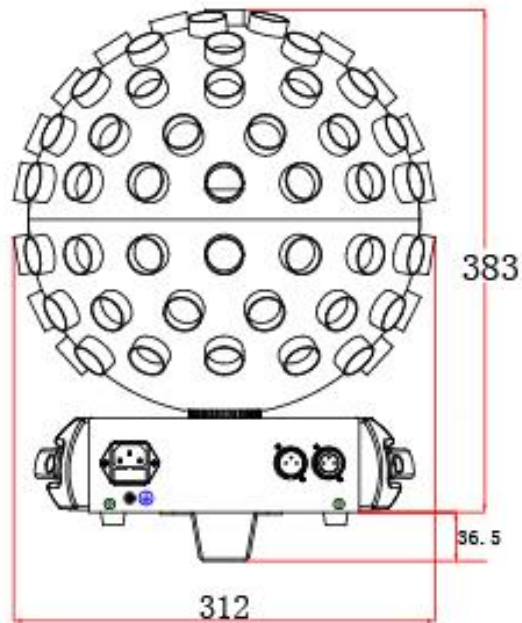
Step 1: Unscrew the fuse holder on the rear panel with a fitting screwdriver from the housing (anticlockwise).

Step 2: Remove the old fuse from the fuse holder.

Step 3: Install the new fuse in the fuse holder.

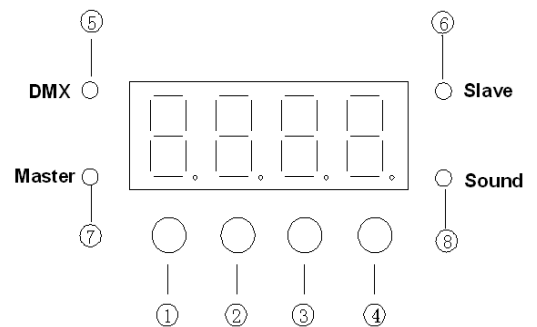
Step 4: Replace the fuse holder in the housing and fix it.

## Dimensions



## Control Panel

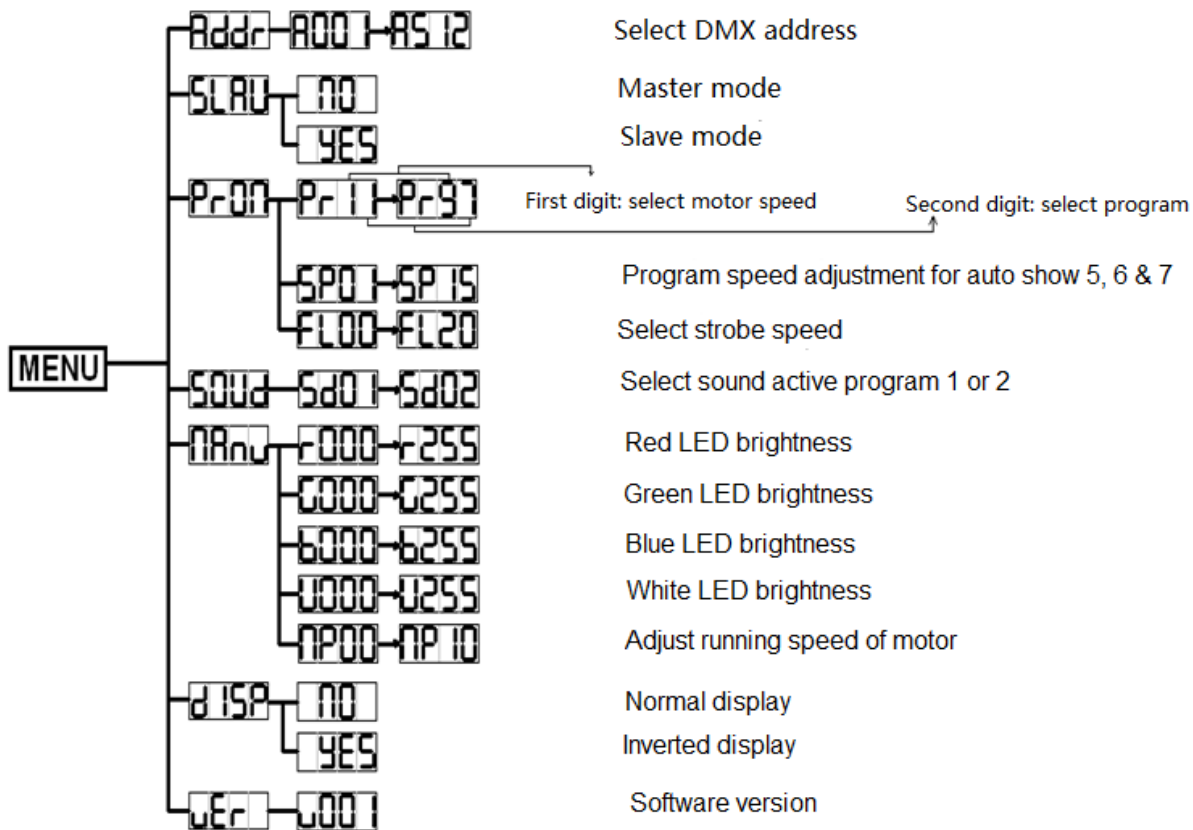
1. MENU button: select an operation mode or return to previous screen
2. UP button
3. DOWN button
4. ENTER button: change or activate menu options
5. DMX signal LED indicator (flash/off)
6. Slave mode LED indicator (flash/off)
7. Master mode LED indicator (on/off)
8. Sound active mode LED indicator (flash/off)



- The LED display will switch off after ten seconds. Press any button to turn the display on.
- This fixture will automatically save the selected setting after a few seconds.
- When the Orbit is connected via DMX or SLAVE signal, it automatically activates DMX or SLAVE mode. If you disconnect the DMX or SLAVE signal, it will return to the previous setting.

## Menu Map

Press the MENU button to select an operation mode or return to previous menu. Use UP and DOWN button to navigate the menu. Press the ENTER button to change or activate menu options.



## DMX Chart

Channel	Value	Ch 1 ( 059 – 255 ) Function	Ch 1 (000 – 058 ) Function
<b>Ch 1</b>	000 - 058		Switch on colour dimmer DMX mode
	059 - 078	Auto show 1	
	079 - 098	Auto show 2	
	099 - 118	Auto show 3	
	119 - 138	Auto show 4	
	139 - 158	Auto show 5	
	159 - 178	Auto show 6	
	179 - 198	Auto show 7	
	199 - 227	Sound active show 1	
	228 - 255	Sound active show 2	
<b>Ch 2</b>	000 - 255	program speed adjustment for auto show 5, 6 & 7	Master dimmer
<b>Ch 3</b>	000 - 255	strobe speed adjustment	strobe speed adjustment
<b>Ch 4</b>	000 - 255	motor speed adjustment	Red 0% ~ 100%
<b>Ch 5</b>	000 - 255		Green 0% ~ 100%
<b>Ch 6</b>	000 - 255		Blue 0% ~ 100%
<b>Ch 7</b>	000 - 255		White 0% ~ 100%
<b>Ch 8</b>	000 - 009		The motor stops
	010 - 128		Counter clockwise rotation speed adjustment ( slow to fast)
	129 - 137		The motor stops
	138 - 225		Clockwise rotation speed adjustment (slow to fast)

## TECHNICAL SPECIFICATIONS

- Power supply: 100~240 V AC, 50/60 Hz
- Power consumption: 72W
- Light Source: 5pc 8W 4-in-1 RGBW LED
- Power Connection: IEC power input
- LED Life: 50,000 hours
- Coverage Angle: 360 degree
- Control: DMX512 3-pin XLR interfaces, 8 channel DMX mode
- 4-button LED display control panel
- Power linking: 15 units at 240V AC
- Smart cooling system without fan
- Operation modes: 8 Ch DMX, 7 sets of auto show, 2 sets of sound active show, master/slave mode, manual control mode
- Fuse: F2A M205
- Net weight: 3.6kg
- Overall size: 312 x 312 x 383 mm

## WARRANTY

Please refer to your local dealer or please contact Event Lighting Pty Ltd

Website: [www.event-lighting.com.au](http://www.event-lighting.com.au).