



Z-1200II / Z-1500II / Z-3000II Fog Machine User Manual



CONFORMS TO
ANSI/UL STD.99E
CERTIFIED TO
CAN/CSA STD.
C22.2 No.104



English • Français • Deutsch • 中文

© 2018 Antari Lighting and Effects Ltd.



User Manual

Antari Z-1200II, Z-1500II and Z-3000II Fog Machine

***Congratulations on the purchase of your new
ANTARI Z-Series II FOG MACHINE.***

Introduction

Thank you for choosing an ANTARI Z-Series II Fog Machine. You now own a rugged and powerful state-of-the-art machine. Prior to use, we suggest that you carefully read all of the instructions. By following the suggestions found in this user manual, you can look forward to the reliable and satisfactory performance of your ANTARI Fog Machine for years to come.

Please follow these operation, safety, and maintenance instructions to ensure a long and safe life for your fog machine.

CAUTION:

Risk of electric shock. Disconnect the appliance from the electric supply before refilling liquid, cleaning or performing maintenance on the machine.

Danger of Electric Shock

- Keep this device dry.
- For inside use only. Not designed for outside use.
- For the 110V models, use a 3-prong grounded electrical outlet only. Prior to use make sure to determine that the unit is installed at the rated voltage.
- Always unplug your ANTARI Z-Series II Fog Machine before filling its tank.
- Always keep fog machine in upright position.
- Turn off or unplug the machine when not in use.
- This machine is not water-proof. If moisture, water, or fog fluid gets inside the housing, immediately unplug the unit and wipe it with a clean dry cloth.
- No user serviceable parts inside. Refer to your ANTARI dealer or other qualified service personnel.

Danger of Burns

- This device is for adult use only and must be installed out of the reach of children. Never leave the unit running unattended.
- Never aim the output nozzle directly at people.
- Fog machine output is very hot. Avoid coming within 60 cm of the output nozzle during operation.
- Operate the fog machine in a well-ventilated area. Never cover the unit's vents. In order to guarantee adequate ventilation, allow a free air space of at least 20 cm around the sides and top of the unit.
- Never aim the output nozzle at open flames.
- If the supply cord is damaged, it must be replaced by the manufacturer or its service agent or similarly qualified personnel in order to avoid a hazard.
- The output nozzle becomes very hot during operation (200°C). Keep flammable materials at least 50 cm away from the nozzle.
- Always allow your ANTARI Fog Machine to cool down before attempting to clean or service it.

Danger of Explosion

- Never add flammable liquids of any kind (such as oil, gas, perfume) to the fog liquid.
- Use only high-quality, water-based fog liquid that your dealer recommends. Other fog liquids may cause clogging or “spitting”.
- Always make sure there is sufficient liquid in the tank. Operating this unit without liquid will cause damage to the pump as well as over-heating of the heater.
- Always drain the tank before mailing or transporting this unit.
- Never drink fog liquid. If it is ingested, call a doctor immediately. If fog liquid comes in contact with skin or eyes, rinse thoroughly with water.

Note: Pay attention to all warning labels and instructions printed on the exterior of your ANTARI Fog Machine

Unpacking & Inspection

Open the shipping carton and verify that all equipment necessary to operate the system has arrived intact. The shipping carton should contain the following items:

1. One unit of Z-Series II Fog Machine with power cord
2. Mounting brackets with washers/screws (for Z-1200II)
3. Z-8 Multi-function remote control with attached cord (for Z-1200II)
4. Z-20 multi-function remote control with attached cord (for Z-1500II & Z-3000II)
5. User Manual

If any equipment is missing contact your ANTARI dealer immediately.

Before beginning your initial setup on ANTARI Z-1200II, Z-1500II or Z-3000II Fog Machine, make sure that there is no evident damage caused by transportation. In the event that the unit's housing or cable is damaged, do not plug it in and do not attempt to use it until after contacting your ANTARI dealer for assistance.

Setup

- Remove all packing materials from the shipping box. Check that all foam and plastic padding is removed, especially in the nozzle area.
- Place the fog machine on a flat surface and remove fog liquid tank cap.
- Fill with high-quality, water-based fog liquid recommended by an ANTARI dealer. Any other types of fluid can damage the unit resulting in spitting and serious clogging problem. When filled, place the cap back on the liquid tank.
- Be careful not to exceed the maximum fluid level. DO NOT OVERFILL.
- Firmly attach the Z-8 or Z-20 control module cable to the connector inside the rear chamber of the machine.

Z-1200II Operation

- Add fluid carefully to the liquid tank. Do not overfill the tank.
- Plug the remote control cord into the slot marked remote control on the back of the machine.
- Plug the power cord into a grounded electrical outlet. Turn the power switch to “ON” on the back of the machine.

The red light on the remote will turn ON once the machine is plugged into a power outlet and the ON/OFF switch is turned ON. The unit will take a couple of minutes to warm up the heater. During this time the machine cannot generate fog. The green light on the remote will turn ON once the machine is ready to produce fog.

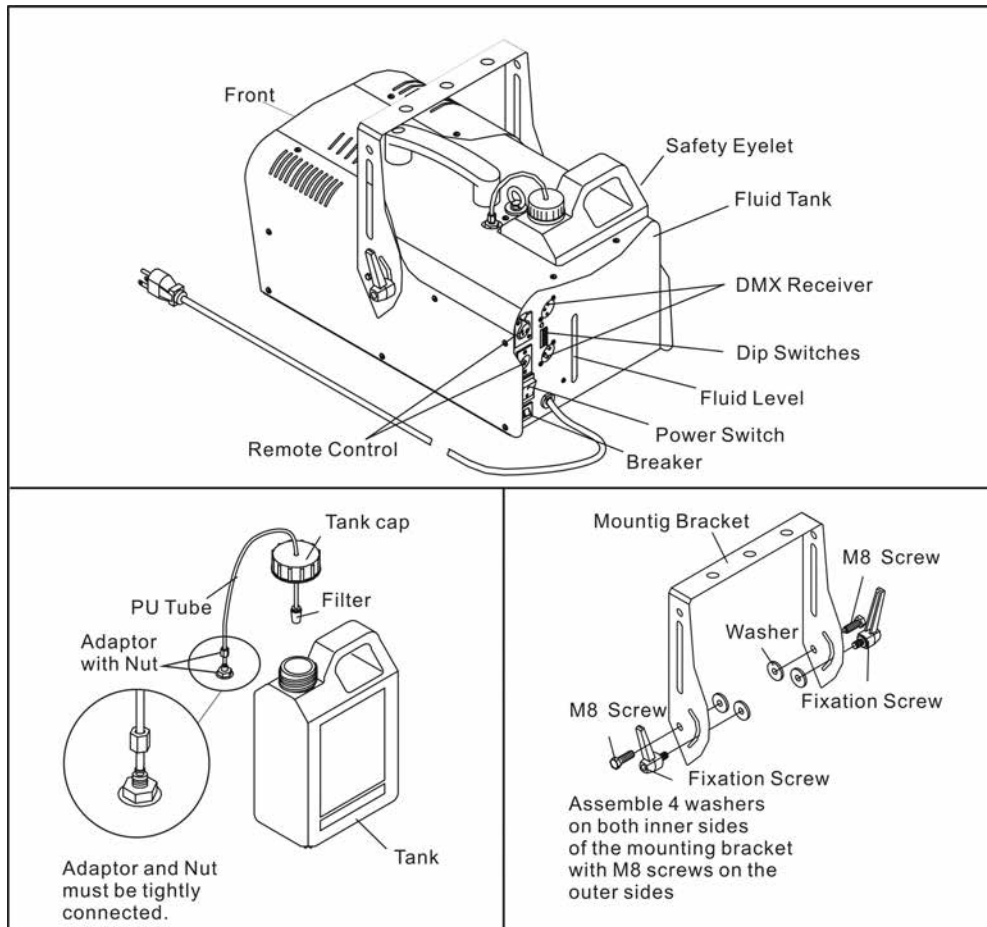
- To emit fog press the green button on the remote. Z-1200II is controlled via the Z-8 remote control.
- For detailed instruction on the various functions on operating your Z-1200II Fog Machine, see the section titled “Remote Control Operation”.

Important: Always monitor tank fluid level as you are fogging. Running a fog machine with no fluid can permanently damage the unit.

Z-1200II: Your model includes a mounting bracket designed for overhead installation; it may be installed at floor level or suspended overhead. If the unit is to be mounted using the bracket, it is

important that the fog does not shoot directly at any one's face. Whatever installation method you choose, do not allow the unit to have more than a 25 degree angle of inclination.

Z-1200II Description



Note: If you experience low output, pump noise or no output at all, unplug immediately. Check fluid level, the external fuse, remote control connection and power from the wall. If all of the above appears to be O.K., plug the unit in again. If fog does not come out after holding the remote button down for 30 seconds, check the hose attached to the tank to make sure there is fluid going through the hose. If you are unable to determine the cause of the problem, do not simply continue pushing the remote button, as this may damage the unit. Return the machine to your ANTARI dealer.

Z-1200II Technical Specifications

- Input voltage	US model : AC100-120V, 50 / 60Hz 10.5A EU model : AC 220-240V, 50 / 60Hz 5.5A
- Rated power	1200W
- Warm-up time	10 minutes (approx.)
- Fluid consumption	72 ml/min
- Fluid tank capacity	2.5l (0.66gal)
- Compatible fluid	Antari FLG Heavy Fog Fluid Antari FLR Light Fog Fluid
- Ambient temp. range	0 °C - 40 °C (32 °F-104 °F)
- Output	18,000 ft ³ /min (510 m ³ /min)
- Control	DMX512, Manual, Timer Wireless (Optional)
- DMX channels	1 channel
- Connection	XLR 3-pin (DMX)
- Optional accessories	Z-9 Wireless Remote
- Dimension	L458 W243 H251 mm (L18.03 W9.57 H9.88 inch)
- Weight	10.9 kg (24.03 lbs)

Remote Control Operation

- ◆ **Z-8:** 25 feet wired multi-function remote control with a 4-PIN plug for ANTARI Fog Machine model **Z-1200II**.

The **Interval** knob adjusts the time between discharges when the timer function is engaged. The range is from 10 seconds to 250 seconds.

The **Volume** knob controls the volume of the fog produced. The range is from 0% - 100% of maximum output.

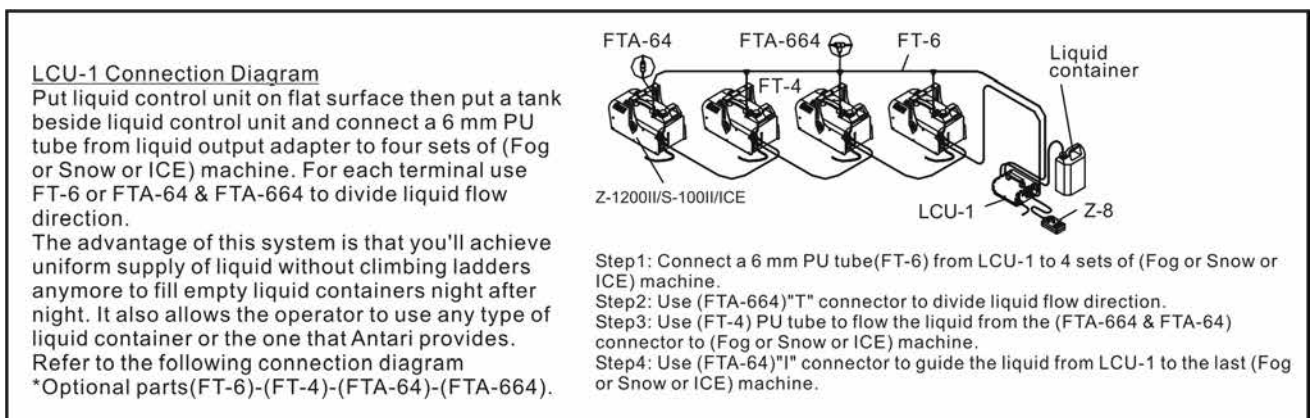
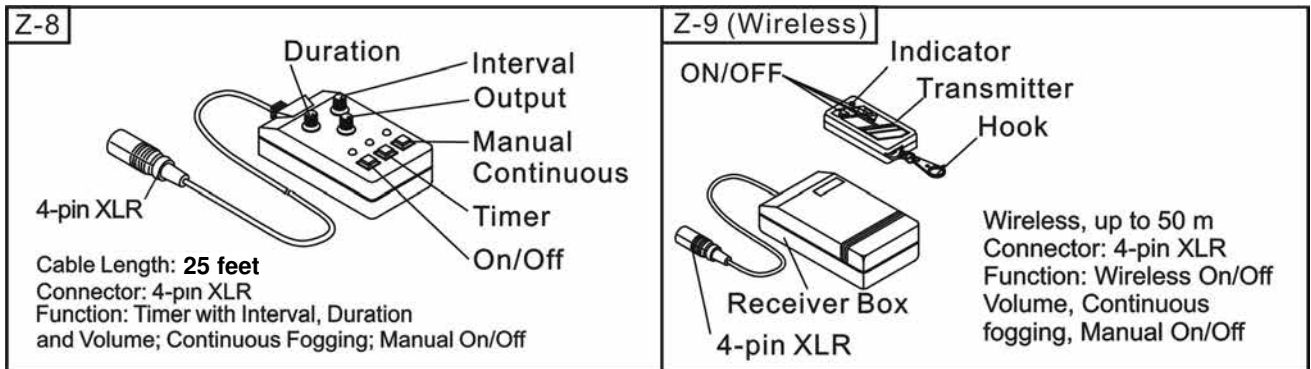
Adjust the **Duration** control knob of each fog emission (within the range of 1 to 15 seconds).

The yellow **TIMER** button controls the timer function. Depress the button to activate. When activated, the yellow light will turn ON. Adjusting the interval knob will determine the time between fog output (10 – 250 seconds). The duration of output is set at 15 seconds. The volume can be adjusted using the volume knob to control the amount of fog produced.

The red **CONTINUOUS** button sets the machine to constant fog production. To activate this function, depress the red button. The volume knob can be used to regulate the volume of the steady stream of fog produced.

The green **MANUAL** button will produce a continuous blast at maximum volume while the button is held down. When released, the manual function stops and the machine will return to the previous setting; timer, continuous, or stationary.

Note: The continuous function will override the Timer function. Therefore, if both buttons have been depressed the Z-1200II will fog continuously. The manual function overrides all functions. When depressed and held down the Z-1200II will fog at maximum volume for as long as the button is held down, regardless of the machine's setting at the time.



Z-1500II & Z-3000II Operation

- Add fluid carefully to the liquid tank. Do not overfill the tank.
- The Plug should be in a position that is accessible when using the machine.
- Plug the power cord into a grounded electrical outlet. Turn the power switch to “ON” on the back of the machine.
Warm-up is completed when the display on the control module shows “Ready to Fog”.
- To emit fog press the appropriate button on the control module for the desired length of time.
- The control units display will display “Warming up” as the machine re-heats to the proper operating temperature.
- For further information on operating your Z-1500II, Z-3000II Fog Machine, see the section titled “Control Module Operation”.

CAUTION: “Visibility during operation is reduced”.

This model can be operated at a floor level or sitting on any regular surface. Whatever installation method you choose, do not allow the unit to have more than a 25 degree angle of inclination.

Important: Always monitor the tank fluid level as you are fogging. Running a fog machine with no fluid can permanently damage the unit.

Note: If you experience low output, pump noise or no output at all, unplug immediately. Check fluid level, the external fuse, remote control connection and power from the wall. If all of the above appears to be O.K., plug the unit in again. If fog does not come out after holding the remote button down for 30 seconds, check the hose attached to the tank to make sure there is fluid going through the hose. If you are unable to determine the cause of the problem, do not simply continue pushing the remote button, as this may damage the unit. Return the machine to your ANTARI dealer.

Z-1500II & Z-3000II Technical Specifications

	Z-1500II	Z-3000II
- Input voltage	US model : AC100-120V, 50/60Hz 12.5A EU model : AC 220-240V, 50/60Hz 6.3A	EU model : AC 220-240V, 50/60Hz 11A
- Rated power	1450W	2500W
- Warm-up time	10 minutes (approx.)	12 minutes (approx.)
- Fluid consumption	110 ml/min	200 ml/min
- Fluid tank capacity	6l (1.59gal)	6l (1.59gal)
- Compatible fluid	Antari FLG Heavy Fog Fluid Antari FLR Light Fog Fluid	Antari FLG Heavy Fog Fluid Antari FLR Light Fog Fluid
- Ambient temp. range	0°C - 40 °C (32 °F-104 °F)	0°C - 40 °C (32 °F-104 °F)
- Output	20,000 ft ³ /min (566 m ³ /min)	40,000 ft ³ /min (1133 m ³ /min)
- Control	DMX512, Manual, Timer Wireless (Optional)	DMX512, Manual, Timer Wireless (Optional)
- DMX channels	1 channel	1 channel
- Connection	XLR 3-pin and 5-pin (DMX)	XLR 3-pin and 5-pin (DMX)
- Optional accessories	Z-30 Pro Wireless Remote	Z-30 Pro Wireless Remote
- Dimension	L688 W285 H257 mm (L27.09 W11.22 H10.12 inch)	L735 W310 H269 mm (L28.94 W12.20 H10.59 inch)
- Weight	14 kg (30.86 lbs)	19.9 kg (43.87 lbs)

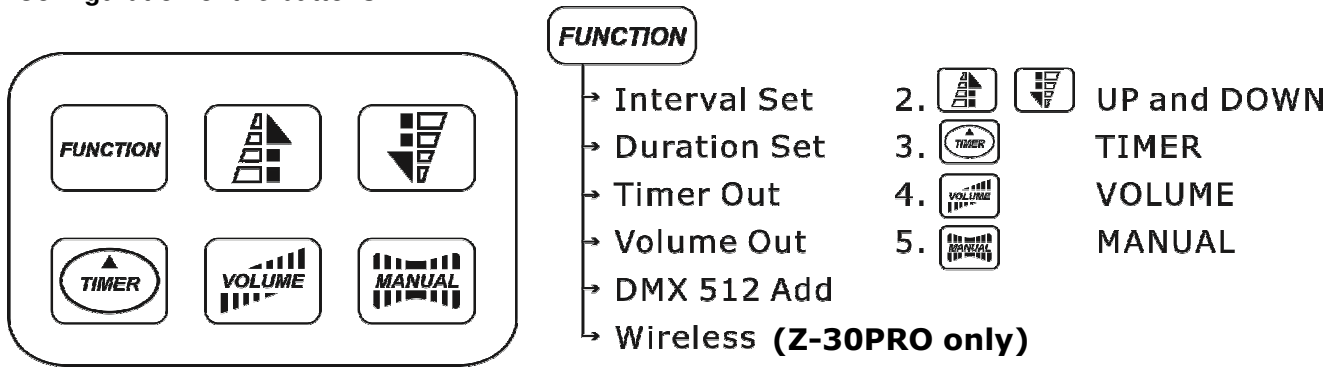
Z-20 Control Module Operation:

A 2 meter wired multi-function remote control with a 5-pin XLR connector for ANTARI Fog Machine models Z-1500II and Z-3000II. Its interface allows the operator to customize fog machine functions by adjusting fogging duration, interval and volume. Its LCD displays current operating parameters, which are automatically stored in non-volatile memory, allowing the machine to be powered down without losing function settings. Instructions below:

After switching on, the display shortly indicates »Antari Z-20«. Then the fog machine starts with the warm-up process and the display indicates »Warming Up«. While the unit is warming up, fog output will not be possible

yet. Program the necessary menu settings with the control panel. Once the warm-up process is completed, fog output will be possible. The display indicates »Ready to Fog«.

-Configuration of the buttons



-Menu settings with the button FUNCTION

Setting time intervals for timer operation

Press the button FUNCTION until the display indicates »Interval Set«. Use the buttons UP and DOWN to adjust the intervals between the individual fog outputs in timer mode within the range of 1 and 200 seconds.

Setting the output duration for timer operation

Press the button FUNCTION until the display indicates »Duration Set«. Use the buttons UP and DOWN to adjust the duration of the fog outputs in timer mode within the range of 1 and 200 seconds.

Setting the fog output volume for timer operation

Press the button FUNCTION until the display indicates »Timer Out«. Use the buttons UP and DOWN to adjust the fog output volume in timer mode within the range of 1 % and 100 %.

Setting the fog output volume for continuous operation

1. Press the button FUNCTION until the display indicates »Volume Out«. Use the buttons UP and DOWN to adjust the fog output volume in continuous mode within the range of 1 % and 100 %.
2. To set the unit to continuous fog output in continuous mode, select »NON STOP BURST« below a value of 1 % or above a value of 100 %.

NOTE: When setting a fog output volume higher than 30 % for continuous operation, the fog machine occasionally needs to stop the fog output to reheat.

When »NON STOP BURST« is selected, the fog machine adjusts the fog output volume and heater temperature automatically and does not need to stop the fog output to reheat.

Setting the DMX512 address

Press the FUNCTION until the display indicates »DMX 512 Add.«. Use the buttons UP and DOWN, to set the machine to the same address as on your DMX controller. Please refer to chapter DMX512 settings for more information on DMX operation.

-Continuous operation

Press the button VOLUME, to activate continuous fog output. The display indicates »Volume« followed by the value that was set in menu item »Volume Out« or »NON STOP BURST« when continuous fog output is selected. To stop the fog output, press the button VOLUME once again.

NOTE: When a fog output volume higher then 30 % was set for continuous operation, the fog machine occasionally needs to stop the fog output to reheat. When »NON STOP BURST« was selected, the fog machine adjusts the fog output volume and heater temperature automatically and does not need to stop to reheat.

-Manual operation

For immediate fog output at the maximum volume of fog, keep the button MANUAL pressed. The display indicates »Manual 100 %«. As soon as you release the button, the fog output will stop. The manual operation

will take priority over the continuous operation and the timer operation. Even if one of these operating modes is activated, the fog machine will always emit the maximum volume of fog when the button MANUAL is pressed.

-Timer operation

In the timer mode, the fog machine will automatically emit fog. The time intervals, duration and fog volume depend on the corresponding menu settings. Press the button TIMER, to activate the timer mode. The display indicates the set time interval. The unit counts down to 0 seconds and emits fog. To deactivate the timer mode, press the button TIMER again.

Z-30PRO Wireless Control Module Operation

The wireless control module Z-30PRO consists of a transmitter equipped with two buttons for fog on and off, and a receiver pre-attached to the panel of each Z-30PRO.

*** Transmitter:**



With the transmitter it is possible to emit fog via radio over a distance of up to 50 meters. The transmitter is compatible to any receiver of the Z-30PRO and can control an unlimited number of machines in parallel.

Press the button "A", to emit fog. The button "A" has the same function as the button VOLUME on the control panel, i.e. the fog output depends on the setting of the menu item »Volume Out«. The display indicates »Volume« followed by the defined value or »NON STOP BURST« when continuous fog output was selected. To stop the fog output, press the button "B".

*** Receiver:**



The receiver is tested and pre-attached to the panel of each Z-30PRO. Please do not try to remove it. The receiver responds to up to 5 different transmitters that are registered with the machine. The included transmitter has been registered to the machine before shipment. It can be directly operated without any start-up setting.

-Registering transmitters

To operate the machine with a different transmitter than the included one, or to operate it with up to 5 different transmitters, each transmitter must be registered first. For this purpose, turn on the machine. When the display indicates »Wireless Setup«, press the button "A" for 1 second on each transmitter. Thus the previous transmitters are cleared from the memory of the receiver. The setting must be completed within 15 seconds after switching on the machine. Then the machine will automatically exit the transmitter setting mode. The display shows »Wireless Setup OK«. At this point, no further transmitter can be added.

If no transmitter is registered when the machine is switched on, the memory of the receiver will keep the record of the previous operation.

Setting Example 1:

In order to register several transmitters with a machine, turn on the machine. When the display indicates »Wireless Setup«, press the button “A” for 1 second on each transmitter within 15 seconds to establish the signal transmission.

Setting Example 2:

In order to use 1 transmitter to control 2 or more machines, turn on the machines respectively. When the displays indicates »Wireless Setup«, press the button “A” for 1 second on the transmitter within 15 seconds to establish the signal transmission.

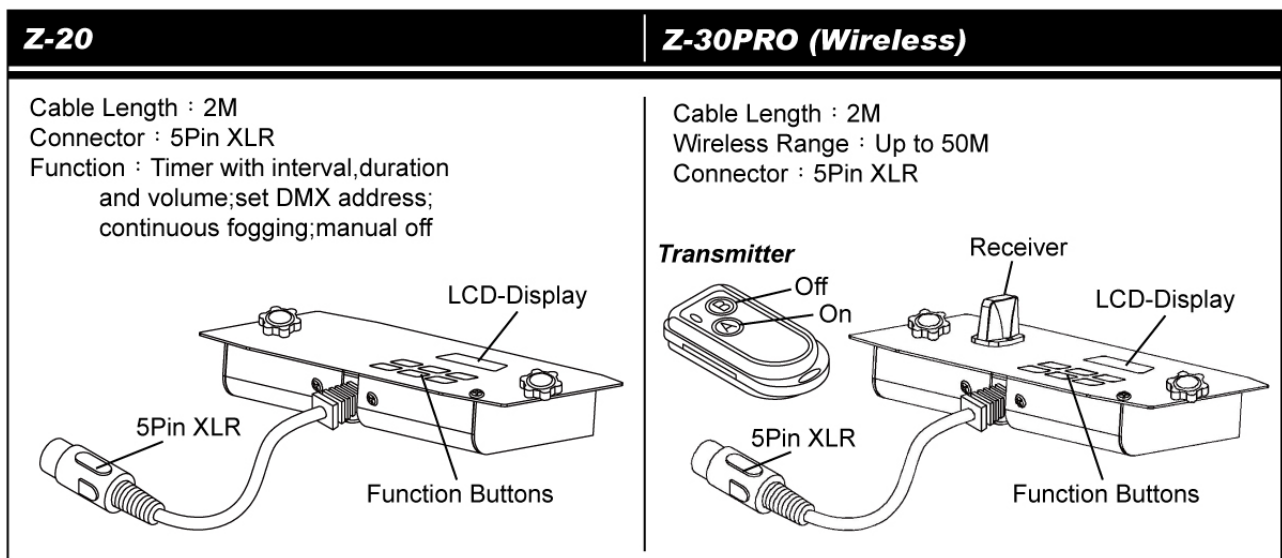
-Battery change on the transmitter

If the range of the transmitter decreases, the battery is probably exhausted and must be replaced. For this purpose, take off the housing cover and remove the used battery. Insert a fresh DC 12V battery as indicated in the battery compartment and refit the housing cover.

Switching the wireless function on and off

Press the button FUNCTION until the display indicates »Wireless On«. Use the buttons UP and DOWN to deactivate the wireless function (indication »Wireless Off«) and to reactivate it (indication »Wireless On«).

- Note: When the warm-up process is completed and wireless function is activated the LCD screen indicates “Ready To Fog W”. (“W” means Wireless) On the contrary, when the wireless function is deactivated the LCD screen will display “Ready To Fog” (Without “W”).



Performance Note

- All fog machines develop condensation around the output nozzle. Because this may result in some moisture accumulation on the surface below the output nozzle, consider this condensation when installing your unit.
- All fog machines may sputter small amounts of fog occasionally during operation and for a minute or so after being turned off.
- All fog machines have a recycling period after long bursts when the machine will shut itself down for a short period in order to heat up again. During this time no fog can be produced.

Cleaning and Storage

Cleaning your fog machine regularly can help you reduce the frequency of parts replacement and the cost of maintenance.

After 2,000 hours of operation, we suggest you use distilled water to clean the heater as following steps:

1. Fill proper distilled water into a clean tank and connect the fluid tube of the fog machine to the tank.
2. Run the fog machine in a well ventilated place until the tank is empty.
3. Use a dry cloth to wipe the fog machine.

If the fog machine is not in use, please clean it before storage. Store the fog machine in a dry and cool place. Run the fog machine at least once a month.

Please read and save these instructions.

DMX Connector Pin Assignment

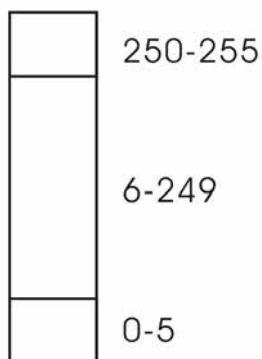
The machine provides a 3 or 5 pin XLR connector for DMX connection. The diagram below indicates pin assignment information.



Pin	Function
1	Ground
2	Data-
3	Data+
4	N/A
5	N/A

Antari Z-1200II, Z-1500II, Z-3000II on-board DMX settings

Channel A



0 - 5 = OFF

6 – 249 = Volume Control (5% - 95%)

250 – 255 = Maximum Volume Output (100%)

The Z-1200 II, Z-1500II & Z-3000II Fog Machines have on-board DMX control. These models use 1 channel to control volume output operation. Each channel has a value range of 0 to 255. Timer functions such as duration and interval can be programmed using the DMX controller or the DMX control software being used by the lighting and effects operator.

If Channel A has a value from 0 to 5, the unit is OFF.

Between the values 6 to 249 the volume of fog output is regulated. With 6 being the minimum volume of fog produced and 249 approaching the maximum. The volume output rises as the DMX value is increased.

If Channel A has a value from 250 TO 255, the machine will operate at maximum output.

Note: In the example above, if the machine were assigned the DMX address of 124, Channel A would correspond to DMX address 124.

In general, Antari fog machines with onboard DMX conform to the following performance specifications:

1. Average Operating temperature = 250°C
2. Fogger can maintain maximum output for 30 seconds or more
3. Fogger can maintain constant output at 25% volume setting (roughly a value of 75).

Addressing (Z-1200II)

Each device occupies 1 channel. To ensure that the control signals are properly directed to each device, they require addressing. This is to be adjusted for every single device by changing the DIP-switches as set out in the table below.

The starting address is defined as the first channel from which the device will respond to the controller.

Please make sure that you do not have any overlapping channels in order to control each device correctly and independently from any other fixture on the DMX data link. If two, three or more devices are addressed similarly, they will work similarly.

Occupation of the DIP-switches:

Setting the DMX-starting address:	DIP-switch no.	1	2	3	4	5	6	7	8	9
Device number & channels	Starting address	1	2	4	8	16	32	64	128	256
Device 1 - channel 1	On	▲								
	Off		▼	▼	▼	▼	▼	▼	▼	▼
Device 2 - channel 2	On		▲							
	Off	▼		▼	▼	▼	▼	▼	▼	▼
Device 3 - channel 3	On	▲	▲							
	Off			▼	▼	▼	▼	▼	▼	▼
Device 4 - channel 4	On			▲						
	Off	▼	▼		▼	▼	▼	▼	▼	▼
Device 5 - channel 5	On	▲		▲						
	Off		▼		▼	▼	▼	▼	▼	▼



Mode d'emploi

Antari Z 1200II, Z-1500II & Z-3000II machine à fumée

Nous vous félicitons pour l'achat de votre nouvelle machine à fumée ANTARI.

Introduction

Nous vous remercions d'avoir choisi une machine à fumée ANTARI Z. Vous êtes en possession d'un produit robuste et puissant. En vue d'utiliser correctement votre nouvel appareil, veuillez lire attentivement ce mode d'emploi. Si vous respectez les instructions suivantes, vous profiterez d'une performance solide et convaincante de votre machine à fumée ANTARI pour de nombreuses années.

Pour assurer la longévité et le bon fonctionnement de votre machine à fumée, veuillez lire attentivement les instructions suivantes concernant le maniement, la sécurité et l'entretien.

ATTENTION:

Risque de choc électrique. Débranchez l'appareil de l'alimentation électrique avant d'effectuer les opérations de remplissage de liquide, de nettoyage ou de maintenance sur la machine.

Risques d'électrocution

- Risque de décharge électrique. Démontez l'approvisionnement électrique de l'appareil avant de retirer la couverture.
- Protéger de l'humidité.
- L'appareil a été conçu pour un emploi dans des locaux clos. Ne pas utiliser à l'extérieur.
- Pour les modèles de 110V, utilisez uniquement des prises de courant à terre à 3 broches. Avant la première mise en marche, assurez vous que l'appareil soit branché à l'alimentation correcte.
- Débranchez l'appareil avant de remplir le réservoir.
- Assurez vous d'installer la machine à fumée toujours droit.
- Eteignez l'appareil ou débranchez-le du secteur, quand il est hors d'usage.
- Si de l'humidité, du liquide ou du liquide à fumée devait pénétrer à l'intérieur de l'appareil, débranchez le immédiatement et essuyez avec un chiffon propre et sec.
- A l'intérieur de l'appareil, il n'y a aucune partie qui ait besoin d'être révisée. Les travaux d'entretien sont à faire effectuer par votre revendeur ANTARI ou par des spécialistes.

Danger d'incendie

- L'usage de cet appareil n'est prévu que pour les adultes. Installez le hors de portée des enfants. Ne jamais faire marcher sans surveillance.
- Ne jamais braquer le bec de l'appareil directement sur des personnes.
- Le débit de la machine à fumée est très chaud. Pendant que la machine est en marche, respectez une distance d'environ 60 cm vis-à-vis son bec.
- Installez l'appareil à un endroit bien aéré. Ne jamais couvrir les orifices d'aération. Pour garantir une aération suffisante, laissez un espace libre de 20 cm tout autour de l'appareil.
- Ne jamais braquer le bec de la machine sur des flammes.
- Le bec de la machine devient très chaud (200° C) pendant son fonctionnement. Respectez une distance minimum de 50 cm entre le bec de la machine et les matériaux inflammables.
- Laissez refroidir la machine à fumée ANTARI avant toute manipulation.

Risques d'explosion

- Ne jamais mélanger des liquides inflammables gazeux ou huileux avec le liquide à fumée.
- Employez uniquement des liquides à fumée de haute qualité à base d'eau recommandée par votre revendeur. D'autres liquides à fumée pourraient causer des problèmes d'encrassement ou des crachotements.
- Faites attention qu'il y ait toujours suffisamment de liquide à fumée dans le réservoir. Un emploi sans liquide pourrait endommager la pompe ou provoquer la surchauffe de l'élément de chauffage.
- Toujours vider le réservoir avant d'envoyer ou transporter l'appareil.
- Ne jamais avaler le liquide à fumée. Si c'était tout de même le cas, consultez un médecin immédiatement. En cas de contact avec la peau ou les yeux, rincer à grande eau.

Remarque: Veuillez suivre toute instruction de sécurité appliquée sur le boîtier de votre machine à fumée ANTARI.

Déballage & inspection

Ouvrez le carton extérieur et assurez-vous que toutes les pièces n'aient subi aucun dommage durant leur transport. Assurez-vous que le carton d'expédition contient les articles suivants:

1. Une unité de machine de brouillard de la Z-Série II et câble secteur
2. Lyre de fixation avec vis et rondelle (Z-1000II)
3. Z-8 télécommande (Z-1200II)
4. Z-20 télécommande (Z-1500II & Z-3000II)
5. Mode d'emploi

Servez-vous de la liste des "Accessoires" ci-jointe pour vérifier si votre modèle vous a été livré avec son équipement complet. En cas de livraison endommagée ou incomplète, toujours contactez immédiatement votre revendeur ANTARI.

Installation

- Enlevez tout matériau d'emballage. Assurez-vous d'avoir enlevé toute la mousse et le rembourrage en plastique, surtout au bec de la machine.
- Placez la machine à fumée sur une surface plane et dévissez le couvercle du réservoir du liquide à fumée.
- Remplissez le réservoir de liquide à fumée ANTARI ou d'un autre liquide à fumée de haute qualité à base d'eau. Refermez le réservoir.
- Connectez le câble de la télécommande à la douille d'entrée correspondante de la machine à fumée qui est située au dos de l'appareil.

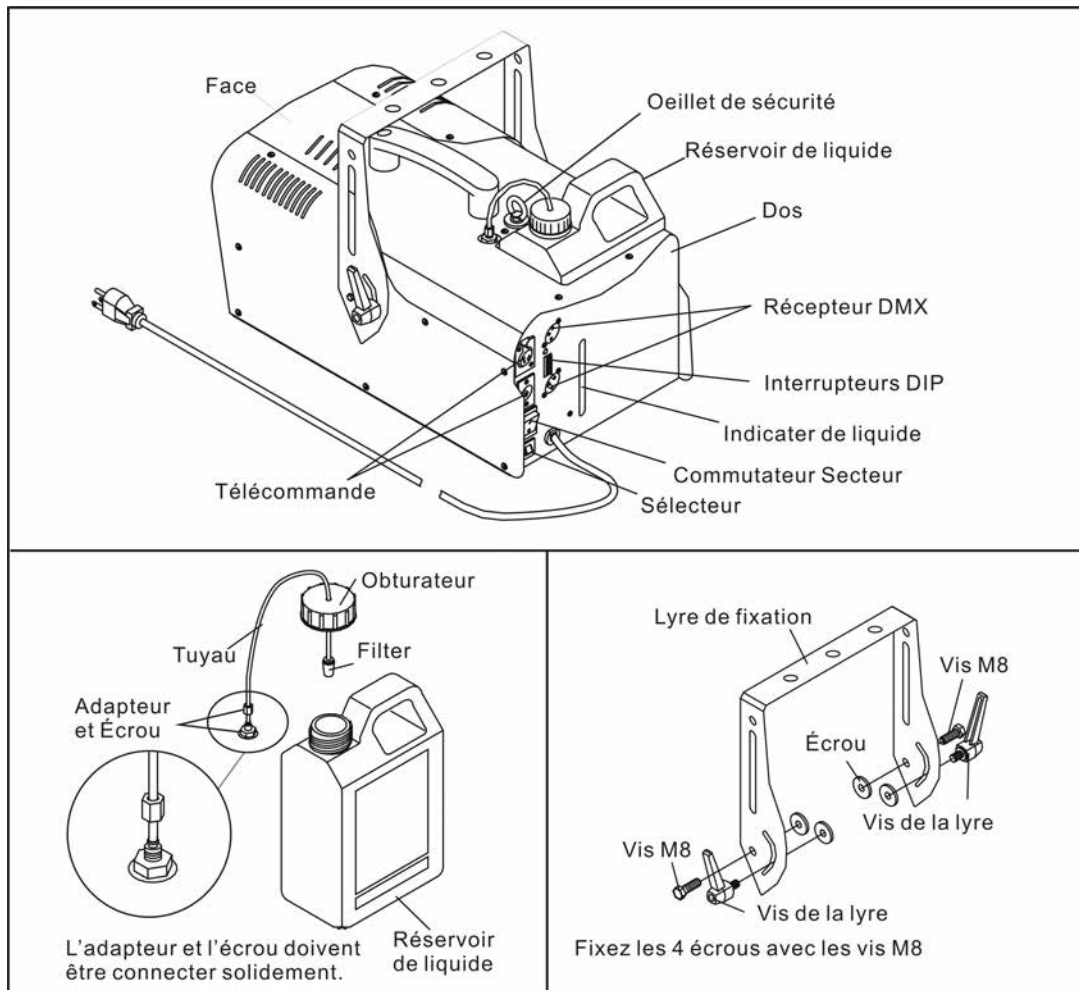
Z-1200II Maniement

- Branchez la fiche d'alimentation de la machine à fumée dans une prise de courant avec terre. Mettez le commutateur d'alimentation à l'arrière de l'appareil en mode "ON". Le temps de préchauffage est terminé, dès que l'indicateur lumineux vert de la télécommande s'allume.
- Pour déclencher le jet de fumée, pressez le bouton correspondant de la télécommande. Continuez à appuyer sur le bouton jusqu'à ce que le débit désiré soit atteint.
- L'indicateur lumineux sur la télécommande s'éteint chaque fois que la machine rechauffe pour atteindre la température de fonctionnement nécessaire.
- Pour des informations complémentaires concernant le maniement de votre machine à fumée ANTARI, voir la partie intitulée "Maniement avec télécommande".

Important: Toujours surveiller le niveau de liquide dans le réservoir pendant son utilisation. L'utilisation de la machine à fumée sans liquide pourrait endommager l'unité.

Z-1200II: Votre modèle dispose d'un lyre de fixation et peut être fixé au plafond. Lors de cette installation, faites attention que la fumée ne s'évapore pas directement en direction de visages des personnes. Quelle que soit la méthode d'installation que vous choisissiez, faites attention à ce que l'angle d'inclinaison ne soit pas supérieure à 25 degrés.

Z-1200II Description



Remarque: Si vous constatez un débit trop faible, un bruit de la pompe ou un manque total de fumée, débranchez immédiatement votre machine. Vérifiez le niveau de liquide, le fusible externe, la connection à la télécommande et l'alimentation au secteur. Si tout apparaît être correct, branchez de nouveau. S'il n'y a aucune production de fumée après que vous avez pressé le bouton de la télécommande pendant 30 secondes, vérifiez si le liquide passe par le disperser qui est attaché au réservoir. Si vous n'arrivez pas à déterminer la cause du problème, ne continuez pas à presser le bouton de la télécommande. Cela pourrait endommager votre machine. Retournez la machine à votre revendeur ANTARI.

Z-1200II Caractéristiques Techniques

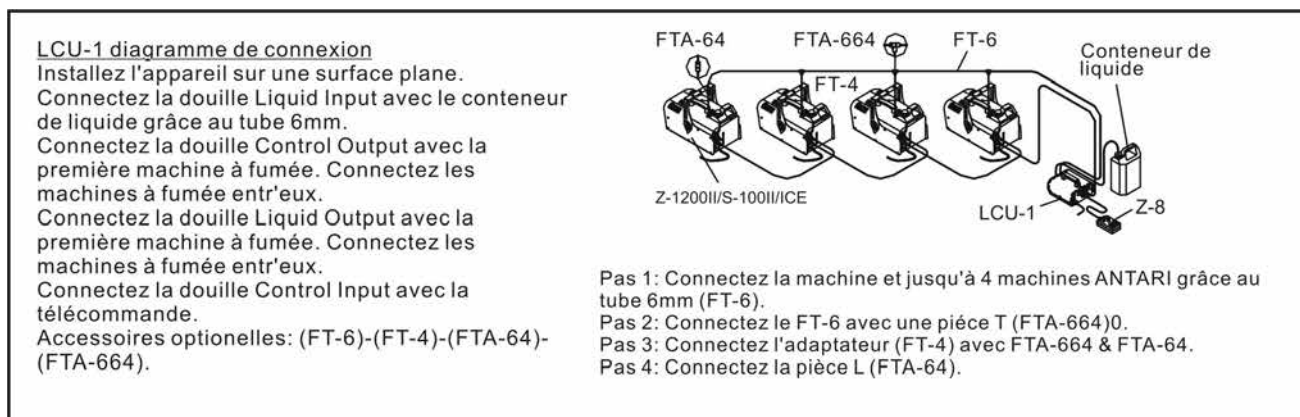
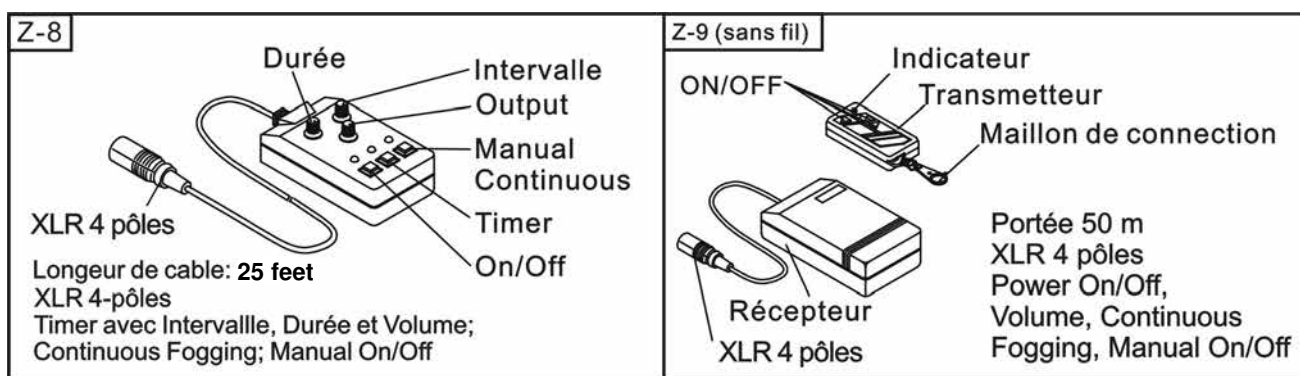
Alimentation	US model : AC100-120V, 50 / 60Hz 10.5A EU model : AC 220-240V, 50 / 60Hz 5.5A
Puissance de rendement	1200W
Temps de chauffage	env. 10 m ³ /min.
Consommation de liquide	72 ml/min
Contenu du réservoir	2.5l (0.66gal)
Liquide compatible	Antari FLG Heavy Fog Fluid Antari FLR Light Fog Fluid
Température ambiante	0 °C - 40 °C (32 °F-104 °F)
Volume d'émission	18,000 ft ³ /min (510 m ³ /min)
Contrôle	DMX512, manuellement, Timer Sans fil (facultatif)
Canaux DMX	1 canal
Connexion	XLR 3 pôles (DMX)
Accessoires	Z-9 Télécommande sans fil
Dimensions	L458 I243 H251 mm (L18.03 I9.57 H9.88 inch)
Poids	10.9 kg (24.03 lbs)

Maniement avec télécommande

La **Z-8** est une télécommande multifonctionnelle qui contrôle le modèle **Z-1200II** d'Antari par un câble de 25 pieds ayant une fiche à 4 pôles.

- Le bouton intervalle ajuste le temps entre les décharges, quand la fonction de timer est engagée. La bande est de 10 secondes ~ 250 secondes.
- Le second bouton avec l'inscription volume, contrôle le volume de la fumée produite. La bande est de 0% ~ 100% de débit maximal.
- Le bouton jaune TIMER contrôle la fonction timer. Pressez le bouton pour l'activer. En cas d'activation, le témoin lumineux jaune s'allumera. L'ajustement du bouton interval détermine le temps entre les débits de fumée (10 ~ 250 secondes). La durée du débit est ajustée à 15 secondes. Le volume peut être ajusté en utilisant le bouton volume pour contrôler la quantité de fumée produit.
- Le bouton rouge CONTINUOUS cause que l'appareil ait une production constante de fumée. Pour activer cette fonction, pressez le bouton rouge. Le bouton volume peut être utilisé pour régler le volume du courant constant de fumée produit.
- Le bouton MANUAL vert produira un débit continu à volume maximal, pendant que le bouton est pressé. Si relâché, la fonction manual s'arrête et l'appareil retourne vers l'ajustement avant; timer, continu ou stationnaire.

Remarque: la fonction Continuous dominera la fonction Timer. Pour cette raison, si les deux boutons ont été pressés, le Fazer produira de la fumée de manière continue. La fonction manual dominera toutes les fonctions. Si pressé et tenu, le Fazer produira du débit aussi longtemps que le bouton est pressé, indépendamment des ajustements de l'appareil à ce moment donné.



Z-1500II, Z-3000II Maniement

- ◆ Branchez la fiche d'alimentation de la machine à fumée dans une prise de courant avec terre. Mettez le commutateur d'alimentation à l'arrière de l'appareil en mode "ON". Le temps de préchauffage est terminé, dès que l'indicateur lumineux vert de la télécommande s'allume.
- ◆ Pour déclencher le jet de fumée, pressez le bouton correspondant de la télécommande. Continuez à appuyer sur le bouton jusqu'à ce que le débit désiré soit atteint.
- ◆ L'indicateur lumineux sur la télécommande s'éteint chaque fois que la machine rechauffe pour atteindre la température de fonctionnement nécessaire.
- ◆ Pour des informations complémentaires concernant le maniement de votre machine à fumée ANTARI, voir la partie intitulée "Maniement avec télécommande".

Important: Surveillez toujours le niveau de liquide à fumée dans le réservoir pendant les jets de fumée. Un emploi sans liquide à fumée peut endommager la machine.

Remarque: Si vous constatez un débit trop faible, un bruit de la pompe ou un manque total de fumée, débranchez immédiatement votre machine. Vérifiez le niveau de liquide, le fusible externe, la connection à la télécommande et l'alimentation au secteur. Si tout apparaît être correct, branchez de nouveau. S'il n'y a aucune production de fumée après que vous avez pressé le bouton de la télécommande pendant 30 secondes, vérifiez si le liquide passe par le disperseur qui est attaché au réservoir. Si vous n'arrivez pas à déterminer la cause du problème, ne continuez pas à presser le bouton de la télécommande. Cela pourrait endommager votre machine. Retournez la machine à votre revendeur ANTARI.

Z-1500II & Z-3000II Caractéristiques Techniques

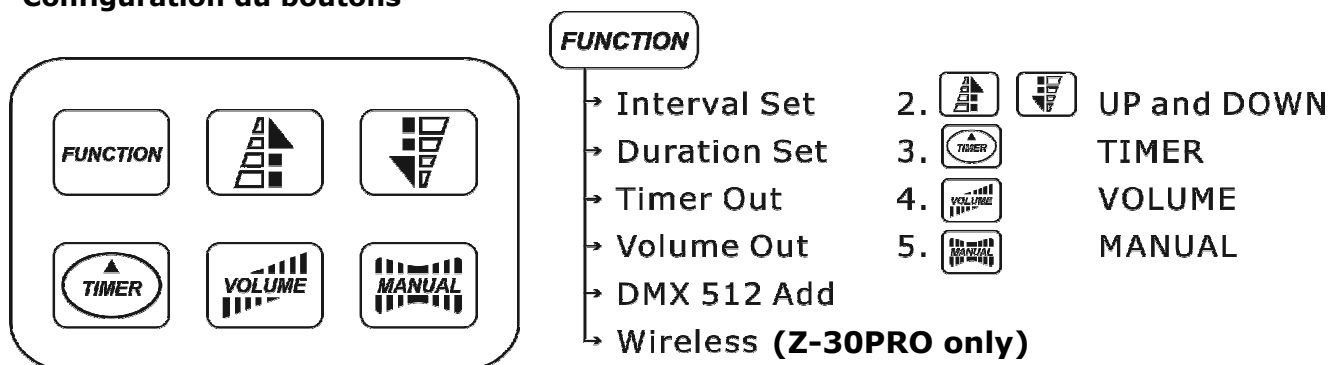
	Z-1500II	Z-3000II
Alimentation	US model : AC100-120V, 50/60Hz 10.5A EU model : AC 220-240V, 50/60Hz 6.3A	EU model : AC 220-240V, 50/60Hz 11A
Puissance de rendement	1450W	2500W
Temps de chauffage	env. 10 m ³ /min.	env. 12 m ³ /min.
Consommation de liquide	110 ml/min	200 ml/min
Contenu du réservoir	6l (1.59gal)	6l (1.59gal)
Liquide compatible	Antari FLG Heavy Fog Fluid Antari FLR Light Fog Fluid	Antari FLG Heavy Fog Fluid Antari FLR Light Fog Fluid
Température ambiante	0°C - 40 °C (32 °F-104 °F)	0°C - 40 °C (32 °F-104 °F)
Volume d'émission	20,000 ft ³ /min (566 m ³ /min)	40,000 ft ³ /min (1133 m ³ /min)
Contrôle	DMX512, manuellement, Timer Sans fil (facultatif)	DMX512, manuellement, Timer Sans fil (facultatif)
Canaux DMX	1 canal	1 canal
Connexion	XLR 3 pôles et 5pôles (DMX)	XLR 3 pôles et 5pôles (DMX)
Accessoires	Z-30 Pro Télécommande sans fil	Z-30 Pro Télécommande sans fil
Dimensions	L688 I285 H257 mm (L27.09 I11.22 H10.12 inch)	L735 I310 H269 mm (L28.94 I12.20 H10.59 inch)
Poids	14 kg (30.86 lbs)	19.9 kg (43.87 lbs)

Z-20 Maniement avec télécommande

- ◆ **Z-20:** La télécommande multifonction Z-20 est reliée à un cordon de 2 m, et est composée de 5 broches XLR, et peut être connectée aux différents modèles de machines à fumée Z-1500II et Z-3000II. Son interface permet à l'opérateur d'adapter des fonctions aux besoins du client de machine de brouillard en ajustant la durée, l'intervalle et le volume de ternissement. Son affichage à cristaux liquides montre les paramètres d'emploi courants, qui sont automatiquement stockés dans la mémoire non-volatile, permettant à la machine d'être mise hors tension sans arrangements perdants de fonction.

Après de mettre en service, l'écran LCD indique brièvement »Antari Z-20« et la machine commence à réchauffer et l'écran LCD indique »Warming Up«. Pendant la phase de chauffe, l'appareil ne peut pas encore dégager de la fumée. Enregistrez vos réglages à l'aide de la panneau de contrôle. Quand le temps de préchauffage est terminé, émission de fumée est possible. L'écran LCD indique »Ready to Fog«.

-Configuration du boutons



-Réglage de menu avec le bouton FUNCTION

Réglage de l'intervalle pour le fonctionnement timer

Appuyez sur le bouton FUNCTION jusqu'à l'écran indique »Interval Set« [réglage de l'intervalle]. Utilisez les boutons UP et DOWN pour ajuster les intervalles entre les dégagements individuels de fumée pour le fonctionnement timer (plage de réglage : 1 à 200 secondes).

Réglage de la durée pour fonctionnement timer

Appuyez sur le bouton FUNCTION jusqu'à l'écran indique »Duration Set« [réglage de la durée]. Utilisez les boutons UP et DOWN pour ajuster la durée de chaque dégagement de fumée entre 1 à 200 secondes.

Réglage de la volume de fumée pour le fonctionnement timer

Appuyez sur le bouton FUNCTION jusqu'à l'écran indique »Timer Out« [réglage du volume de fumée]. Utilisez les boutons UP et DOWN pour ajuster le volume de fumée pour le fonctionnement timer entre 1 % à 100 %.

Réglage de la volume de fumée pour le fonctionnement continu

1. Appuyez sur le bouton FUNCTION jusqu'à l'écran indique »Volume Out« [réglage du volume de fumée]. Utilisez les boutons UP et DOWN pour ajuster le volume de fumée pour le fonctionnement continu entre 1 % à 100 %.
2. Pour choisir fumée continu pour le fonctionnement continu, choisissez »NON STOP BURST« sous un valeur de 1 % ou au dessus d'un valeur de 100 %.

Remarque : Quand vous ajustez le volume de fumée à plus de 30 %, la machine interrompt le dégagement de fumée temps à temps pour rechauffer. Quand vous ajustez »NON STOP BURST«, la machine à fumée ajuste le dégagement de fumée et la température d'élément de chauffe automatiquement et n' interrompt pas le dégagement de fumée.

Réglage de l'adresse DMX512

Appuyez sur le bouton FUNCTION jusqu'à l'écran indique »DMX 512 Add« [Réglage de l'adresse DMX512]. Utilisez les boutons UP et DOWN pour régler l'adresse DMX de l'appareil. Veuillez vous référer au chapitre sur la configuration DMX512.

-Fonctionnement continu

Pour activer le mode continu, appuyez sur le bouton VOLUME. En mode continu, l'appareil dégage tout le temps de la fumée. L'écran indique »Volume« et la valeur ajustée ou Nonstop Burst [fumée continu] au menu "Volume Out" [réglage du volume de fumée]. Pour désactiver le débit de fumée, appuyez sur le bouton VOLUME autre fois.

Remarque : Quand vous ajustez le volume de fumée à plus de 30 %, la machine interrompt le dégagement de fumée temps à temps pour rechauffer. Quand vous ajustez »NON STOP BURST«, la machine à fumée ajuste le dégagement de fumée et la température d'élément de chauffe automatiquement et n' interrompt pas le dégagement de fumée.

-Fonctionnement manuel

Pour dégager immédiatement manuellement la fumée avec quantité maximale, appuyez et maintenez le bouton MANUAL. L'écran indique »Manual 100 %«. En lâcher le bouton, le dégagement de fumée est arrêté. Le fonctionnement manuel est prioritaire sur le mode continu et le mode timer. Lorsque un des modes de maniement est activé, la machine à fumée dégage tout le temps de la fumée avec volume de débit maximal quand vous presser le buton MANUAL.

-Fonctionnement timer

En mode timer, l'appareil dégage automatiquement de la fumée. Les intervalles, la durée et le volume de fumée dépend des paramètres individuels du menu. Pour activer le mode timer, appuyez sur le bouton TIMER. L'écran indique la alors l'intervalle ajusté et l'appareil compte les secondes à partir de 0. Pour désactiver le mode timer, appuyez sur le bouton TIMER autre fois.

- **Z-30PRO:**La contrôleur sans fil Z-30PRO compose d'un transmetteur avec deux boutons pour activer le débit de fumée et un récepteur fixé sur chaque modelé de Z-30PRO

*** Transmetteur:**



Avec le transmetteur, il est possible de débiter de fumée dedans un rayon d'action de 50 mètres. Le transmetteur est compatible avec chaque récepteur de Z-30PRO et peut contrôler des machines illimitée en mémé temps.

Pour dégager la fumée, appuyez sur la bouton "A". Le volume de fumée dépend de l'ajustement sous l'entrée de menu »Volume Out« [réglage du volume de fumée]. L'écran indique »Volume« et la valeur ajustée ou Nonstop Burst quand fumée continu est ajusté. Comme contrôle additionnel, la LED bleu et allumée. Pour désactiver le débit de fumée, appuyez sur la bouton "B".

*** Récepteur :**



Le récepteur est testé et fixé sur chaque modèle de Z-30PRO. S'il vous plaît ne pas essayer de le détacher. Le récepteur réagit à jusqu'à 5 transmetteurs différents enregistrés avec la machine. Le transmetteur inclus est enregistré avec la machine avant la livraison. Il est possible de l'utiliser directement sans réglage initiale.

-Register transmetteurs

Pour le fonctionnement de la machine avec un transmetteur différent comme livré, ou avec jusqu'à 5 transmetteurs différents, chaque transmetteur doit être enregistré premièrement. Veuillez mettre la machine en service. Quand l'écran indique »Wireless Setup« [réglage sans fil], pressez le bouton "A" 1 seconde sur chaque transmetteur. Les transmetteurs avant sont éteint de la mémoire du récepteur. L'ajustement doit être fini dedans 15 secondes après de mettre la machine en service. En ce cas, la machine va quitter le mode d'ajuster le transmetteur automatiquement. L'écran indique "Wireless Setup OK" [réglage sans fil OK]. L'écran indique "Wireless Setup OK" [réglage sans fil OK]. Maintenant, il n'est plus possible d'ajouter plus de transmetteurs.

Quand vous ne registrez pas d'un transmetteur quand la machine est mis en service, la mémoire du récepteur contient l'opération avant.

Ajuster exemple 1 :

Veuillez mettre la machine en service pour enregistrer un ou plusieurs de transmetteurs. Quand l'écran indique »Wireless Setup«, pressez le bouton "A" 1 seconde sur chaque transmetteur entre 15 secondes pour commencer la transmission du signal.

Ajuster exemple 2 :

Pour utiliser un transmetteur pour contrôler deux ou plus machines, veuillez mettre les machines en service respectivement. Quand l'écran indique »Wireless Setup«, pressez le bouton "A" 1 seconde sur le transmetteur entre 15 secondes pour commencer la transmission du signal.

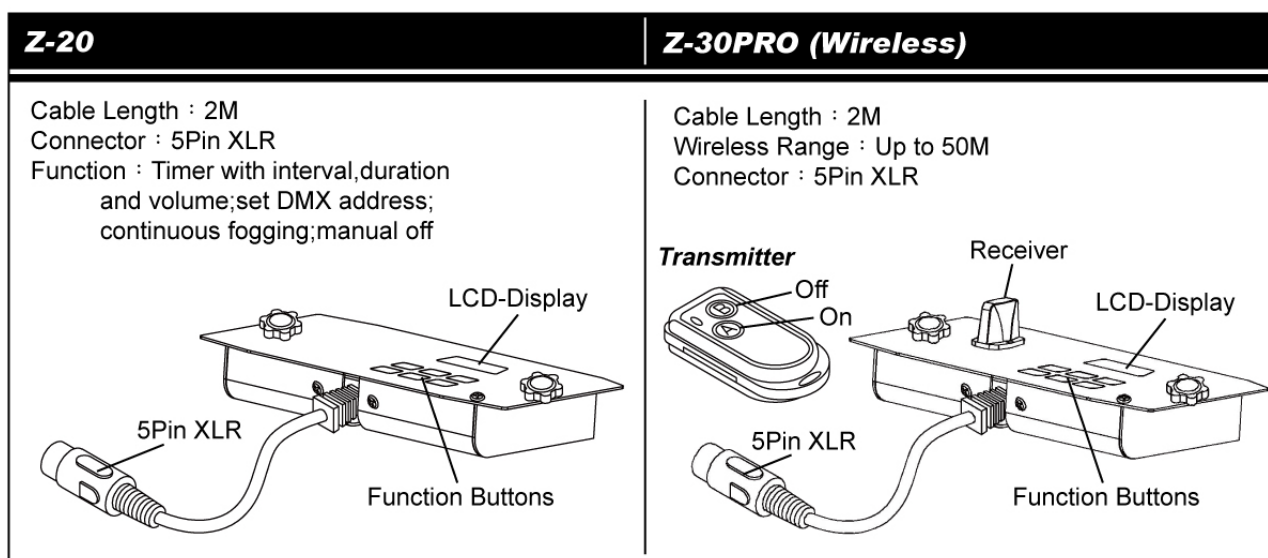
-Changer la pile du transmetteur

Quand le rayon d'action du transmetteur cesse, la pile est probablement vide et doit être remplacée. Veuillez ouvrir le couvercle et quitter la pile vide. Insérez une pile nouvelle DC 12V comme indiqué dans le compartiment de pile et remplacez le couvercle.

Mettant la fonction sans fil en/hors marche

Appuyez sur le bouton FUNCTION jusqu'à l'écran indique »Wireless On« [sans fil en marche]. Utilisez les boutons UP et DOWN pour désactiver la fonction sans fil (indication »Wireless Off« et pour réactiver la fonction (indication »Wireless On«).

Remarque : l'écran indique »W« pour transmetteur sans fil quand cette fonction est activée.



Remarques de fonctionnement

- Toutes machines à fumée dégagent une condensation autour de son bec de sortie qui pourrait mener à une accumulation d'humidité au-dessus de l'appareil. Prenez cela en considération lors du choix de l'emplacement de votre appareil.
- Pendant son fonctionnement ou quelque temps après, il se peut de temps à autre qu'une machine à fumée débite spontanément de la fumée.
- Après une utilisation continue toutes machine à fumée a besoin de pauses de fonctionnement pour garder une température correcte. Pendant ce temps-là, aucune fumée ne peut être produite et la DEL verte "READY" sur la télécommande sera éteinte. Elle s'allumera quand la machine sera de nouveau prête à l'emploi.

Nettoyage et Maintenance

Nettoyer la machine régulièrement pour éviter des frais de réparation et parties de rechange.

Après une utilisation continue de 2,000 heures, il est recommandé de procéder à un nettoyage de l'appareil pour éviter une accumulation de résidus dans l'élément de chauffage avec d'eau distillée. Pratiquez le nettoyage de la manière suivante:

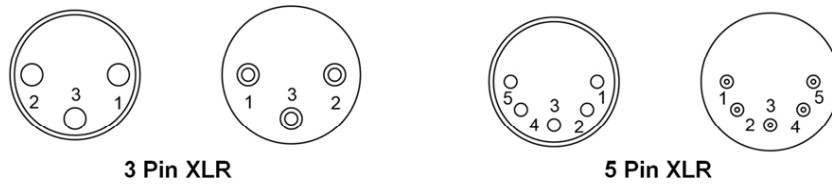
1. Insérez l'eau distillée dans le reservoir propre et insérez le tuyau d'liquide dans le reservoir.
2. Faites marchez la machine dans une salle bien aérée jusqu'à ce que son réservoir soit vide.
3. Nettoyez le boîtier de la machine seulement avec un chiffon sec.

Nettoyer l'appareil après de stocker. L'appareil est à stocker au sec. Mettez la machine en service chaque mois.

Lisez et gardez ces instructions.

Configuration de la connexion DMX

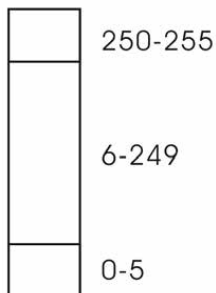
La machine possède fiches XLR 3 pôles et 5 pôles pour connecter un contrôleur DMX. Le graphique ci-dessous montre la configuration des fiches.



Contact	Fonction
1	Masse
2	Signal-
3	Signal+

Série Antari Z-1200II, Z-1500II, Z-3000II DMX

Réglages DMX pour des machines à fumée avec contrôle DMX



0 - 5 = Arrêt

6 – 249 = Réglage du débit de fumée (5% - 95%)

250 – 255 = Débit de fumée maximal (100%)

Les machines à fumée Z-1200II, Z-1500II et Z-300II possèdent un contrôle DMX. Tous les trois modèles peuvent être réglés par un canal DMX en ce qui concerne le débit de fumée. Chaque canal varie entre les valeurs DMX 0 à 255. Des fonctions Timer comme la durée de fumée et intervalle peuvent être programmés par le contrôleur DMX ou par le logiciel DMX via la fenêtre d'effets lumineux.

Entre les valeurs 0 et 5 du canal de contrôle A, la machine est en arrêt.

Le débit de fumée est réglé entre les valeurs 6 à 249. Dans ce contexte, la valeur 6 concerne le débit de fumée minimal et 249 concerne le débit de fumée maximal. Le débit de fumée augmente avec une valeur DMX croissante.

Entre les valeurs 250 et 255, la machine fonctionne avec un débit de fumée maximal.

S'il vous plaît faites attention que si la machine était codée sur l'adresse initiale DMX 124 dans l'exemple en haut, le canal A correspond exactement à cette adresse initiale DMX.

En général, les machines à fumée d'Antari contrôlés par DMX ont les données de puissance suivantes:

1. Température de fonctionnement moyenne = 250°C
2. Durée d'intervalle avec un débit de fumée maximal env. 30 secondes
3. Débit de fumée constant avec env. 25% de débit de fumée (ce qui correspond à une valeur DMX entre 75).

Codage de l'appareil (Z-1200II)

Chaque appareil occupe 1 canal de contrôle. Pour que les signaux de commande s'adressent correctement à chaque appareil, les appareils doivent être codés. Le codage doit être effectué séparément à chaque appareil: régler les minirupteurs selon le relevé ci-contre.

L'adresse initiale est le premier canal à partir le appareil répond au contrôleur DMX.

Assurez-vous qu'il n' y ait pas de canaux entrelacés pour assurer un contrôle correct et indépendant d'autres appareils DMX. Lorsque deux ou plus appareils sont codés à la même adresse initiale, ils fonctionneront synchronement.

Occupation des interrupteurs DIP:

Ajuster l'adresse initiale DMX:	Interrupteur DIP no.	1	2	3	4	5	6	7	8	9
Nombre de l'appareil & canaux	Adresse initiale DMX	1	2	4	8	16	32	64	128	256
Appareil 1 - canal 1	On	▲								
	Off		▽	▽	▽	▽	▽	▽	▽	▽
Appareil 2 - canal 2	On		▲							
	Off	▽		▽	▽	▽	▽	▽	▽	▽
Appareil 3 - canal 3	On	▲	▲							
	Off			▽	▽	▽	▽	▽	▽	▽
Appareil 4 - canal 4	On			▲						
	Off	▽	▽		▽	▽	▽	▽	▽	▽
Appareil 5 - canal 5	On	▲		▲						
	Off		▽		▽	▽	▽	▽	▽	▽



Bedienungsanleitung

Antari Z 1200II, Z-1500II & Z-3000II Nebelgerät

*Wir beglückwünschen Sie zum Kauf Ihres neuen
ANTARI Z II NEBELGERÄTES.*

Einleitung

Vielen Dank, dass Sie sich für ein ANTARI Z Nebelgerät entschieden haben. Sie sind nun im Besitz eines robusten und leistungsstarken Nebelgerätes. Vor Benutzung des Gerätes bitte unbedingt diese Bedienungsanleitung sorgfältig lesen. Wenn Sie die Hinweise in dieser Bedienungsanleitung beachten, können Sie sich in den nächsten Jahren auf eine zuverlässige und überzeugende Leistung Ihres ANTARI Nebelgerätes freuen.

Bitte beachten Sie die folgenden Hinweise im Bezug auf Bedienung, Sicherheit und Wartung, um eine lange Lebensdauer und einen sicheren Betrieb Ihres Nebelgerätes sicherzustellen.

ACHTUNG:

Gefahr des elektrischen Schlages. Trennen Sie das Gerät vom Netz, bevor Sie die Abdeckung entfernen.

Gefahr eines elektrischen Schlages

- Vor Nässe schützen.
- Nur innerhalb geschlossener Räume betreiben. Nicht für den Betrieb im Freien geeignet.
- Für die 110V Modelle verwenden Sie bitte ausschließlich 3-adrige, geerdete Steckdosen. Vor Inbetriebnahme darauf achten, dass das Gerät an die richtige Spannung angeschlossen wird.
- Vor Befüllen des Tankes ist Ihr ANTARI Z Nebelgerät immer vom Netz zu trennen.
- Achten Sie darauf, dass das Nebelgerät stets aufrecht installiert ist.
- Wird das Gerät außer Betrieb genommen, ist das Gerät auszuschalten oder vom Netz zu trennen.
- Dieses Gerät ist nicht wasser- oder spritzwassergeschützt. Sollte Feuchtigkeit, Flüssigkeit oder Nebelfluid in das Geräteinnere eindringen, trennen Sie bitte das Nebelgerät sofort vom Netz und wischen Sie es mit sauberen, trockenen Tuch.
- Keine zu wartenden Teile im Geräteinnern. Wartungsarbeiten sind nur vom Ihrem ANTARI-Händler oder qualifizierten Servicetechnikern durchzuführen.

Brandgefahr

- Nur für Erwachsene. Das Nebelgerät muss außerhalb der Reichweite von Kindern installiert werden. Betreiben Sie das Gerät niemals unbeaufsichtigt.
- Richten Sie die Nebelaustrittsdüse niemals direkt auf Personen.
- Der Ausstoß des Nebelgerätes ist sehr heiß. Halten Sie während des Betriebes einen Sicherheitsabstand von ca. 60 cm zur Austrittsdüse ein.
- Installieren Sie das Nebelgerät an einem gut belüfteten Ort. Niemals die Lüftungsschlitze verdecken. Um eine ausreichende Belüftung zu gewährleisten, halten Sie bitte einen Mindestabstand von 20 cm um und über dem Gerät ein.
- Richten Sie die Austrittsdüse niemals auf offene Flammen.
- Wenn die Versorgungsschnur beschädigt wird, muss sie vom Hersteller oder dem Kundendienst oder ähnlich qualifiziertem Personal ersetzt werden, um eine Gefahr zu vermeiden.
- Die Austrittsdüse wird während des Betriebes sehr heiß (200° C). Für leicht entflammbare Materialien muss ein Mindestabstand von 50 cm zur Austrittsdüse eingehalten werden.

- Lassen Sie Ihr ANTARI Nebelgerät vor Reinigungs- und Wartungsarbeiten abkühlen.

Explosionsgefahr

- Mischen Sie niemals entzündliche Flüssigkeiten jeglicher Art (Öl, Gas, Duftstoffe) unter das Nebelfluid.
- Verwenden Sie ausschließlich hochwertige und von Ihrem Händler empfohlene Nebelfluidе auf Wasserbasis. Andere Nebelfluidе können zum Verstopfen oder Tropfen des Gerätes führen.
- Achten Sie unbedingt darauf, dass sich immer eine ausreichende Menge Nebelfluid im Tank befindet. Der Betrieb ohne Nebelfluid führt zu Pumpenschäden und zur Überhitzung des Heizelementes.
- Entleeren Sie den Tank immer, bevor Sie das Gerät verschicken oder transportieren.
- Trinken Sie niemals Nebelfluid. Sollte es dennoch einmal verschluckt werden, konsultieren Sie bitte sofort einen Arzt. Sollte die Haut oder die Augen einmal mit Nebelfluid in Berührung kommen, bitte sorgfältig mit Wasser auswaschen.

Hinweis: Bitte beachten Sie alle auf dem Gehäuse Ihres ANTARI NEBELGERÄTES angebrachten Warnhinweise und Anweisungen.

Auspacken & auf Transportschäden untersuchen

Öffnen Sie den Außenkarton und stellen Sie sicher, dass alle Teile, die für den Betrieb des Systems notwendig sind, in einem einwandfreien Zustand eingetroffen sind.

Der Versandkarton sollte folgendes enthalten:

1. Ein Nebelgerät der Serie Z-II mit Netzkabel
2. Montagebügel mit Schrauben und Unterlegscheiben (Z-1200II)
3. Z-8 Multi-Funktionskabelfernbedienung (Z-1200II)
4. Z-20 Multi-Funktionskabelfernbedienung (Z-1500II & 3000II)
5. Bedienungsanleitung

Wenn Ausrüstungsteile fehlen sollten, nehmen Sie bitte sofort mit Ihrem ANTARI-Händler Kontakt auf.

Bevor Sie mit der Inbetriebnahme Ihres ANTARI Z-1200II, Z-1500II und Z-3000 II Nebelgerät, beginnen, stellen Sie sicher, dass kein offensichtlicher Transportschaden vorliegt. Falls das Gehäuse der Einheit oder das Kabel beschädigt sein sollte, stecken Sie es nicht in die Steckdose und versuchen Sie nicht, es zu benutzen, bevor Sie Ihren ANTARI-Händler kontaktiert haben.

Inbetriebnahme

- Entfernen Sie jegliches Verpackungsmaterial vom Versandkarton. Vergewissern Sie sich, dass alle Schaumstoff- und Plastikeinlagen entfernt wird, insbesondere in der Nähe der Austrittsdüse.
- Installieren Sie das Nebelgerät auf einer ebenen Oberfläche und schrauben Sie den Deckel des Fluidtanks ab.
- Füllen Sie den Tank mit ANTARI Nebelflüssigkeit oder anderen hochwertigen Nebelfluidе auf Wasserbasis. Alle anderen Fluidarten können Beschädigungen am Gerät zur Folge haben. Nach dem Befüllen verschließen Sie den Tank bitte wieder mit dem Deckel.
- Stecken Sie das Fernbedienungskabel fest in die richtige Eingangsbuchse auf der Rückseite des Gerätes ein.

Z-1200II Bedienung

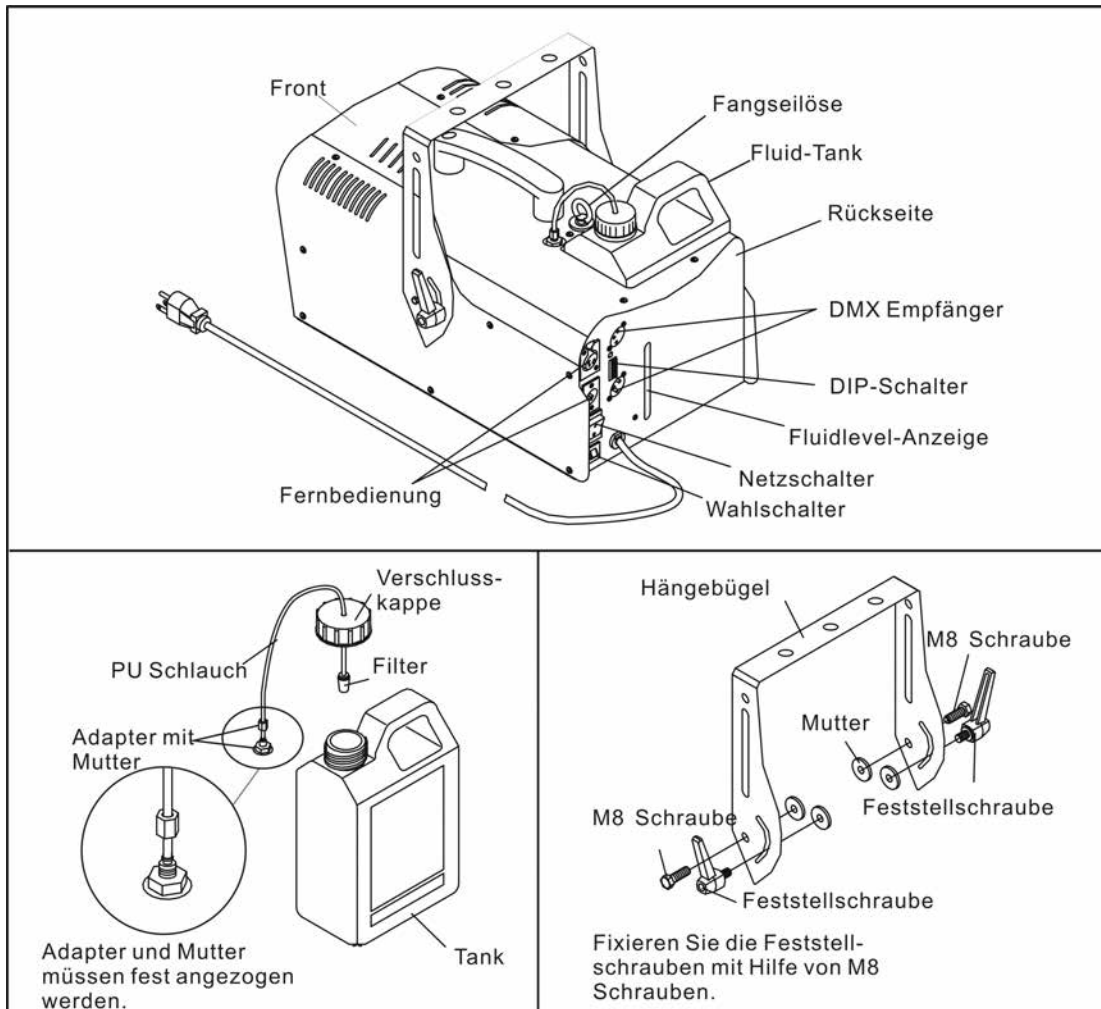
- Füllen Sie vorsichtig Flüssigkeit in den Tank. Überfüllen Sie den Tank nicht.
- Stecken Sie den Netzstecker in eine geerdete Schukosteckdose ein. Wenn notwendig, schalten Sie den Netzschalter auf der Rückseite des Gerätes auf "ON". Die Aufheizzeit ist beendet, sobald die grüne Lampe auf der Fernbedienung aufleuchtet.
- Um den Nebelausstoß auszulösen, drücken Sie bitte den entsprechenden Knopf auf der Fernbedienung. Halten Sie den Knopf solange gedrückt, bis der gewünschte Ausstoß erreicht ist.
- Die Lampe auf der Fernbedienung wird in dem Maße an- und ausgehen, wie das Gerät wieder aufheizt, um die korrekte Betriebstemperatur zu erreichen.
- Weitere Informationen zum Betrieb Ihres ANTARI Z-1200II, Z-1500II und Z-3000 II Nebelgerätes finden Sie unter "Bedienung über eine Fernbedienung".

Wichtig: Während des Nebelns immer auf die Fluidtankanzeige achten. Der Betrieb eines

Nebelgerätes ohne Fluid kann zu irreparablen Schäden Ihres Gerätes führen.

Z-1200II: Ihr Modell verfügt über einen Hängebügel; das Gerät kann auf dem Boden oder hängend installiert werden. Wird das Gerät hängend installiert, achten Sie bitte darauf, dass der Nebel niemals direkt in das Gesicht einer Person ausgestoßen wird. Welche Installationsmethode Sie auch wählen, achten Sie darauf, dass der Neigungswinkel niemals 25 Grad überschreitet.

Z-1200II Beschreibung



Hinweis: Sollten Sie einen verminderten Ausstoß, Pumpgeräusche oder überhaupt keinen Ausstoß feststellen, sofort vom Netz trennen. Kontrollieren Sie den Fluidstand, die externe Sicherung, den Anschluß zur Fernbedienung und die Stromversorgung. Sollte nach 30 Sekunden permanenten Drückens des Fernbedienungsknopfes immer noch kein Ausstoß erfolgen, überprüfen Sie bitte den Verbindungsschlauch zum Tank und vergewissern Sie sich, dass Fluid hindurchfließen kann. Wenn Sie die Ursache des Problems nicht feststellen können, drücken Sie bitte nicht weiter die Fernbedienungstaste, da dies zu Schäden am Gerät führen kann. Schicken Sie das Gerät bei Ihrem ANTARI-Händler ein.

Z-1200II Technische Daten

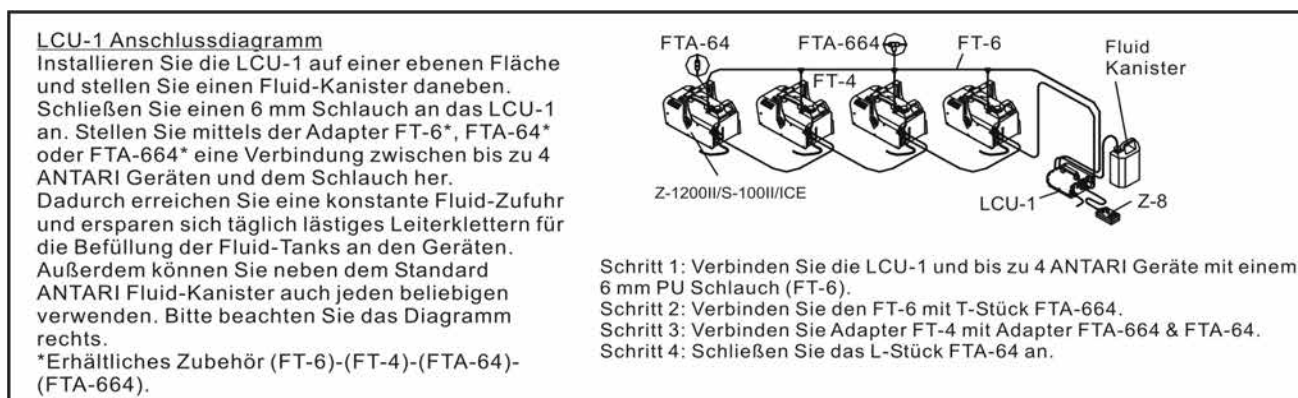
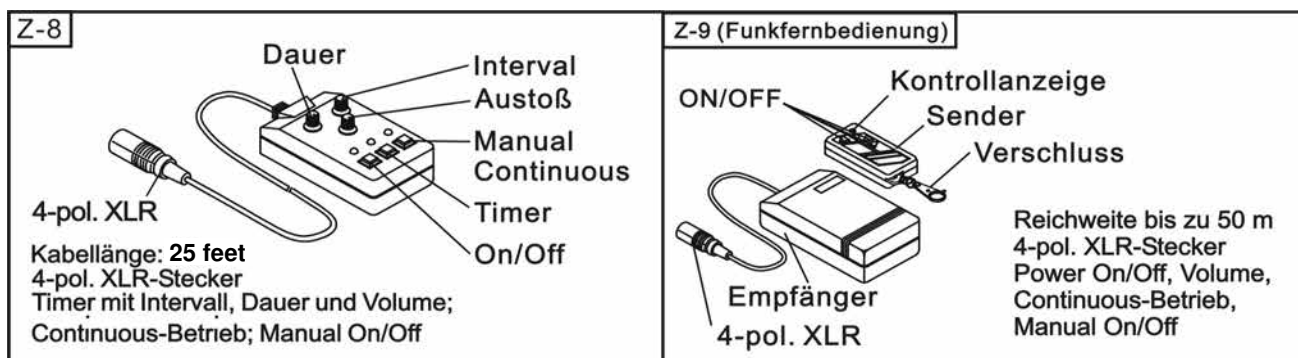
Spannungsversorgung	US model : AC100-120V, 50 / 60Hz 10,5A EU model : AC 220-240V, 50 / 60Hz 5,5A
Gesamtanschlusswert	1200W
Aufwärmzeit	10 Minuten (ca.)
Fluidverbrauch	72 ml/min
Tankinhalt	2,5l (0,66gal)
Kompatible Nebelflüssigkeit	Antari FLG Heavy Fog Nebelflüssigkeit Antari FLR Light Fog Nebelflüssigkeit
Umgebungstemperaturbereich	0 °C - 40 °C (32 °F-104 °F)
Leistung	18.000 ft ³ /min (510 m ³ /min)
Steuerung	DMX, manuell, Timer

DMX-Kanäle	Funk (optional)
Anschluss	1 Kanal
Zubehör	XLR 3-pol (DMX)
Maße	Z-9 Funkfernbedienung
	L458 B243 H251 mm
	(L18,03 B9,57 H9,88 inch)
Gewicht	10,9 kg (24,03 lbs)

Bedienung über eine Fernbedienung

- Die **Z-8** ist eine Multifunktions-Fernbedienung, mit der sich über ein 25 Füße-Kabel mit 4-poligem XLR-Stecker das Modell **ANTARI Z-1200II** fernbedienen lässt.
- Mit dem **Intervallknopf** kann die Zeit zwischen den Nebelproduktionen eingestellt werden, wenn der Timer aktiviert ist. Der Bereich beträgt 10 Sekunden ~ 250 Sekunden.
- Der zweite Knopf mit der Aufschrift **Volume** steuert das Volumen des produzierten Nebels. Der Bereich beträgt 0% ~ 100% des Maximaldurchsatzes.
- Der gelbe **TIMER**-Knopf steuert die Timerfunktion. Drücken Sie den Knopf, um ihn zu aktivieren. Bei Aktivierung leuchtet das gelbe Licht auf. Durch die Einstellung des Intervallknopfes wird die Zeit zwischen dem Nebelausstoß (10 ~ 250 Sekunden) eingestellt. Die Dauer des Ausstoßes ist auf 15 Sekunden eingestellt. Die Menge kann mit dem Volume-Einstellknopf eingestellt werden, um den Betrag des produzierten Nebels zu steuern.
- Der grüne **MANUAL**-Knopf bewirkt einen kontinuierlichen Ausstoß mit maximaler Menge, während der Knopf heruntergedrückt bleibt. Wenn er losgelassen wird, stoppt der manuelle Betrieb, und die Maschine kehrt zur vorherigen Einstellung zurück, d. h. Timer, Continuous oder Stationary.

Hinweis: Der Continuous-Betrieb dominiert über den Timer-Betrieb. Wenn daher beide Knöpfe heruntergedrückt wurden, stößt der Fazer kontinuierlich Nebel aus. Der manuelle Betrieb dominiert über alle Betriebsarten. Wenn er heruntergedrückt und gehalten wird, stößt der Fazer so lange Nebel mit maximaler Menge aus, wie der Knopf heruntergedrückt bleibt, und zwar unabhängig von der derzeit aktuellen Einstellung der Maschine.



Z-1500II, Z-3000II Bedienung

- Füllen Sie vorsichtig Flüssigkeit in den Tank. Überfüllen Sie den Tank nicht.
- Stecken Sie den Netzstecker in eine geerdete Schukosteckdose ein. Wenn notwendig, schalten Sie den Netzschalter auf der Rückseite des Gerätes auf "ON". Die Aufheizzeit ist beendet, sobald die grüne Lampe auf der Fernbedienung aufleuchtet.
- Um den Nebelausstoß auszulösen, drücken Sie bitte den entsprechenden Knopf auf der Fernbedienung. Halten Sie den Knopf solange gedrückt, bis der gewünschte Ausstoß erreicht ist.
- Die Lampe auf der Fernbedienung wird in dem Maße an- und ausgehen, wie das Gerät wieder aufheizt, um die korrekte Betriebstemperatur zu erreichen.
- Weitere Informationen zum Betrieb Ihres ANTARI Z-1500II und Z-3000 II Nebelgerätes finden Sie unter "Bedienung über eine Fernbedienung".

Achten Sie bei der Installation darauf, dass der Nebel niemals direkt in das Gesicht einer Person ausgestoßen wird und der Neigungswinkel niemals 25 Grad überschreitet.

Hinweis: Sollten Sie einen verminderten Ausstoß, Pumpgeräusche oder überhaupt keinen Ausstoß feststellen, sofort vom Netz trennen. Kontrollieren Sie den Fluidstand, die externe Sicherung, den Anschluß zur Fernbedienung und die Stromversorgung. Sollte nach 30 Sekunden permanenten Drückens des Fernbedienungsknopfes immer noch kein Ausstoß erfolgen, überprüfen Sie bitte den Verbindungsschlauch zum Tank und vergewissern Sie sich, dass Fluid hindurchfließen kann. Wenn Sie die Ursache des Problems nicht feststellen können, drücken Sie bitte nicht weiter die Fernbedienungstaste, da dies zu Schäden am Gerät führen kann. Schicken Sie das Gerät bei Ihrem ANTARI-Händler ein.

Z-1500II & Z-3000II Technische Daten

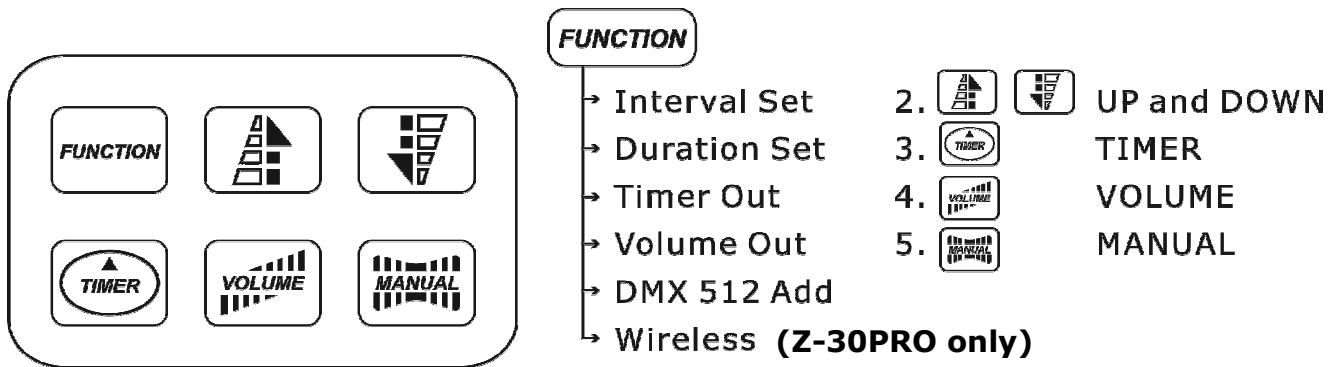
	Z-1500II	Z-3000II
Spannungsversorgung	US model : AC100-120V, 50/60Hz 12,5A EU model : AC 220-240V, 50/60Hz 6,3A	EU model : AC 220-240V, 50/60Hz 11A
Gesamtanschlusswert	1450W	2500W
Aufwärmzeit	10 Minuten (ca.)	12 Minuten (ca.)
Fluidverbrauch	110 ml/min	200 ml/min
Tankinhalt	6l (1,59gal)	6l (1,59gal)
Kompatible Nebelflüssigkeit	Antari FLG Nebelflüssigkeit Antari FLR Nebelflüssigkeit	Antari FLG Nebelflüssigkeit Antari FLR Nebelflüssigkeit
Umgebungstemperaturbereich	0°C - 40 °C (32 °F-104 °F)	0°C - 40 °C (32 °F-104 °F)
Leistung	20.000 ft ³ /min (566 m ³ /min)	40.000 ft ³ /min (1133 m ³ /min)
Steuerung	DMX, manuell, Timer Funk (optional)	DMX, manuell, Timer Funk (optional)
DMX-Kanäle	1 Kanal	1 Kanal
Anschluss	XLR 3-pol und 5-pol (DMX)	XLR 3-pol und 5-pol (DMX)
Zubehör	Z-30 Pro Funkfernbedienung	Z-30 Pro Funkfernbedienung
Maße	L688 B285 H257 mm (L27,09 B11,22 H10,12 inch)	L735 B310 H269 mm (L28,94 B12.20 H10,59 inch)
Gewicht	14 kg (30,86 lbs)	19,9 kg (43,87 lbs)

Z-20 Bedienung über eine Fernbedienung

Die Z-20 ist eine Fernbedienung, mit der sich über ein 2 Meter-Kabel mit 5-poligem XLR-Stecker die ANTARI-Nebelgeräte Z-1500II und Z-3000II bedienen lassen. Die Schnittstelle der Fernbedienung ermöglicht persönliche Einstellungen bei Nebeldauer, Zeitabstand und Volumen. Das LCD Display zeigt die aktuellen Parameter an. Diese werden automatisch gespeichert, wodurch die Nebelmaschine abgeschaltet werden kann, ohne dass Einstellungen verloren gehen.

Nach dem Einschalten zeigt das Display kurz »Antari Z-20«. Danach beginnt die Aufheizphase und das Display zeigt »Warming Up«. Während der Aufheizphase kann noch kein Nebel ausgestoßen werden. Nehmen Sie die notwendigen Menüeinstellungen mit dem Tastenfeld auf der Empfängereinheit vor. Sobald die Aufheizphase beendet ist, ist die Nebelmaschine bereit zum Nebelausstoß. Das Display zeigt »Ready to Fog«.

-Tastenbelegung



-Menüeinstellungen mit der Taste FUNCTION

Zeitintervalle für den Timer-Betrieb einstellen

Drücken Sie die Taste FUNCTION, bis auf der Anzeige »Interval Set« [Intervall einstellen] erscheint. Verwenden Sie die Tasten UP und DOWN, um die Zeitintervalle (d.h. die Pausen zwischen den einzelnen Nebelausstößen) für den Timer-Betrieb zwischen 1 und 200 Sekunden einzustellen.

Nebeldauer für den Timer-Betrieb einstellen

Drücken Sie die Taste FUNCTION, bis auf der Anzeige »Duration Set« [Zeitdauer einstellen] erscheint. Verwenden Sie die Tasten UP und DOWN, um die Zeitdauer der Nebelausstöße zwischen 1 und 200 Sekunden einzustellen.

Nebelmenge für den Timer-Betrieb einstellen

Drücken Sie die Taste FUNCTION, bis auf der Anzeige »Timer Out« [Nebelmenge einstellen] erscheint. Verwenden Sie die Tasten UP und DOWN, um einen Wert zwischen 1 % und 100 % für die Nebelmenge im Timer-Betrieb einzustellen.

Nebelmenge für den Dauerbetrieb einstellen

1. Drücken Sie die Taste FUNCTION, bis auf der Anzeige »Volume Out« [Nebelmenge einstellen] erscheint. Verwenden Sie die Tasten UP und DOWN, um einen Wert zwischen 1 % und 100 % für die Nebelmenge im Dauerbetrieb einzustellen.
2. Um die maximale Nebelmenge im Dauerbetrieb ausstoßen zu können, wählen Sie die Einstellung »NON STOP BURST«. Diese lässt sich unter einem Wert von 1 % oder über einem Wert von 100 % anwählen.

HINWEIS: Wird ein Wert für die Nebelmenge im Dauerbetrieb über 30 % eingestellt, unterbricht die Maschine den Nebelausstoß von Zeit zu Zeit, um wieder aufzuheizen. Wird »NON STOP BURST« gewählt, reguliert die Maschine die Nebelmenge und die Heiztemperatur automatisch und muss den Nebelausstoß nicht unterbrechen, um aufzuheizen.

DMX512-Adresse einstellen

Drücken Sie die Taste FUNCTION, bis auf der Anzeige »DMX 512 Add.« [DMX512-Adresse einstellen] erscheint. Verwenden Sie die Tasten UP und DOWN, um die Maschine auf die DMX-Adresse Ihres DMX-Steuergeräts einzustellen. Bitte beachten Sie Kapitel DMX512-Einstellungen für weiterführende Informationen zum DMX-Betrieb.

-Dauerbetrieb

Drücken Sie die Taste VOLUME, um einen dauerhaften Nebelausstoß auszulösen. Auf dem Display erscheint »Volume« gefolgt von dem Wert, der im Menüpunkt »Volume Out« [Nebelvolumen einstellen] eingestellt wurde oder bei Dauernebel »NON STOP BURST«. Um den Nebelausstoß zu stoppen, drücken Sie erneut die Taste VOLUME.

HINWEIS: Ist ein Wert für die Nebelmenge im Dauerbetrieb über 30 % eingestellt, unterbricht die Maschine den Nebelausstoß von Zeit zu Zeit, um wieder aufzuheizen. Ist »NON STOP BURST« gewählt, reguliert die Maschine die Nebelmenge und die Heiztemperatur automatisch und muss den Nebelausstoß nicht unterbrechen, um aufzuheizen.

-Manueller Betrieb

Für sofortigen Nebelausstoß mit maximaler Nebelmenge, halten Sie die Taste MANUAL gedrückt. Auf dem Display erscheint »Manual 100 %«. Sobald Sie die Taste wieder lösen, wird der Nebelausstoß gestoppt. Der manuelle Betrieb hat Vorrang vor dem Dauerbetrieb und dem Timer-Betrieb. Selbst wenn eine dieser Betriebsarten eingestellt ist, stößt die Nebelmaschine immer die maximale Nebelmenge beim Drücken der Taste MANUAL aus.

-Timer-Betrieb

Im Timer-Betrieb stößt das Gerät automatisch Nebel aus. Die Zeitintervalle, die Nebeldauer und das Nebelvolumen richten sich nach den jeweiligen Menüeinstellungen. Drücken Sie die Taste TIMER, um den Timer-Modus zu aktivieren. Auf dem Display erscheint das eingestellte Zeitintervall. Das Gerät zählt rückwärts bis auf 0 Sekunden und löst den Nebelausstoß aus. Zum Ausschalten des Timer-Betriebs drücken Sie erneut die Taste TIMER.

Z-30PRO: Das Funkfernsteuersystem Z-30PRO besteht aus einer Sendeeinheit mit zwei Tasten für den Nebelausstoß und einer Empfängereinheit, die an jedem Modell der Z-30PRO vorinstalliert ist.

*** Sendeeinheit:**



Mit der Sendeeinheit lässt sich der Nebelausstoß per Funkübertragung über eine Distanz von bis zu 50 Metern auslösen. Die Sendeeinheit ist kompatibel zu allen Empfängern der Z-30PRO und kann eine unbegrenzte Anzahl von Maschinen parallel steuern.

Drücken Sie die Taste "A", um den Nebelausstoß auszulösen. Die Taste "A" hat die gleiche Funktion wie die Taste VOLUME am Bedienfeld, d. h. der Nebelausstoß richtet sich nach der Einstellung im Menüpunkt »Volume Out« [Nebelvolumen einstellen]. Auf dem Display erscheint »Volume« gefolgt von dem festgelegten Wert oder bei der maximalen Nebelmenge »NON STOP BURST«. Als zusätzliche Kontrolle, leuchtet die blaue LED. Um den Nebelausstoß zu stoppen, drücken Sie die Taste "B".

*** Empfänger:**



Der Empfänger wird getestet und an den Z-30PRO vorinstalliert. Versuchen Sie nicht, den Empfänger zu entfernen. Der Empfänger kann von bis zu 5 Sendeeinheiten gesteuert werden, die auf die Maschine adressiert sind. Die mitgelieferte Sendeeinheit ist vor der Auslieferung adressiert worden. Sie erfordert keine Konfiguration und kann sofort verwendet werden.

-Sendeeinheiten adressieren

Um eine andere Sendeeinheit als die mitgelieferte zur Steuerung der Maschine zu verwenden oder um die Maschine mit bis zu 5 verschiedenen Sendeeinheiten zu steuern, muss jede Sendeeinheit zuvor adressiert werden. Schalten Sie dazu die Maschine ein. Drücken Sie die Taste "A" 1 Sekunde auf jeder Sendeeinheit, wenn auf der Anzeige »Wireless Setup« erscheint. Dadurch werden alle zuvor adressierten Sendeeinheiten aus dem Speicher des Empfängers gelöscht. Die Adressierung muss innerhalb von 15 Sekunden nach dem Einschalten der Maschine erfolgen. Danach wird der Einstellmodus automatisch beendet. Auf der Anzeige erscheint »Wireless Setup OK« [Funkeinstellungen OK]. Es kann keine weitere Sendeeinheit hinzugefügt werden.

Wird keine neue Sendeeinheit nach dem Einschalten der Maschine adressiert, bleibt die Einstellung aus dem vorhergehenden Betrieb im Empfänger erhalten.

Adressierungsbeispiel 1:

Sollen mehrere Sendeeinheiten auf eine Maschine adressiert werden, schalten Sie die Maschine ein. Drücken Sie die Taste "A" 1 Sekunde an jeder Sendeeinheit, wenn auf der Anzeige »Wireless Setup« erscheint, um die Steuerverbindung herzustellen (innerhalb von 15 Sekunden).

Adressierungsbeispiel 2:

Soll eine Sendeeinheit zur Steuerung von zwei oder mehr Maschinen verwendet werden, müssen die Maschinen beziehungsweise eingeschaltet werden. Drücken Sie die Taste "A" 1 Sekunde auf der Sendeeinheit, wenn auf der Anzeige »Wireless Setup« erscheint, um die Steuerverbindung herzustellen.

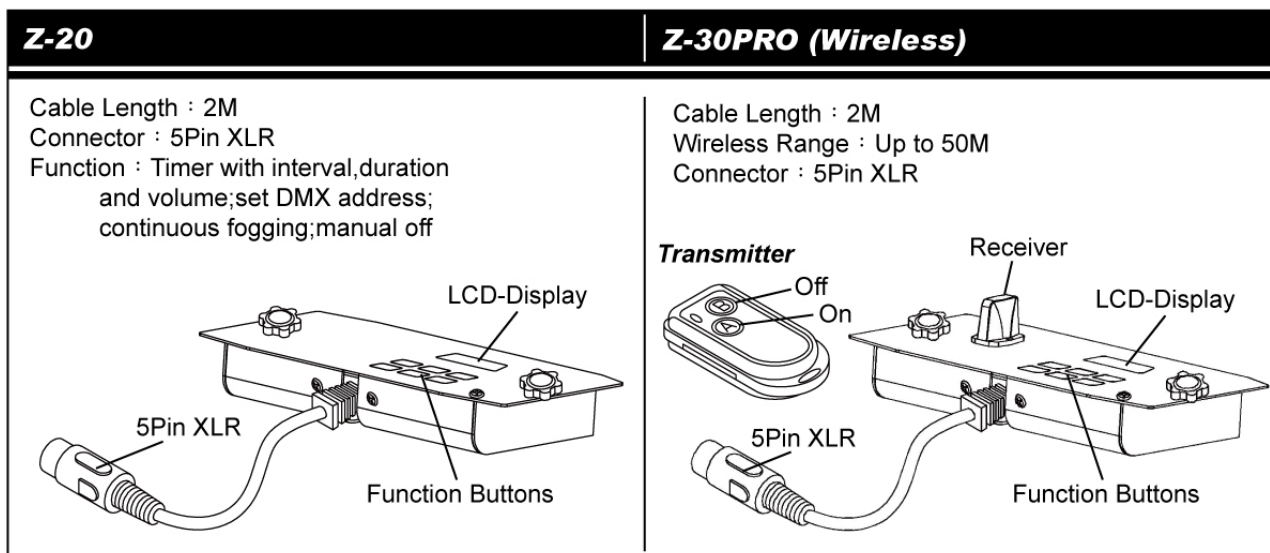
-Batteriewechsel an der Sendeeinheit

Lässt die Reichweite der Sendeeinheit nach, ist wahrscheinlich die Batterie verbraucht und muss ausgewechselt werden. Lösen Sie dazu die Gehäuseabdeckung und entfernen Sie die verbrauchte Batterie. Legen Sie eine frische DC 12V Batterie wie im Batteriefach angegeben ein und bringen Sie die Gehäuseabdeckung wieder an.

Funkfunktion an- und ausschalten

Drücken Sie die Taste FUNCTION, bis auf der Anzeige »Wireless On« [Funkfunktion An] erscheint. Verwenden Sie die Tasten UP und DOWN, um die Funkfunktion zu deaktivieren [Anzeige »Wireless Off«] und wieder zu aktivieren [Anzeige »Wireless On«].

HINWEIS: Zusätzlich wird ein »W« für Wireless [Funk] angezeigt, wenn dieser Funktion aktiviert ist.



Hinweise zur Leistung

- Alle Nebelgeräte bilden um die Austrittsdüse Kondenswasser. Beachten Sie bitte bei der Installation, dass dies zu Flüssigkeitsansammlungen unterhalb der Austrittsdüse führen kann.
- Alle Nebelgeräte können während des Betriebes oder bis ca. 1 Minute nachdem das Gerät außer Betrieb genommen wurde, gelegentlich etwas Nebel ausstoßen.

- Alle Nebelgeräte benötigen nach längerem Dauerbetrieb Betriebspausen, um wieder auf die korrekte Betriebstemperatur zu kommen. Während diesen Pausen ist kein Nebelausstoß möglich.

Reinigung und Wartung

Reinigen Sie die Maschine regelmäßig, um Ersatzteile und hohe Reparaturkosten zu vermeiden.

Nach 2.000 Betriebsstunden wird empfohlen, das Heizelement mit destilliertem Wasser zu reinigen. Bitte gehen Sie wie folgt vor:

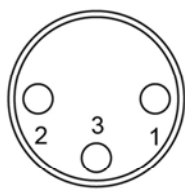
1. Füllen Sie destilliertes Wasser in den sauberen Tank und stecken Sie den Flüssigkeitsschlauch in den Tank.
2. Betreiben Sie das Gerät in gut belüfteten Räumen, bis der Tank leer ist.
3. Reinigen Sie die Maschine mit einem trockenen Tuch.

Reinigen Sie die Maschine vor jeder Lagerung. Lagern Sie die Maschine kühl und trocken. Betreiben Sie die Maschine mindestens einmal im Monat.

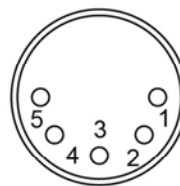
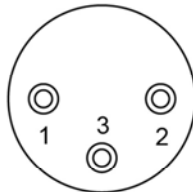
Bitte bewahren Sie diese Anleitung gut auf.

Belegung der DMX-Anschlüsse

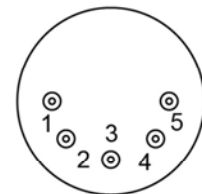
Die Maschine verfügt über 3-polige und 5-polige XLR-Anschlüsse für den Anschluss an einen DMX-Controller. Die nachfolgende Grafik zeigt die Belegung der Buchsen.



3 Pin XLR

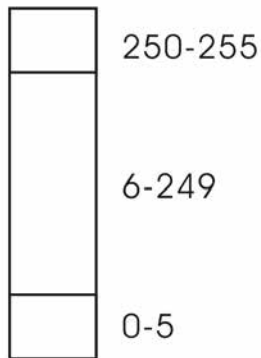


5 Pin XLR



Kontakt	Funktion
1	Masse
2	Signal-
3	Signal+

Antari Z-1200II, Z-1500II, Z-3000II DMX-Einstellungen



0 - 5 = Aus

6 – 249 = Ausstoßregulierung (5% - 95%)

250 – 255 = Maximaler Nebelausstoß (100%)

Die Nebelgeräte Z-1200II, Z-1500II, Z-3000II verfügen über DMX-Ansteuerung. Sie lassen sich über einen DMX-Kanal im Ausstoß regulieren. Jeder Kanal bewegt sich innerhalb der DMX-Werte 0 bis 255. Timer-Funktionen wie Nebeldauer und Intervall können über den DMX-Controller oder die DMX-Software über das Lichteffektfenster programmiert werden.

Zwischen den Werten 0 und 5 von Steuerkanal A ist das Gerät aus.

Zwischen den Werten 6 bis 249 wird der Nebelausstoß reguliert. Dabei bezieht sich der Wert 6 auf den minimalen Nebelausstoß und 249 auf den maximalen Nebelausstoß. Der Nebelausstoß steigt mit zunehmendem DMX-Wert.

Zwischen den Werten 250 und 255 läuft das Gerät bei maximalem Nebelausstoß.

Bitte beachten Sie, dass wenn das Gerät in dem o.g. Beispiel auf die DMX-Startadresse 124 kodiert würde, Kanal A genau dieser DMX-Startadresse entspricht.

Im Allgemeinen verfügen DMX-gesteuerte Antari Nebelgeräte über folgende Leistungsdaten:

1. Durchschnittliche Betriebstemperatur = 250°C
2. Intervalldauer bei maximalem Nebelausstoß ca. 30 Sekunden
3. Konstanter Nebelausstoß bei ca. 25% Nebelausstoß
(dies entspricht einem DMX-Wert zwischen 70 und 75).

Adressierung des Geräts (Z-1200II)

Jeder Gerät belegt 1 Steuerkanal. Damit die Steuersignale richtig an jedes Gerät adressiert werden, müssen die Geräte kodiert werden. Die Kodierung muss an jedem Gerät einzeln durchgeführt werden, indem Sie die DIP-Schalter entsprechend untenstehender Tabelle einstellen.

Die Startadresse ist der erste Kanal, auf den ein Gerät auf Signale vom Controller reagiert.

Bitte vergewissern Sie sich, dass sich die Steuerkanäle nicht mit anderen Geräten überlappen, damit das Gerät korrekt und unabhängig von anderen Geräten in der DMX-Verbindung funktioniert. Werden mehrere Geräte auf eine Adresse definiert, arbeiten sie synchron.

Belegung der DIP-Schalter:

Einstellen der DMX-Startadresse:	DIP-Schalter Nr.	1	2	3	4	5	6	7	8	9
Gerätenummer & Kanäle	Startadresse	1	2	4	8	16	32	64	128	256
Gerät 1 - Kanal 1	On	▲								
	Off		▽	▽	▽	▽	▽	▽	▽	▽
Gerät 2 - Kanal 2	On		▲							
	Off	▽		▽	▽	▽	▽	▽	▽	▽
Gerät 3 - Kanal 3	On	▲	▲							
	Off			▽	▽	▽	▽	▽	▽	▽
Gerät 4 - Kanal 4	On			▲						
	Off	▽	▽		▽	▽	▽	▽	▽	▽
Gerät 5 - Kanal 5	On	▲		▲						
	Off		▽		▽	▽	▽	▽	▽	▽



使用手冊

Antari Z-1200II, Z-1500II & Z-3000II 煙霧機

恭喜您成為 Antari Z 系列第二代 專業煙霧機的使用者。

感謝您選用 **Antari** 煙霧機產品，現在您已經擁有高科技的專業煙霧機，在開始使用之前，我們建議您先仔細閱讀本說明書，遵循使用手冊中的說明，這會有助於您在使用 **Antari** 煙霧機時得心應手，達到最滿意的煙霧效果，對於機器的使用壽命也更為延長。

特別注意:

請在連結電源之前, 先填裝好煙霧油, 機器使用完畢及搬運前, 請先確認清空煙霧油桶。

避免觸電的安全使用方式:

- 請保持機器乾燥，僅於室內使用，本產品非為室外使用所設計。
- 使用前請小心判定電壓級數，伏特及機型，並應配合三向接地型插座使用。
- 填充煙霧油至油桶前，請先拔掉插頭。
- 請保持機器橫放，勿傾斜放置。
- 不使用時請關機, 長時間不使用時請拔掉插頭。
- 本產品之設計為不防水，遇潮濕或浸水或煙霧油滲出時請即刻拔掉插頭並擦乾。
- 本包裝中未附服務零件，敬請聯繫 **Antari** 代理商，或洽詢合格技術人員。

避免燃燒的安全使用方式:

- 機器內部並無一般使用者可變動之結構，請勿任意打開上蓋及作任何更改的動作，否則可能造成起火的危險！

- 機器僅限成人使用，安裝煙霧機之地點應避免兒童可處及之出，敬請於外出離去時關閉電源。
- 請勿將機器噴嘴對著人體及動物直射。
- 煙霧機所產生的煙霧溫度較高，機器運作時，請遠離噴嘴 50CM 以上。
- 請將煙霧機放置於通風良好的地方，請勿遮蓋機器散熱部分，為確保適度通風，機器的上方及周圍請預留 20CM 空間。
- 請勿將機器噴嘴對準火焰。
- 當機器運作時，噴嘴輸出部分之溫度高達攝氏 200 度，請將任何物品放置離機器 50CM 之外。
- 清潔、從事維護及收納機器時，請先確認機器已經完全冷卻。

避免爆炸的安全使用方式:

- 請勿將任何可燃性液體(例如油脂, 瓦斯, 香水)，放置於煙霧油槽中，並請使用前詳細閱讀說明書。
- 請使用代理商所推薦的 **Antari** 高品質水性煙霧油，任意使用其他煙霧油產品，可能導致堵管現象甚至造成內部零件腐蝕。
- 請確認煙霧油槽中有足夠的煙霧油，以免造成煙霧機幫浦空轉過熱。
- 請記得在運送或郵寄本產品前，確定完全傾倒出所有在油桶中的煙霧油。
- 煙霧油不能飲用，誤飲時，如有任何不適請立即就醫，若不甚接觸眼睛，請即刻以水清洗。

建議：在使用本機之前，詳細的閱讀一次印刷在機器上蓋板及後背板的警語標示。

拆除包裝及檢視機器

請打開包裝確認機器運作的所有設備齊全，請參考配置圖，確認您所購買的機型應包括之項目，倘若有缺少任何項目，請即刻聯絡 **Antari** 經銷商。機器出廠時應包含以下物件：

1. Z-II 系列機器 一部
2. 電源線一條

3. 吊架及螺絲包 (Z-1200II 機種附有)
4. 白色膠環(Z-1200II 機種附有)在維修或保養電熱管時更換使用
5. Z- 8 多功能控制器附含連結線一附(Z-1200II 機種附有)
6. Z-20 多功能控制器附含連結線一附 (Z-1500II & Z-3000II 機種附有)
7. 使用說明書一份

在開始安裝機器之前，請先確認本產品未因運送過程造成外部的損壞，若機器外殼、控制器或電源線有任何損壞，請勿插上插頭，並請勿使用，馬上與 **Antari** 代理商或經銷商聯繫。

機器的安裝

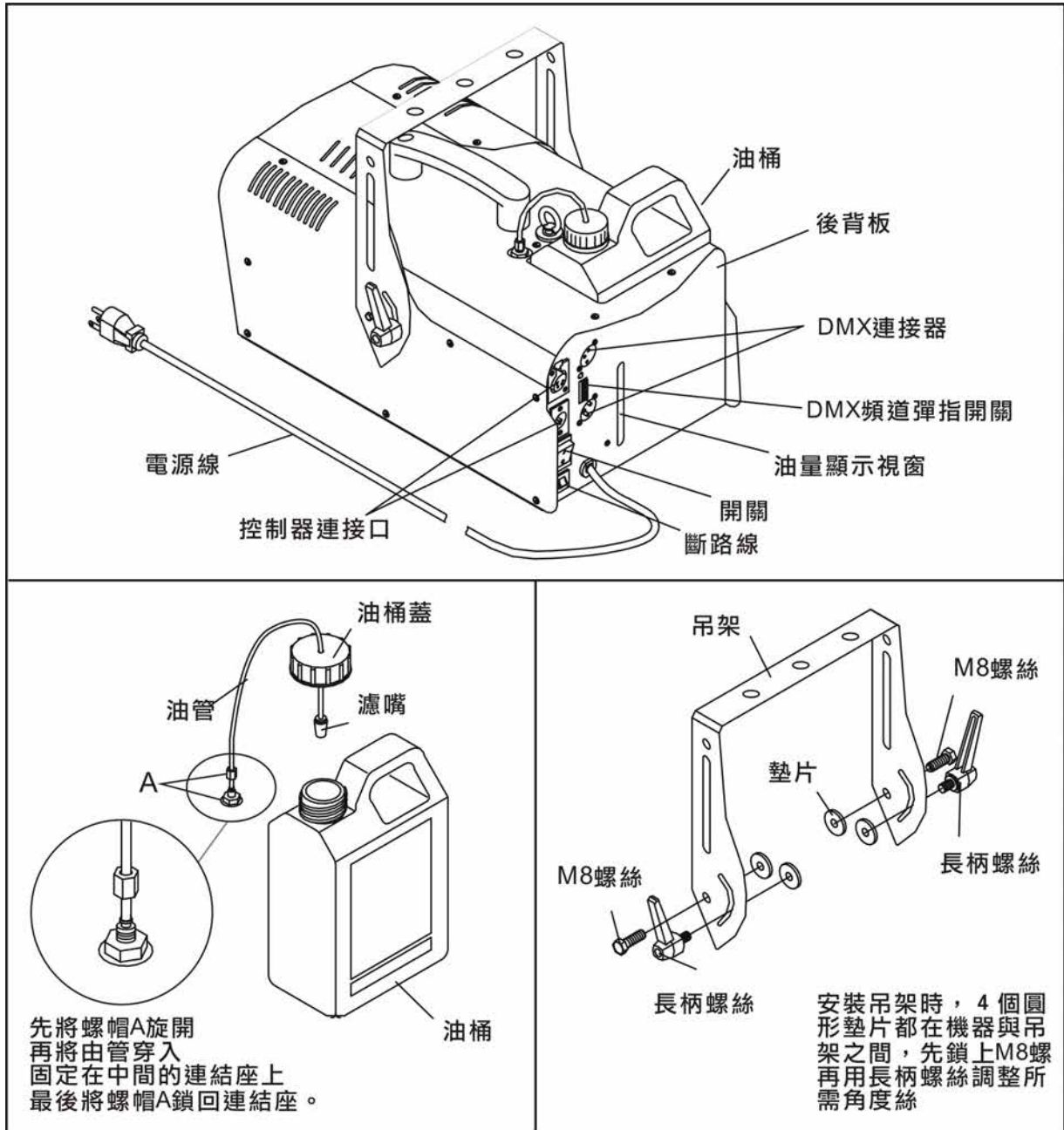
1. 拆開包裝，小心的移除所有的 PE 墊片，特別是機器噴嘴的部分。
2. 將煙霧機平放，安裝吊架 (依以下圖示)
3. 將煙霧油管與機器連結 (依以下圖示)
4. 取下煙霧油容器的蓋子，注入 **Antari FLR** 或 **FLG** 煙霧油至八分滿，並仔細蓋上油蓋。
5. 在機器後方堅固的將 Z- 8 或 Z-20 控制器線插入正確的位置，並確定連結。

Z-1200II 機器規格說明

- 電壓	美規 : AC100-120V, 50 / 60Hz 10.5A 歐規 : AC 220-240V, 50 / 60Hz 5.5A
- 額定功率	1200 瓦
- 加熱時間	(約) 13 分鐘
- 耗油量	72 毫升/分鐘
- 油桶容量	2.5 公升(0.66 加侖)
- 適用煙霧水	Antari FLG 濃煙霧水(淡綠色) Antari FLR 淡煙霧水(淡紅色)
- 適用環溫	0 °C - 40 °C (32 °F-104 °F)
- 輸出量	18,000 ft ³ /min (510 m ³ /min)
- 控制方式	DMX512, 手動控制, 定時控制 無線控制 (選配)
- DMX512 頻道	占用 1 頻道
- 連接座	XLR 3-pin (DMX)
- 選擇性配件	Z-9 無線控制器

- 尺寸 長 458 寬 243 高 251 mm
(長 18.03 寬 9.57 高 9.88 inch)
- 重量 10.9 公斤 (24.03 lbs)

Z-1200II 機器外觀說明



Z-1200II 機器操作

- 將電源線插在有接地的插座上，再將機後方之電源開關打開至 " ON " ， 溫機直至 Z-8 控制器上顯示綠色燈持續亮 (噴煙準備就緒) 為止。
- 設定 Z- 8 遙控器上適當的按鍵以調整需要的噴煙時間、煙量大小及噴煙間距。

- 更進一步的 Z-1200II 煙霧機操作資訊，請參考 Z- 8 控制器操作說明。
- Z-1200II 機型含有吊架，可方便安裝或吊掛使用，但倘若您將煙霧機裝吊掛使用，請加上鋼索穿過馬達安全吊環，並請特別注意勿讓煙霧直接噴在任何人的臉上，無論採取何種安裝方式，請勿傾斜超過 25 度。

其他重要注意事項:

請隨時注意煙霧油桶的油量以確保煙霧油桶在機器運轉時有足夠的煙霧油。

若機器運轉時已無任何煙霧油，仍強制啟動機器運轉可能會造成機器永久損壞。

倘若發生煙霧量過少、機器運轉時產生噪音或無法順暢噴煙的動作，請立即拔掉插頭，檢查是否有足夠的煙霧油、外部保險絲、控制器連結、電源等處，若以上皆無問題，再插上插頭，若持續無法正常運作，請檢查連結煙霧油桶的管子是否通暢，有無液體流通，若無法辨識原因，請勿繼續讓機器運轉，以免損壞機器，應即關機冷卻，並將機器送至 **Antari** 代理商或指定的服務處檢視，請勿自行拆卸。

控制器:

Z- 8 定時定量控制器: 適用機種為 Z-1200II 的 **Antari** 煙霧機。使用時，請先將 25 英尺的有線控制器末端的 4 Pin 插頭連接至煙霧機，並檢視控制器。

在控制器上有三個旋轉鈕及紅、黃、綠三個按鈕，便於操作者來設定調節持續噴煙的時間、間隔及輸出量大小的功能：

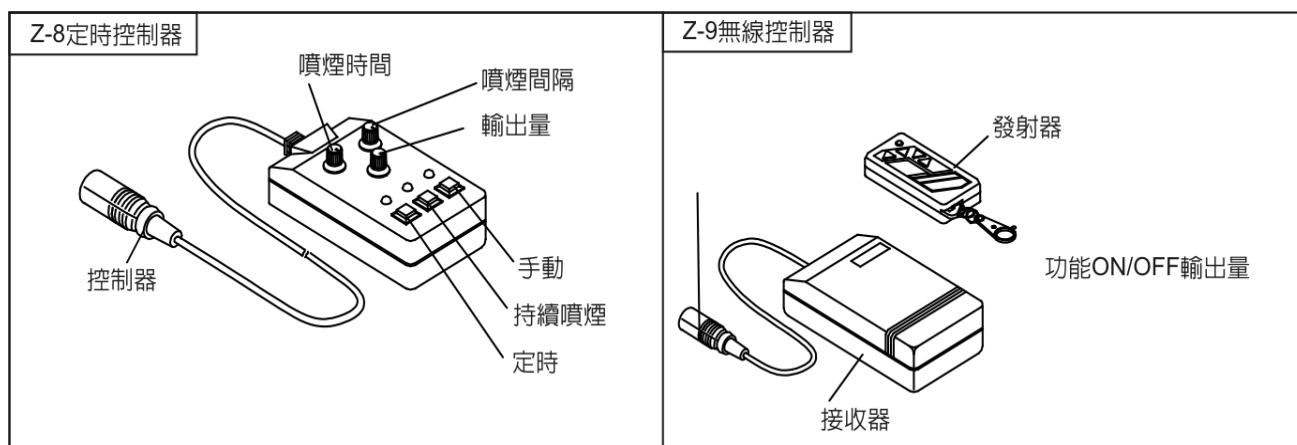
先以黃色的定時按鈕 **TIMER** 來啟動每次噴煙的設定功能

1. 以間隔時間旋鈕 **INTERVAL** 來調整每次噴煙間隔 (範圍在 10 秒 ~ 250 秒之間)。
2. 以持續噴煙旋鈕 **DURATION** 調節持續噴煙時間 (範圍在 1 秒 ~ 15 秒之間)。
3. 以煙霧輸出量旋鈕 **VOLUME** 來調整煙霧輸出的大小 (範圍在 10% ~ 100%)。

紅色持續噴煙按鈕 **Continuous Fogging** 用來設定只需要持續噴煙的情況，並可配合 **VOLUME** 的旋鈕來控制持續輸出量大小。

綠色強制噴煙按鈕 **Manual On/Off**，會優先於先前的設定，不論之前的設定程式，在您需要的情況，使機器瞬間達到 100% 的輸出量。

Z-9 無線控制器: 適用 Antari Z-1200II 型煙霧機，具 4 PIN 插頭的無線遙控器，遙控距離 50M。



Z-1500II & Z-3000II 機器操作

- 將電源線插在有接地的插座上，再將機後方之電源開關打開至“ON”，溫機直至控制器上顯示螢幕正確的顯示“Ready to Fog”（噴煙準備就緒）為止。
- 設定 Z-20 遙控器上適當的按鍵以調整需要的噴煙時間、煙量大小及噴煙間距。
- 控制器上的顯示螢幕會依機器運轉溫度循環顯示“Warming up”（加溫準備）以及“Ready to Fog”（準備就緒）。
- 更進一步的 Z-1500II 及 Z-3000II 煙霧機操作資訊，請參考 Z-20 控制器操作說明。
- Z-1500II 及 Z-3000II 機型屬於高功率的大瓦數煙霧機，操作時適宜平穩放置，如因特殊需要而傾斜時，請加以完全的固定方式，傾斜的角度以不超過 15 度為宜。

其他重要注意事項:

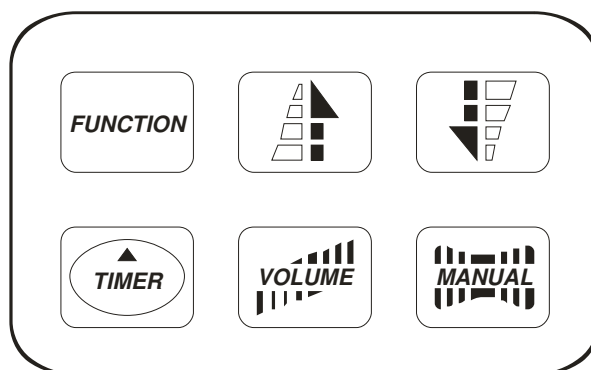
請隨時注意煙霧油桶的油量以確保煙霧油桶在機器運轉時有足夠的煙霧油。

若機器運轉時已無任何煙霧油，仍強制啟動機器運轉可能會造成機器永久損壞。

倘若發生煙霧量過少、機器運轉時產生噪音或無法順暢噴煙的動作，請立即拔掉插頭，檢查是否有足夠的煙霧油、外部保險絲、控制器連結、電源等處，若以上皆無問題，再插上插頭，若持續無法正常運作，請檢查連結煙霧油桶的管子是否通暢，有無液體流通，若無法辨識原因，請勿繼續讓機器運轉，以免損壞機器，應即關機冷卻，並將機器送至 Antari 代理商或指定的服務處檢視，請勿自行拆卸。

Z- 20 液晶螢幕控制器:

控制面板操作說明



Antari Z-20 的控制器上共有 6 個按鍵，分別是 **FUNCTION**、**Up**、**Down**、**Timer**、**Volume** 和 **Manual**。使用者可以隨著喜好而設定以下功能：

當機器預熱完成時，LCD 螢幕會顯示「Ready To Fog」

1. 當 LCD 螢幕顯示「Ready To Fog」時，按 **FUNCTION** 鍵一下，LCD 螢幕會顯示「INTERVAL SET」（間隔噴煙），在此模式之下，使用者可以透過 **Up** (上)與 **Down** (下)來設定噴煙的時間間隔（範圍是 1 到 200 秒）。
2. 當 LCD 螢幕顯示「Ready To Fog」時，按 **FUNCTION** 鍵兩下，LCD 螢幕會顯示「DURATION SET」（連續噴煙）在此模式之下，使用者可以透過 **Up** (上)與 **Down** (下)來設定連續噴煙的時間。（定時器模式下可以設定 1 到 200 秒）。
3. 當 LCD 螢幕顯示「Ready To Fog」時，按 **FUNCTION** 鍵三下，LCD 螢幕會顯示「TIMER OUT」，在此模式之下，使用者可以在定時的模式下，透過 **Up** (上)與 **Down** (下)來調整煙霧輸出量（範圍是 1%到 100%）。當 LCD 螢幕顯示「Ready To Fog」時按下 **Time** 這個鈕則能啟動定時模式，而在機器運作時再按一次 **Time** 則能解除定時模式。

附註：此功能在 1%與 100%煙霧量之間，有一個“ Non-Stop Burst” 無間斷的連續噴煙功能，選擇此功能可使機器連續噴煙。

4. 當 LCD 螢幕顯示「Ready To Fog」時，按 **FUNCTION** 鍵四下，LCD 螢幕會顯示「VOLUME OUT」。在此模式之下，使用者可以在煙量模式下，透過 **Up** (上)與 **Down** (下)來調整煙霧輸出量（範圍是 1%到 100%）當 LCD 螢幕顯示「Ready To Fog」時按下 **Volume** 這個鈕則能啟動煙量模式，而在機器運作時再按一次 **Volume** 則能解除煙量模式。

附註：此功能在 1%與 100%煙霧量之間，有一個“ Non-Stop Burst” 無間斷的連續噴煙功能，選擇此功能可使機器連續噴煙。

5. 當 LCD 液晶螢幕顯示「Ready To Fog」時，按 **FUNCTION** 鍵五下，此時 LCD 液晶螢幕會顯示「DMX512 Add.1」此時，可利用 **Up** (上) 或 **Down** (下) 鍵，設定機器的 DMX 位址。
6. 當 LCD 液晶螢幕顯示「Ready To Fog」時，按住 **Manual** 鍵不放，可以讓煙霧以 100% 煙霧量輸出，一旦放開 **Manual** 鍵煙霧即可馬上停止。

Z-30PRO 無線控制器使用說明

* 發射器:

- 發射器: 使用 DC 12V 電池
- 接收距離: 50 公尺的開放空間 (無障礙物)
- 發射器都可與任一組接收器搭配使用。



接收器:

- 接收器在經過測試之後會固定在每組 Z-30PRO 上，請勿嘗試將它拔除。



* 設定功能：

1. 所有的接收器都能接收任何已完成對頻的發射器。
2. 每個接收器都能記憶五組發射器的訊號。
3. 每個發射器在出廠前都已經完成設定，使用者可以不用重新設定即可使用。最初的設定為按 **A** 按鈕可以啟動機器，按 **B** 按鈕則可以停止機器運作。

4. 若使用者希望透過其他發射器來控制機器（除了原來配備的發射器之外），需要在機器開啓的 15 秒內完成設定，否則機器會在 15 秒之後自動離開設定模式。

設定範例 (1)：

若使用者希望設定三組發射器對一台機器，當機器啓動且 LCD 螢幕顯示「Wireless Setup」（無線設定），請在 15 秒內分別按下這三組發射器的 A 鈕，即可完成設定配對。

請注意若 LCD 螢幕顯示「Wireless Setup OK」時，則表示 15 秒的時間已到，機器已離開無線設定的模式，之後將無法再新增配對任何控制器。

設定範例 (2)：

若使用者想用一個發射器配對兩台、或多台機器使用，可將希望控制的機器個別打開電源，當 LCD 螢幕顯示「Wireless Setup」（無線設定）時，在 15 秒之內按下控制器的 A 鈕來完成設定配對。

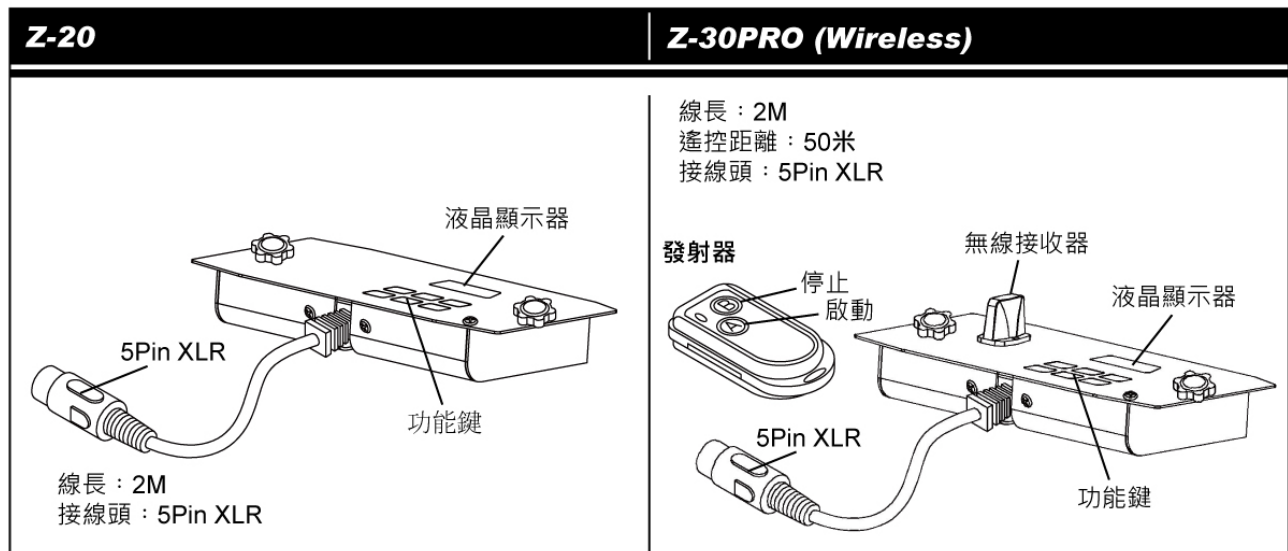
5. 機器具有記憶功能，若在機器啓動也完成設定之後，沒有再設定其他組控制器時，機器可自動記憶最後設定的控制器組，在機器下次使用開機時，請勿按壓任何控制器的按鈕，經過 15 秒的設定時間之後，即可以上次所記憶的控制器組來控制機器。

6. 請注意當有新的發射器要與機器對頻時，無論先前有幾組完成設定的控制器都會被洗掉。

註 1: 若希望關閉或重啟無線控制功能,可將 LCD 液晶螢幕選擇至「Wireless On-Off」此頁面,然後利用 Up(上)或 Down(下)鍵來關閉或重啟無線控制功能。

當煙霧機加熱完成,處於待機狀態時,無線功能的狀態在 LCD 液晶螢幕表示如下:
無線功能開啟時,LCD 液晶螢幕會顯示「Ready To Fog W」(W 意指 Wireless)
而當無線功能關閉時,LCD 液晶螢幕則只顯示「Ready To Fog」。

註 2: 當無線控制距離變短時,有可能是電池沒電了,此時,請將發射器外殼打開,更換一個全新的 DC 12V 電池,換好後,再將外殼鎖回。



Z-1500II & Z-3000II 機器規格說明

	Z-1500II 煙霧機	Z-3000II 煙霧機
- 電壓	美規 : AC100-120V, 50/60Hz 12.5A 歐規 : AC 220-240V, 50/60Hz 6.3A	歐規 : AC 220-240V, 50/60Hz 11A
- 額定功率	1450 瓦	2500 瓦
- 加熱時間	(約) 10 分鐘	(約) 12 分鐘
- 耗油量	110 毫升/分鐘	200 毫升/分鐘
- 油桶容量	6 公升(1.59 加侖)	6 公升(1.59 加侖)
- 適用煙霧水	Antari FLG 濃煙霧水(淡綠色) Antari FLR 淡煙霧水(淡紅色)	Antari FLG 濃煙霧水(淡綠色) Antari FLR 淡煙霧水(淡紅色)
- 適用環溫	0°C - 40 °C (32 °F-104 °F)	0°C - 40 °C (32 °F-104 °F)
- 輸出量	20,000 ft ³ /min (566 m ³ /min)	40,000 ft ³ /min (1133 m ³ /min)
- 控制方式	DMX512, 手動控制, 定時控制 無線控制 (選配)	DMX512, 手動控制, 定時控制 無線控制 (選配)
- DMX512 頻道	占用 1 頻道	占用 1 頻道
- 連接座	XLR 3-pin 及 5-pin (DMX)	XLR 3-pin 及 5-pin (DMX)
- 選擇性配件	Z-30 PRO 無線控制器	Z-30 PRO 無線控制器
- 尺寸	長 688 寬 285 高 257 mm (長 27.09 寬 11.22 高 10.12 inch)	長 735 寬 310 高 269 mm (長 28.94 寬 12.20 高 10.59 inch)
- 重量	14 公斤 (30.86 lbs)	19.9 公斤 (43.87 lbs)

其他注意事項:

煙霧機在使用一段時間後，噴嘴附近會有一些灰色沉澱物質，是因為液體經過熱交換而產生的自然現象，只要將它擦乾淨即可，如果發現噴嘴附近有黑色濃稠的沉澱物時，請檢視所用的煙霧油，是否為成分不良品，並請停止使用，以維護機器使用壽命。

所有的煙霧機可能因為使用不同煙霧油之濃度及長期加熱高溫蒸發造成阻塞，使用好品質的煙霧油，定期的清潔保養，可使機器保持良好運轉。擦拭機器時請使用乾布，機器不用時需放置於陰涼、通風處。

維護保養您的煙霧機

請定期的清潔您的煙霧機，將可有效的協助您降低零件更換率或維修的費用。

請勿污染煙霧油，隨時蓋上油桶的瓶蓋，及煙霧機上所裝置煙霧油桶的蓋子。開機運轉每 2,000 小時後，可以用蒸餾水清潔保養電熱管，可以避免因長時間加熱而累積在電熱管中的沉澱物質而造成堵管，建議方法如下：

1. 拔掉機器插頭，冷機後鬆開機器前方之噴嘴，以棉花棒沾蒸餾水清理。

2. 倒出機器中的煙霧水，在油桶中加入蒸餾水，打開電源。
3. 在通風良好處，讓機器運轉，直至油桶中蒸餾水噴完後再安裝上噴嘴。
4. 清潔完畢用乾布完全擦拭乾淨機器後再注入煙霧油。

在機器不使用需收起來之前請先清潔機器並確定將油桶清空，並拆下控制器與電源線收好，整套機器與配件請存放於乾燥陰涼處，每月固定溫機一次，可保護機器較不受潮。

DMX 連接 PIN 的接點說明

Z-1500II 及 Z-3000II 提供 3 Pin 或 5 Pin XLR 的 DMX 連接。下方為 Pin 的接點說明：



Pin	功能
1	接地
2	數據-
3	數據+

Antari Z-1200II, Z-1500II & Z-1500II 內鍵式 DMX 設定說明

頻道說明 A

250-255	
6-249	0 - 5 = Off / 關
	6 - 249 = Volume Control 輸出量 (5% - 95%)
0-5	250 - 255 = Maximum Volume Output 最大噴煙輸出量 (100%)

Z -1200II, Z-1500II & Z-3000II 的機型 已經內鍵有 DMX 的功能，這三種機型都只使用一個控制頻道，每一個頻道的輸出量數值在 0~255 之間。連結 DMX 控制台後，有關於動

作的時間、噴煙量的大小及噴煙量的間距都由 DMX 控制台控制，使用相同的系統您可以輕易的連結煙霧機、燈光、其他的特效機器做全系統的演出。

如果頻道 A 的設定數值在 0 ~ 5 之間，這台機器將無法有足夠的輸出量運作。

煙霧輸出量的設定數值在 6 到 249 之間，機器能啟動的最小的輸出量從 6% 開始，在達到 249 時，煙霧輸出量會提升到接近最大 95%，隨著 DMX 值的升高煙霧輸出量也會隨之增強。

當頻道 A 的數值從 250 到 255 時，煙霧機將運轉輸出最大的 100% 輸出量。

附注: 從以上的說明舉例：如果煙霧機器被分派到第 124 的 DMX 位址，頻道 A 的功能運作將完全符合 DMX 第 124 頻道的控制要求。

整體而言，Antari 的內鍵 DMX 功能的煙霧機，都能配合所有專業演出的控制要求。

1. 煙霧機內部的平均運作溫度是攝氏 250 度。
2. Z-1200II 可以在最大 100%輸出量時維持持續噴煙動作約 50 秒。
3. Z-1500II 可以在最大 100%輸出量時維持持續噴煙動作 40 秒，Z-3000II 可以在最大 100% 輸出量時達到持續噴煙動作 55 秒。
4. 希望 Z-1500II 和 Z-3000II 煙霧維持一直的持續噴煙動作，只需切換至 Volume 功能，點選持續 "Non-Stop Burst" 輸出功能。

請妥善保存此操作手冊



“The Perfect Balance of Light and Fog”



*Note: It is highly recommended to use ANTARI fog liquid for best fog effect.

****Warranty**

Warranty shall be valid only if the product is purchased from Antari’s authorized distributors or dealers. For warranty service, send the product only to an authorized distributor or dealer.

All warranties are void if the product has been modified in any manner; if the product has been repaired or serviced by unauthorized personnel; or the product is damaged due to improper use or maintenance as set forth in the instruction manual.

This is not a service contract and does not include standard maintenance or cleaning. All expendables are not covered by this warranty.

The distributor reserves the right to change design and specifications without obligation to include these changes in previously manufactured products.

Additional warranties provided at the discretion of the distributor dealers shall remain the sole obligation of the distributor or dealer.



For current product information visit Antari at: www.antari.com
For information requests please contact us at: sales@antari.com



C08Z007P4

www.antari.com