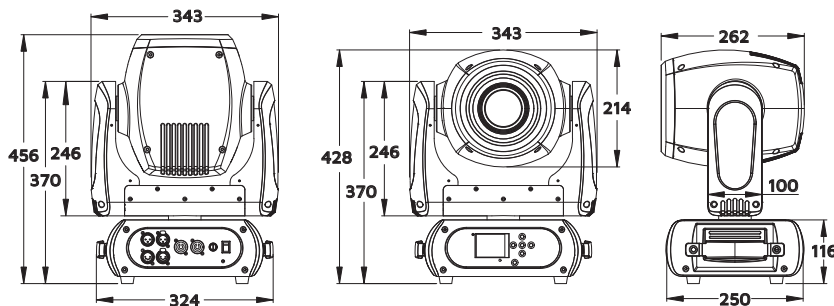


M1S190W

190 W LED SPOT MOVING HEAD

The **M1S190W** is a feature packed mover with two gobo wheels, an iris, frost, 3/8 facet prism wheels and 3- and 5-pin DMX on board, in a compact 14kg fixture.



Lux	2.5m	5.0m	7.5m	10.0m
@ 12°	Ø0.53	Ø1.05	Ø1.58	Ø2.10
	35,420	8,960	4,046	2,296



Photometrics

Light Source	190 W White LED, 14,910 K
Beam Angle	12°
Output	15,400 lumen, 35,420 lux @ 3 m @ 7.5°
PWM	1,200 Hz
LED Lifespan	60,000 hours
Colour Wheel	8 colours + open
Fixed Gobo	7 + open
Rotating Gobo	7 + open, interchangeable (outside ø27 mm, inside ø22 mm)

Effects

Dimming	0~100%
Strobe	0.5~26 Hz
Focus	Motorised
Prism	3/8-facet
Frost	Yes
Iris	Yes

Movement

Pan	8/16-bit auto reposition
Tilt	630° (3.2s)/540° (2.9s)
	233° (1.9s)

Power

Input Voltage	100~240 V AC, 50/60 Hz, 270 W
Connection	Neutrik® powerCON in/out

Control

Operation Modes	DMX, auto, sound active, master/slave
Control Protocol	DMX512, RDM, (optional: W-DMX™)
DMX Channels	14/16/23/25
Control Interface	3-pin XLR (optional: 5-pin XLR)
Display	2.4" colour LCD control panel with battery power
Software	Upgradable via DMX

Housing

Housing Materials	ABS and steel, matte black finish
Cooling	Multi-sensor thermostat controlled variable speed fan

IP Rating

IP20

Net Weight

14 kg

Rigging

2x omega brackets with ¼ turn quick locks

Accessories

Optional Road Case: MCASE2LS

Prism



Colour wheel



Fixed gobo wheel



Rotating gobo wheel

