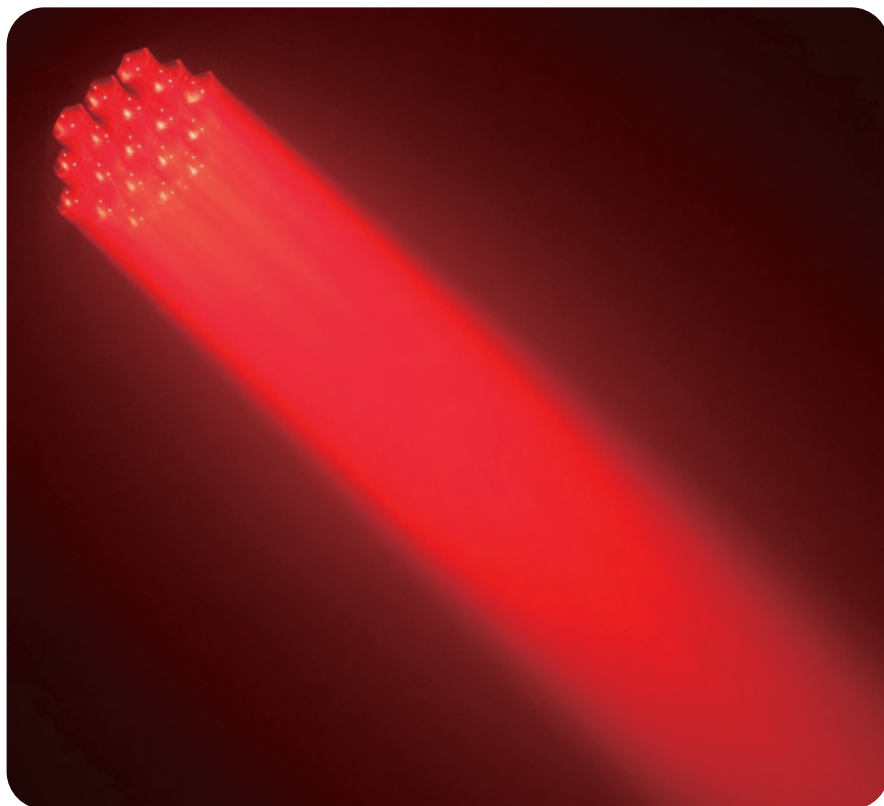
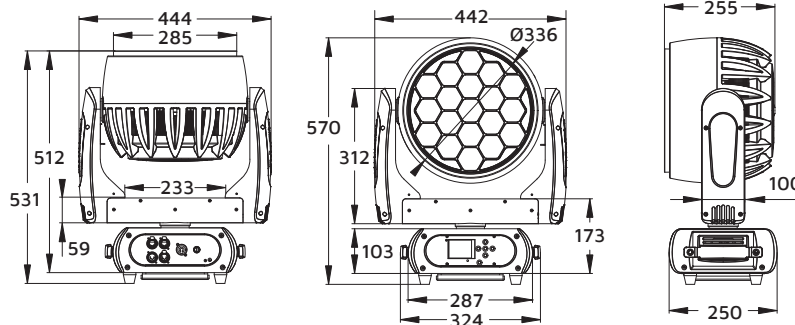


M19W40RGBW

19x 40 W RGBW WASH ZOOM MOVING HEAD WITH PIXEL CONTROL

The **M19W40RGBW** uses 19x 40W RGBW 4-in-1 LEDs and features motorised zoom from 4-36°, pixel control, RDM, optional wireless DMX upgrade and 5 pin XLR in/out plus ethernet.



Lux @ 4°				
	3.0m	5.0m	7.5m	10.0m
	Ø0.21	Ø0.35	Ø0.52	Ø0.70
R	14,600	6,300	2,480	1,380
G	35,100	15,500	6,519	3,621
B	8,410	3,560	1,180	670
W	43,200	19,000	8,196	4,603
Full	90,400	40,100	16,760	9,300

Lux @ 36°				
	3.0m	5.0m	7.5m	10.0m
	Ø1.95	3.25	4.87	6.50
R	995	375	160	95
G	2,230	858	386	230
B	551	215	75	47
W	2,640	1,030	458	273
Full	5,740	2,200	950	575



Photometrics

Light Source	19x Osram® 40 W RGBW 4-in-1 LEDs
Beam Angle	4°~36°
Output	13,000 lumen, 99,934 lux @ 3 m @ 4°
	5,740 lux @ 3 m @ 36°

PWM	1,200 Hz
LED Lifespan	60,000 hours

Effects

Dimming	0~100%
Pixel Control	Yes
Strobe	0.5~26 Hz

Zoom	Motorised, 4°~36°
------	-------------------

Movement

16-bit auto reposition	
Pan	630° (1.56s)/540° (1.3s)
Tilt	265° (0.85s)

Power

Input Voltage	100~240 V AC, 50/60 Hz, 615 W
Connection	Neutrik® powerCON in

Control

Operation Modes	DMX, auto, sound active, master/slave
Preset Colour Temp.	2,000~2,700 K, 3,200 K, 4,200 K, 5,600 K, 8,000 K
Control Protocol	DMX512, RDM, Art-Net, (optional: W-DMX™)
DMX Channels	19/21/22/99
Control Interface	5-pin XLR, Ethernet
Display	2.4" colour LCD control panel with battery power
Software	Upgradable via DMX

Housing

Housing Materials	ABS and steel, matte black finish
Cooling	Multi-sensor thermostat controlled variable speed fan

IP Rating	IP20
-----------	------

Net Weight	21 kg
------------	-------

Rigging	2x omega brackets with ¼ turn quick locks
---------	---

