



## WASH MOVING HEAD

LM7X12W

## USER MANUAL



**For safety, please read this user manual carefully before initial use.**

Event Lighting reserves the right to revise the manual at any time. Information and specifications within this manual are subject to change without notice. Event Lighting assumes no liability or responsibility for any errors or omissions. Please consult Event Lighting

for any clarification or information regarding this item.

[www.event-lighting.com.au](http://www.event-lighting.com.au)

---

# Safety Instructions

## WARNING

- Do not open this device, there is no user-serviceable parts inside. Risk of electric shock.
- Do not look at the light source when the device is on.
- **CAUTION:** This unit's housing may be hot during and after operation.
- Install this device in a location with adequate ventilation, at least 20 inch (50 cm) from adjacent surfaces.
- Do not leave any flammable material within 50 cm of this unit while operating or connected to power.
- Use a safety chain when mounting this device overhead.
- Do not operate this device outdoors or in any location where dust, excessive heat, water, or humidity may affect it.
- Do not operate this device if the housing, lenses, or cables appear damaged.
- Do not connect this device to a dimmer or rheostat.
- **ONLY** connect this device to a grounded and protected circuit.
- **ONLY** use the hanging bracket to carry this device.
- In case of a serious operating problem, stop using immediately.
- The maximum ambient temperature is 104° F (40° C). Do not operate this device at higher temperatures.

## Power Input & Power Linking

This device has an auto-switching power supply work with input voltage range of 100~240 VAC, 50/60 Hz.

Link up to the maximum 8A. DO NOT exceed this.

## Fuse Replacement

If the fine-wire fuse of the device fuses, only replace the fuse by a fuse of same type and rating.

Before replacing the fuse, unplug mains lead.

### Procedure:

Step 1: Unscrew the fuse holder on the rear panel with a fitting screwdriver from the housing (anticlockwise).

Step 2: Remove the old fuse from the fuse holder.

Step 3: Install the new fuse in the fuse holder.

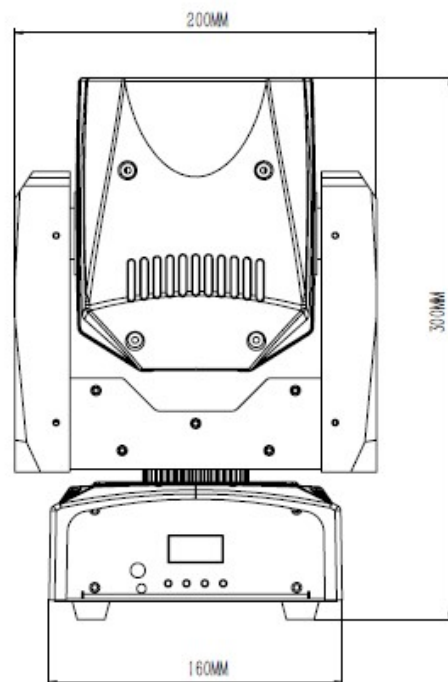
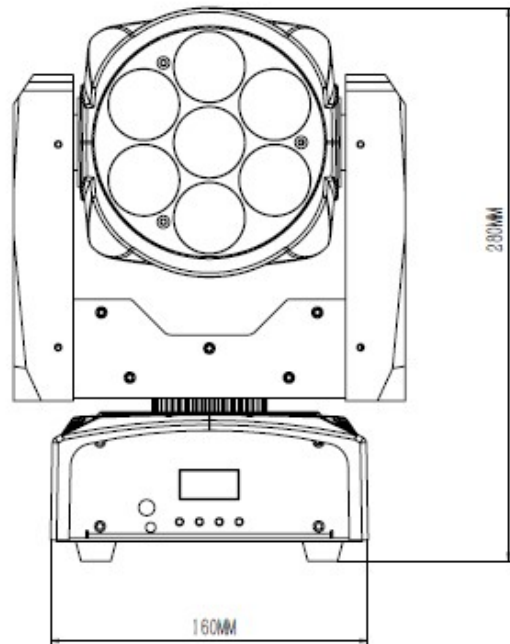
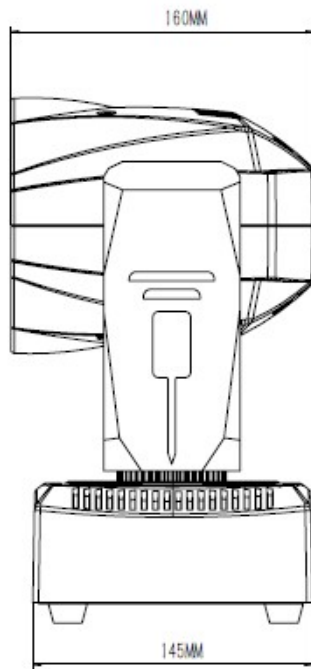
Step 4: Replace the fuse holder in the housing and fix it.

# Product Installation

This device can be mounted in many orientations provided each individual device is secured by the use of correct mounting bracket.

Use a safety chain when mounting this device overhead.

## Product Dimensions



## Menu Operation

	Display	Function	
1.DMX Address	001- 512	Select DMX address from 001 to 512	
2.Speed Mode	Fade Speed / Fast Speed	Set movement speed (Slow or Fast)	
3.Master/Slave	Master / Slave	Select Master or Slave mode	
4.Auto Mode	Program1 - Program8	Select built-in program	
5.Sound Mode	OFF / ON	Set sound active mode	
6.Pan Rev	OFF / ON	Reverse Pan	
7.Tilt Rev	OFF / ON	Reverse Tilt	
8.Display Rev	OFF / ON	Reverse display	
9.Sensitivity	000 - 100	Set sound sensitivity level	
10.Factory Reset	OFF / ON	Restore settings to factory default	
11.Calibration	All To Origin	Clear PAN and TILT Home Position after 3s	
	Pan	000-120	Set calibration for Pan
	Tilt	000-120	Set calibration for Tilt
	Focus	000-120	Set calibration for Focus
13.Reset		Reset	

## DMX Chart

15 channel Mode

Channel	Value	Function
1	000 - 255	Pan Coarse
2	000 - 255	Pan Fine
3	000 - 255	Tilt Coarse
4	000 - 255	Tilt Fine
5	000 - 255	XY SPEED
6	000 - 255	Dimmer(0-100%)
7	000 - 009	Shutter closed
	010 - 245	Strobe effect slow to fast
	246 - 255	Shutter open
8	000 - 255	Red
9	000 - 255	Green
10	000 - 255	Blue
11	000 - 255	White
12	000 - 255	Color Temp
13	000 - 010	closed
	011 - 020	R
	021 - 030	G
	031 - 040	B
	041 - 050	W

	051 - 060	R+G
	061 - 070	G+B
	071 - 080	B+W
	081 - 090	R+B
	091 - 100	G+W
	101 - 110	R+W
	111 - 120	R+G+B
	121 - 130	R+G+W
	131 - 140	G+B+W
	141 - 150	RGBW
	151 - 255	Jump from slow to fast
14	000 - 010	Macro Color Line (Disable)
	011 - 255	Slow from slow to fast
15	000 - 020	No Function
	021 - 040	Internal program 1
	041 - 060	Internal program 2
	061 - 080	Internal program 3
	081 - 100	Internal program 4
	101 - 120	Internal program 5
	121 - 140	Internal program 6
	141 - 160	Internal program 7
	161 - 180	Internal program 8
	181 - 200	Empty
	201 - 225	Motor Reset
	226 - 255	Empty
16	0-255	Focus

---

# Technical Specifications

## Power

Input Voltage: 100~240V AC, 50/60 Hz

Power Consumption: 95W

Connection: IEC in

Fuse: T2A, 250V

## Photometric

Light Source: 7 pcs 12W RGBW LED

Beam Angle: 6° - 40°

Output: 9500lux @ 3M

PWM: 3000Hz

LED Lifespan: 20,000 hours

## Effects

Dimming: 0~100%

Strobe: 1~20 Hz

Zoom: 6° - 40°

## Movement 8 / 16 – bit

Pan: 540° (1.4 sec)

Tilt: 190° (0.8 sec)

## Control

Protocol: DMX512

DMX Channels: 16

Interface: 3-pin XLR in & out

Built-in Programming: Yes

Sound Active: Yes

Display: 4-button 1 inch OLED display control panel

Cooling: Fan

## Housing

Materials: Metal & Flame retardant ABS

Finishing: Matte black

IP rating: IP20

Net Weight: 4 kg

Overall Size: 300 x 200 x 160 mm

# WARRANTY

Please refer to your local dealer or please contact Event Lighting Pty Ltd

Website: [www.event-lighting.com.au](http://www.event-lighting.com.au).