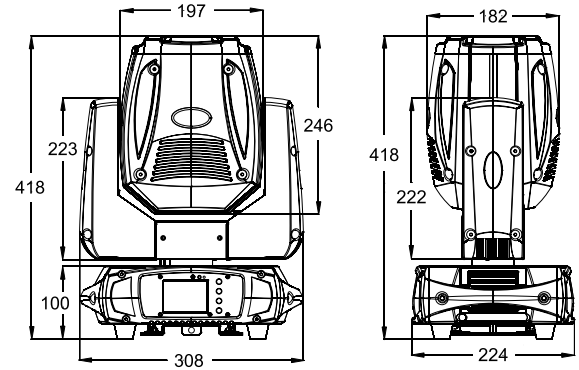


LM180

180W LED SPOT
MOVING HEAD



Colour Wheel



Static GOBO Wheel



Rotating GOBO Wheel



www.event-lighting.com.au

Power

Input Voltage	90-260V AC, 50/60Hz
Power Consumption	225W
Connection	PowerCon in/out

Photometric

Light Source	180W white LED 7,500K
Beam Angle	16°
Output	19,120lux @ 2.5m
PWM	1,000Hz
LED Lifespan	50,000hours

Colour

1 colour wheel (7 colours + open)

Gobo

Fixed	1 x (8 + open) fixed gobo wheel
Rotating	1 x (6 + open) interchangeable rotating gobo wheel (outside Ø24mm, inside Ø17mm)

MISC (Optional)

Road case	LM2CASE180
-----------	------------

Effects

Prism	3-facet
Dimming	0-100%
Strobe	1.2-17Hz
Focus	2.5-30m linear via DMX

Movement

Pan	8/16bit, auto-reposition
Pan	360°/540°/630°
Tilt	90°/180°/270°
Limit mode	Centre/Corner/Edge

Control

Protocol	DMX512
DMX Channels	14/16
Interface	3-pin XLR in/out
Auto Program	Yes
Sound Active	Yes
Display	4-button 2.4inch TFT LCD display control panel

Housing

Materials	Metal & flame retardant ABS
Finishing	Matte black
IP rating	IP20
Cooling	Fan
Net Weight	10.5kg
Rigging	2pcs omega brackets with 1/4-turn quick locks

Lux Chart @ 16°

2.5m	5m	7.5m	10m	20m
Ø0.70	Ø1.41	Ø2.11	Ø2.81	Ø5.62
19,120	4,780	2,150	1,210	540