

# EVENT LIGHTING

**LED Fresnel**

F300IIWW

**USER MANUAL**



**For safety, please read this user manual carefully before initial use.**

Event Lighting reserves the right to revise the manual at any time. Information and specifications within this manual are subject to change without notice. Event Lighting assumes no liability or responsibility for any errors or omissions. Please consult Event Lighting for any clarification or information regarding this item.

[www.event-lighting.com.au](http://www.event-lighting.com.au)

Ver M1.8.0

# CONTENTS

## Safety Instructions

- Power Input & Power Linking
- Product installation

## Product Installation

- Fuse replacement

## Product appearance

- Lux Chart
- Dimensions

## Control Board Operation

- DMX Addressing
- DMX Modes
- Dimmer Curves
- Static Settings

## DMX Values

## Technical Specifications

## Warranty

## Safety Instructions

### WARNING

- Do not open this device, there is no user-serviceable parts inside. Risk of electric shock.
- Do not look at the light source when the device is on.
- **CAUTION:** This unit's housing may be hot during and after operation.
- Install this device in a location with adequate ventilation, at least 20 inch (50 cm) from adjacent surfaces.
- Do not leave any flammable material within 50 cm of this unit while operating or connected to power.
- Use a safety chain when mounting this device overhead.
- Do not operate this device outdoors or in any location where dust, excessive heat, water, or humidity may affect it.
- Do not operate this device if the housing, lenses, or cables appear damaged.
- Do not connect this device to a dimmer or rheostat.
- **ONLY** connect this device to a grounded and protected circuit.
- **ONLY** use the hanging bracket to carry this device.
- In case of a serious operating problem, stop using immediately.
- The maximum ambient temperature is 104° F (40° C). Do not operate this device at higher temperatures.

### Power Input & Power Linking

This device has an auto-switching power supply work with input voltage range of 100~240 VAC, 50/60 Hz. Link up to the maximum 8A. DO NOT exceed this.

### Fuse Replacement

If the fine-wire fuse of the device fuses, only replace the fuse by a fuse of same type and rating. Before replacing the fuse, unplug mains lead.

#### Procedure:

Step 1: Unscrew the fuse holder on the rear panel with a fitting screwdriver from the housing (anticlockwise).

Step 2: Remove the old fuse from the fuse holder.

Step 3: Install the new fuse in the fuse holder.

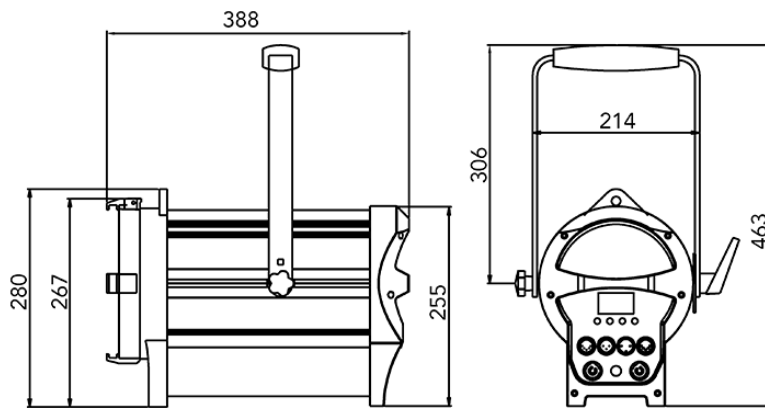
Step 4: Replace the fuse holder in the housing and fix it.

### Product Installation

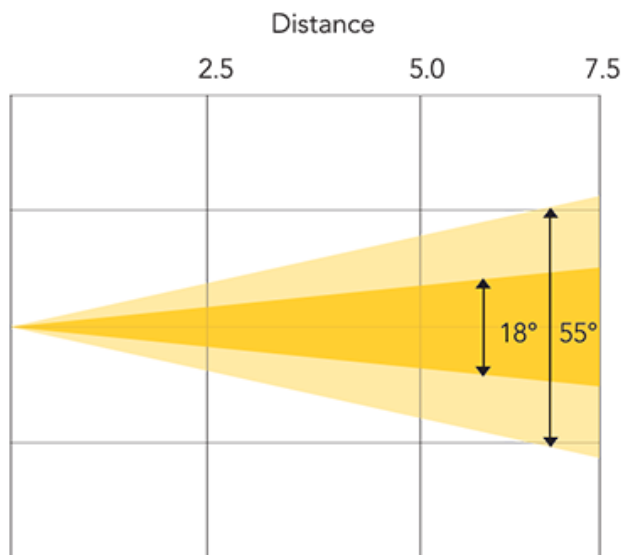
This device can be mounted in many orientations provided each individual device is secured by the use of correct mounting bracket.

Use a safety chain when mounting this device overhead.

## Dimensions

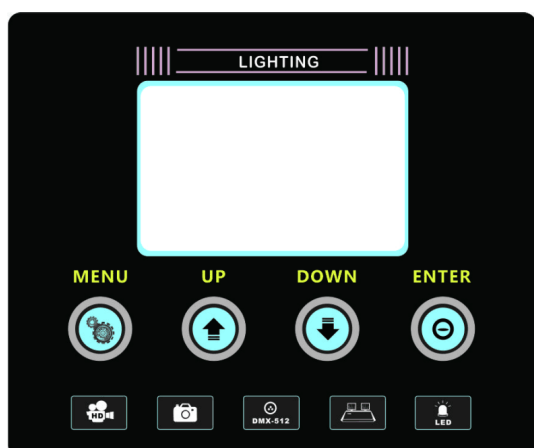


## Lux Chart



LUX @ 18°	Ø 0.80	Ø 1.60	Ø 2.38
	9,975	2,500	1,108
LUX @ 55°	Ø 2.60	Ø 5.20	Ø 7.8
	3,885	971	432

## CONTROL BOARD OPERATION



Press the Menu until one of the following had been displayed:

Function	Values	Description
DMX	001 – 512	Set DMX Address.
CHAN	02CH, 03CH, 04CH	Set DMX Channel Mode.
MANUAL	DIM: 000 - 255 D_F: 000 - 255 STO: 000 - 255	Manually set intensity of Dimmer (0 = off, 255 = brightest). Manually set intensity of Dimmer Fine (0 = off, 255 = brightest). Manually set speed of Strobe (0 = off, 255 = fastest).
TUNGSETE	ON, OFF	On - the light will gradually adjust to the desired brightness. Off - the light adjusts to the desired brightness instantly.
CURVE	Linear, S, Log	Select the dimming curve between Linear, S and Log.
MOTOR	000 – 255	Adjust the zoom
RESET	NO, Yes	Reset all settings to factory default.
TEMP	Cur: NNN	Displays the current temperature in degrees Celsius.
FAN	NNN – Speed Auto / Silent	Displays the current fan speed. Select between Auto and Silent fan modes.
VERSION	M1.8.0	Displays the current firmware version.

Use “Up” and “Down” buttons to select your desired operation, then press “Enter”.

## DMX VALUES

### 2 channel mode

Channel	Value	Function
1	000-255	Dimmer Coarse
2	000-255	Zoom

### 3 channels mode

Channel	Value	Function
1	000-255	Dimmer Coarse
2	000-255	Zoom
3	000-255	Dimmer Fine

### 4 channels mode

Channel	Value	Function
1	000-255	Dimmer Coarse
2	000-255	Zoom
3	000-255	Dimmer Fine
4	000-255	Strobe

## TECHNICAL SPECIFICATIONS

### Power

- Power Consumption: 300W
- Input Voltage: 100 - 240V AC, 50/60 Hz
- Power Connection: Seetronic® True 1 in / out

### Photometrics

- Light Source: 3,200K 300W COB LED
- CRI: 97
- Beam Angle: 18° - 55°
- Field Angle: 45° - 80°
- Lens: 120mm Fresnel
- Output (@2.5M at 18°): 9,975 lux
- PWM: 8,000 Hz
- LED Lifespan: 50,000 hours

### Effects

- Diming: 0 - 100%, 8-bit / 16-bit
- Strobe: 1 Hz - 25 Hz
- Zoom: Electronic Linear 18° - 55°
- Barn Door: Included
- Gel Frame: Included

### Control

- Operation: DMX, Manual & Master / Slave
- Display: 4-Button LCD Control Panel
- DMX Protocol: DMX512
- DMX Channels: 1/2/3
- DMX Interface: 3-pin & 5-pin XLR

## **Housing**

- Housing Materials: Aluminium
- Housing Finish: Matte Black
- Cooling: Sensor Thermostat Controlled Variable Speed Fan
- Dimension: 388 X 214 X 463 mm
- Net Weight: 6.5 kg

## **WARRANTY**

**Please refer to your local dealer or please contact Event Lighting Pty Ltd**



**Website: [www.event-lighting.com.au](http://www.event-lighting.com.au).**