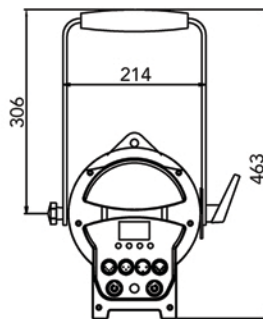
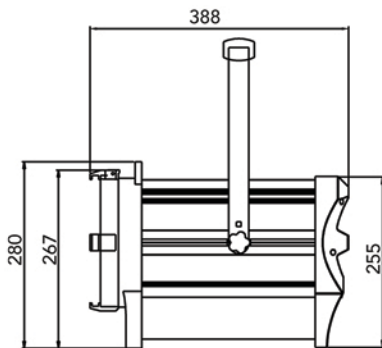
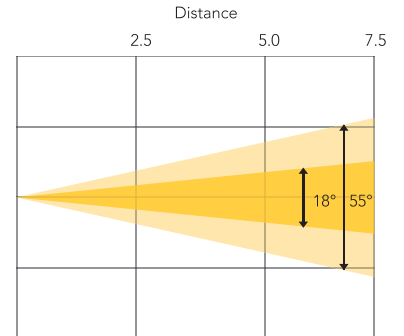


F300IIWW

300W LED Fresnel with Profile Zoom



	Ø 0.80	Ø 1.60	Ø 2.38
LUX @ 18°	9,975	2,500	1,108
LUX @ 55°	3,885	971	432

MODEL F300IIWW

Description 300W Warm White LED Fresnel with Electronic Zoom

Series Fresnel

POWER

Power Consumption 300W
 Input Voltage 100 – 240V AC 50 / 60Hz
 Power Connection Seetronic® True 1 In / Out

PHOTOMETRICS

Light Source 3,200K 300W COB LED
 CRI 97
 Beam Angle 18° - 55°
 Field Angle 45° - 80°
 Lens 120mm Fresnel
 Output (@2.5M at 18°) 9,975 lux
 PWM 8,000 Hz
 LED Lifespan 50,000 hours

EFFECTS

Dimming 0 - 100%, 8-bit / 16-bit
 Strobe 1 Hz - 25 Hz
 Zoom Electronic Linear 18° - 55°
 Barn Door Included
 Gel Frame Included

CONTROL

Operation DMX, Manual & Master / Slave
 Display 4-Button LCD Control Panel
 DMX Protocol DMX512
 DMX Channels 1 / 2 / 3
 DMX Interface 3-Pin and 5-Pin XLR

HOUSING

Housing Materials Aluminium
 Housing Finish Matte Black
 Cooling Sensor Thermostat Controlled
 Variable Speed Fan
 Dimension (mm) 388 X 214 X 463
 Net Weight (kg) 6.5

