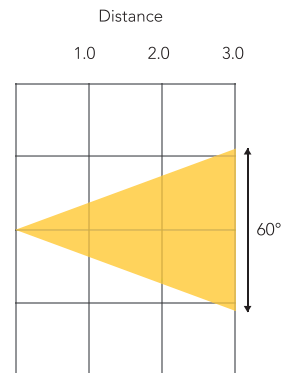
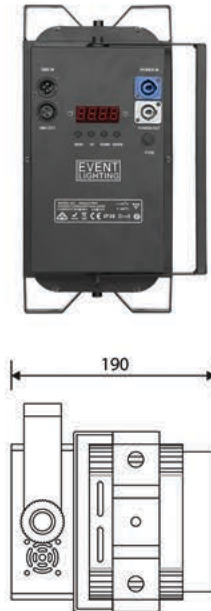
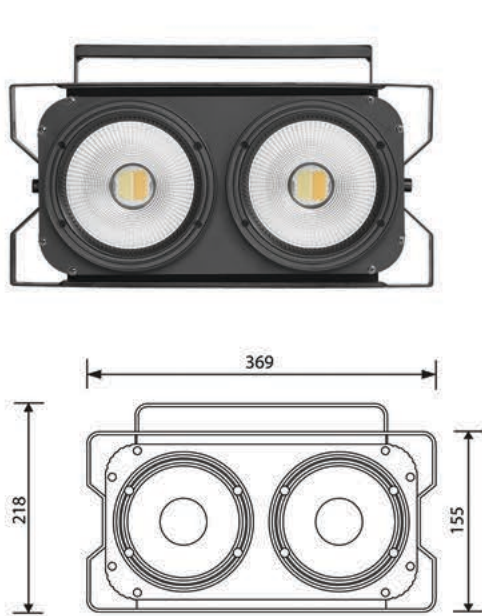




BLINDER2100W

2X 100W Cool & Warm White COB LED Pixel Control Blinder



LUX @ 60°	∅ 1.15	∅ 2.31	∅ 3.46
Warm White	5,620	1,520	614
Cool White	6,610	1,730	682
Full	12,500	3,250	1,280

MODEL BLINDER2100W

Description 2X 100W Cool & Warm White
COB LED Pixel Control Blinder
Series Blinder

POWER

Power Consumption 235W
Input Voltage 100 – 240V AC 50 / 60Hz
Power Connection PowerCON In / Out

PHOTOMETRICS

Light Source 2X 100W 3200K / 6500K 2-in-1
COB LEDs
Beam Angle 60°
Output (@3M) 1,280 lux
PWM 3,000 Hz
LED Lifespan 50,000 hours

EFFECTS

Dimming 0 - 100%
Strobe 0 Hz - 25 Hz

CONTROL

Operation DMX, Static, Auto Program &
Master / Slave
Display 4-Button LED Control Panel
DMX Protocol DMX512
DMX Channels 4 / 8
DMX Interface 3-Pin XLR

HOUSING

Housing Materials Steel
Housing Finish Matte Black
Dimension (mm) 369 X 218 X 190
Net Weight (kg) 5

