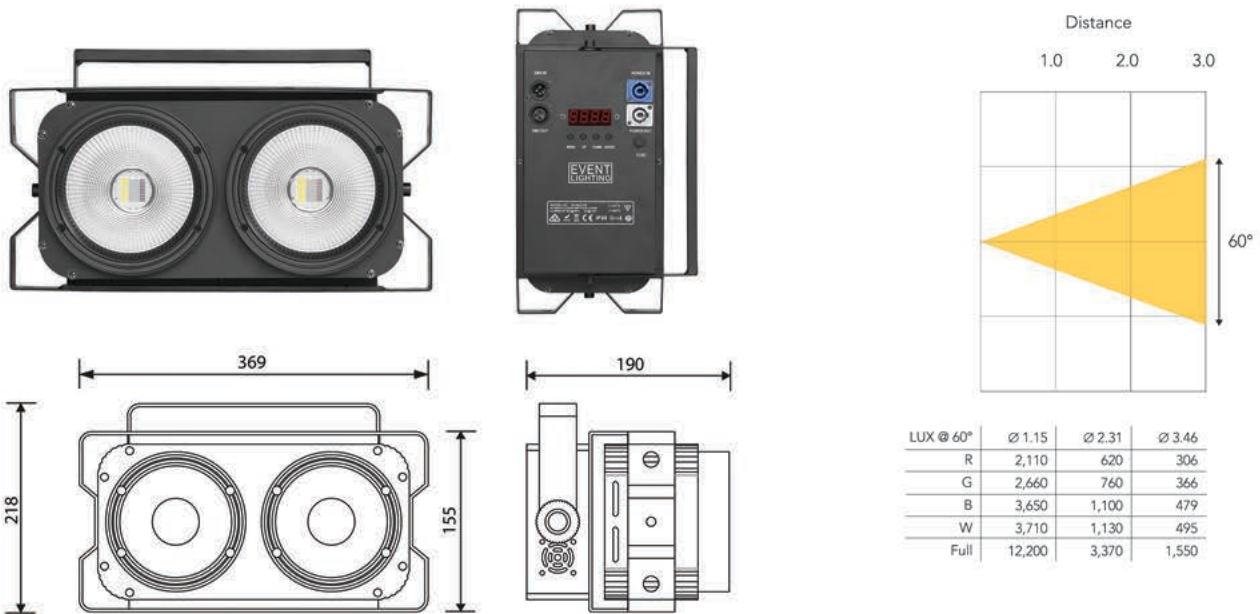




# BLINDER2100

2X 100W RGBW COB LED Pixel Control Blinder



LUX @ 60°	Ø 1.15	Ø 2.31	Ø 3.46
R	2,110	620	306
G	2,660	760	366
B	3,650	1,100	479
W	3,710	1,130	495
Full	12,200	3,370	1,550

**MODEL** BLINDER2100

Description 2X 100W RGBW COB Pixel Control LED Blinder  
Series Blinder

**POWER**

Power Consumption 235W  
Input Voltage 100 – 240V AC 50 / 60Hz  
Power Connection PowerCON In / Out

**PHOTOMETRICS**

Light Source 2X 100W RGBW 4-in-1 COB LEDs  
Beam Angle 60°  
Output (@2M) 1,550 lux  
PWM 3,000 Hz  
LED Lifespan 50,000 hours

**EFFECTS**

Dimming 0 - 100%  
Strobe 0 Hz - 25 Hz

**CONTROL**

Operation DMX, Static, Auto Program & Master / Slave  
Display 4-Button LED Control Panel  
DMX Protocol DMX512  
DMX Channels 8 / 12  
DMX Interface 3-Pin XLR

**HOUSING**

Housing Materials Steel  
Housing Finish Matte Black  
Dimension (mm) 369 X 218 X 190  
Net Weight (kg) 5

