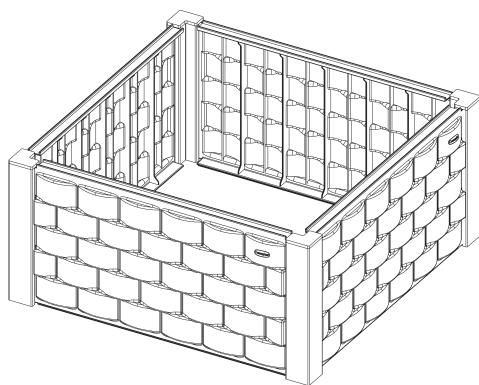




Trusted Quality Since 1970

User Manual

Garden Bed Square







CARE AND SAFETY

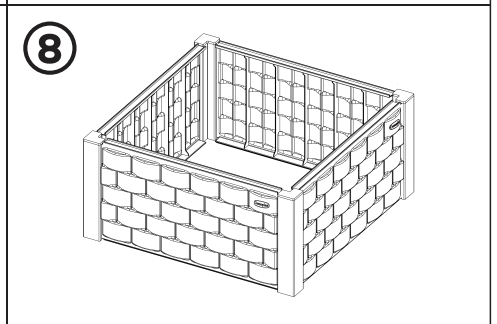
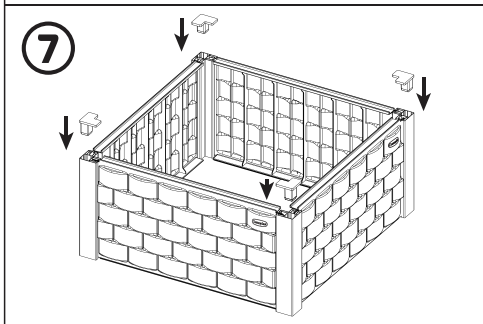
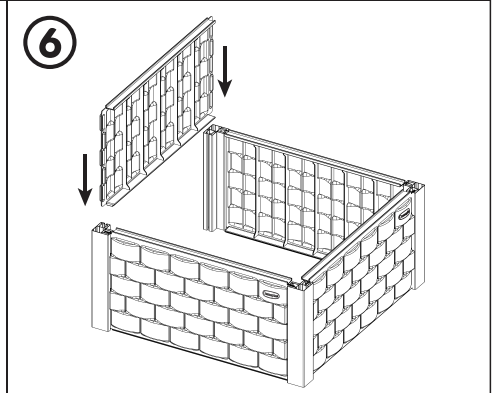
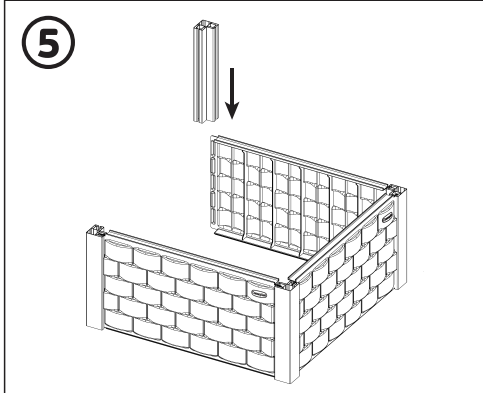
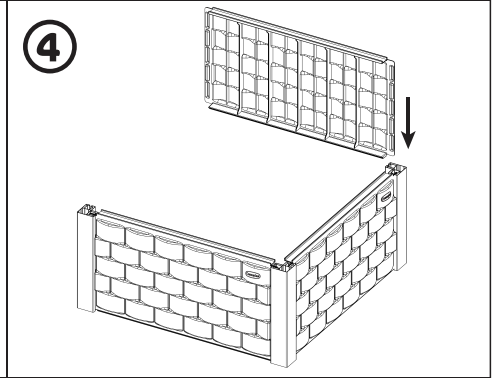
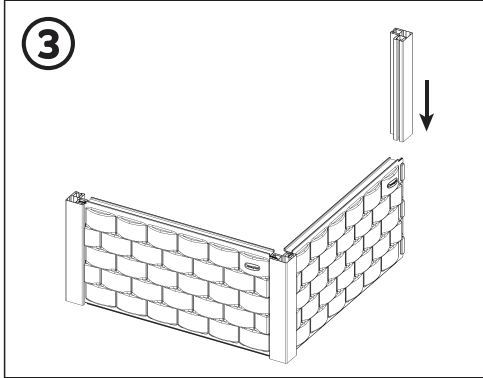
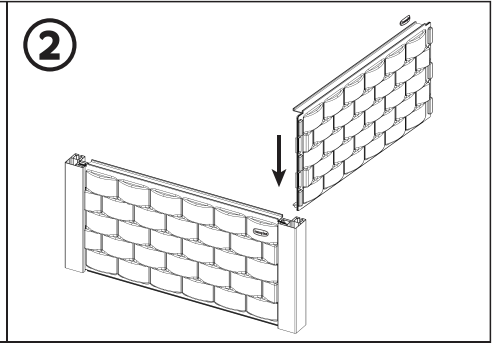
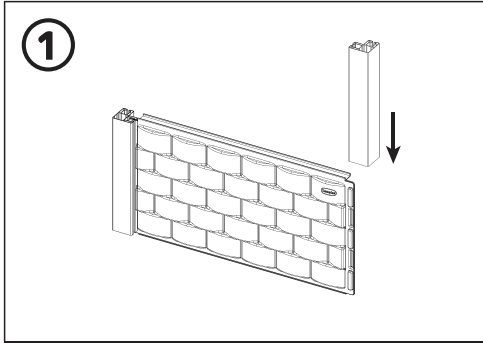
- Apply the corner caps to cover sharp edges for safety reasons.
- To mitigate the effect of sunlight, UV stabilizers are added.
- To maintain the garden bed, simply use water.
- In case of fire, do not attempt to extinguish any burning polypropylene with water.

LIMITED 1-YEAR WARRANTY

Cosmoplast has built its reputation through its commitment to bringing quality, durability, and innovation to its products since 1970. We ensure that the product confirms to highest quality and reliability standards before it reaches the customer. However, in case any defect is noticed during assembly or usage, please contact us through email, social media, or by phone. Our warranty is valid for one year from the initial date of purchase, and a proof of purchase should be presented. The warranty covers any fading and rotting of the garden panels; damages caused by neglect, incorrect assembly, or use of force are excluded from the warranty.

| Parts | | Pieces |
|-------------|---|--------|
| Panels |  | 4 |
| Corner Caps |  | 4 |
| Corners |  | 4 |

 Please contact Cosmoplast if you have any problem or discover any missing parts.





Trusted Quality Since 1970

Cosmoplast Industrial Co. (L.L.C),

P.O Box: 6032, Sharjah, United Arab Emirates,

☎ +971-6-5331264, ✉ cplast@cosmoplast.com

🌐 www.cosmoplast.com  @CosmoplastMiddleEast